

GUIDE POST (For Ropes) SPECIFICATION

- ✓ A free standing guide post for attaching ropes to create an elegant barrier for social distancing, customer flow or temporary access restrictions.
- ✓ S/steel mirror finish post and base with 4 way s/steel rope hook receiver to post top.
- ✓ Weighted stable base with integral rubber gasket, prevents floor damage.
- ✓ Guide post height 1070mm
- ✓ Rope hook receiver height 1057mm.
- ✓ Guide post base diameter 320mm.
- ✓ Braided guide rope with chrome hooks available: 1.5m long x Ø 28mm.
- ✓ Braided guide rope colours: Red (HGRR) Black (HGRB)
- ✓ Guide post with A4 vertical sign holder (HGPSH) available.
- ✓ Sign holder post option in chrome finish.
- ✓ Easily installed in many locations, as no electrical connection is required.



2 no. HGP Posts,
1 no. HGRR Rope
Shown.

Code	Description	Post Size (mm)	Weight (kg.)
HGP	1 no. Guide Post (for rope hooks) S/S Mirror Finish	1070(h) x Ø 51(w) x Ø 320 (base)	6.8

GUIDE ROPES

Code	Description	Rope Size (mm)	Weight (kg)
HGRR	1 no. Guide Rope @ 1.5m Red/Silver Hooks	1.5m(l) x Ø 28(w)	0.5
HBRB	1 no. Guide Rope @ 1.5m Black/Silver Hooks	1.5m(l) x Ø 28(w)	0.5



1 no. HGP Post,
1 no. HGRR Rope
Shown.

GUIDE POST (For Ropes) & A4 SIGN HOLDER (Portrait).

Code	Description	Post Size (mm)	Weight (kg)
HGPSH	1 no. Guide Post (for rope hooks) & A4 Sign Holder (chrome finish)	1425(h) x Ø 51(w) x Ø 320 (base)	8.7



1 no. HGPSH Post,
1 no. HGRR Rope
Shown.

GUIDE POST (For Ropes) & ELECTRONIC DISPENSER.

Code	Description	Post Size (mm)	Weight (kg)
HGPESD	1 no. Guide Post (for rope hooks) & Elec. Dispenser (chrome finish)	1280(h) x Ø 51(w) x Ø 320 (base)	7.7
ESPDP	OPTION: Dispenser 2M Plug (13A 230v)	*Uses 4 x AA Batteries Not Supplied*	

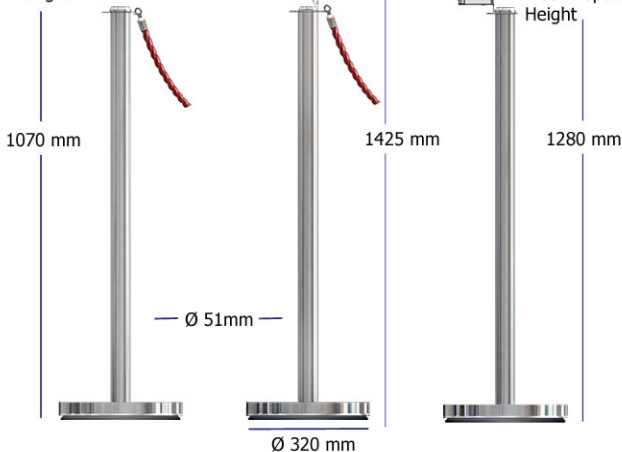


1 no. HGPESD Post,
1 no. HGRR Rope
Shown.

HGP: Guide Post Hook Receiver Height

HGPSH: Guide Post + Sign Holder Height

HGPESD: Guide Post + Elec. Dispenser Height



Barrier Equipment

GUIDE POSTS & ROPES/ HOOKS.



- * Guide Post (for ropes)
- * Elegant Mirror Steel Finish
- * 4 Way Rope Connector
- * Rope With Hooks Available
- * Red Or Black Rope
- * A4 Sign Holders Available
- * Solid Weighted Base
- * Won't Damage Floors

Guide Posts & Ropes/ Hooks.

CED's elegant mirror finished stainless steel guide posts and braided guide ropes are specially designed to help form waiting lines, direct the flow of crowds, control access and enhance safety. These robust, independent and flexible barrier solutions clearly identify waiting areas and can be inter-connected in four different directions, via the four way s/steel rope hook receiver on the post top.

Eye Catching Features. The solid, weighted, stable post base is hidden under a mirror finish outer cover. The base features an integral rubber gasket which prevents floor damage. The posts are linked together with hanging barrier ropes to cordon off the desired space. You can choose between classic red or black Ø 28mm braided guide ropes. Each rope is 1.5M long and features chrome circular clips at each end, for simple post connection.

GUIDE POST & A4 SIGN HOLDER

1 no. HGPSH Post,
1 no. HGRR Rope
Shown.



Guide Post & A4 Sign Holder. The mirror finished post top features a steel plated rope hook receiver, held in place by a threaded dome cap. Simply unscrew and then re-fit the cap to add the sign holder mounting bracket. The post can then be used as a barrier and also a communication point for your customers!

The A4 size, chrome finished sign holder is waterproof and portrait orientation. The visible printable area is 208 mm (w) x 295 mm (h).



GUIDE POST & ELECTRONIC DISPENSER

Guide Post & Electronic Dispenser.

Easy To Use. By placing your hands underneath the electronic dispenser, the infra red detection cell discharges a measured dose of sanitising gel. The dispenser is simple to refill too. The guide post features a large dispensing capacity of approx. 500 doses. The slotted window in the electronic dispenser provides easy monitoring of gel level. You can easily install or relocate the guide post and electronic dispenser in many

locations as there is no electrical connection.



The dispenser uses (4 x) AA batteries – not included. There is also an option for a UK plug with 2m electrical lead (Option Code ESPDP).

Other CED Hygiene & Barrier Equipment



CED Fabrications Limited
Units A1-A4 Falcon Court
Clayton Business Park
Clayton-Le-Moors
Hyndburn
Lancashire BB5 5JD

www.cedfabsltd.co.uk
sales@cedlimited.com

Download All Technical Drawings From
www.cedfabsltd.co.uk
Tel : 01254 238 282