



Installation, Operation & Maintenance Manual

Upright Refrigerator & Freezer

HEF546/HEF547 Upright Bottle Coolers

(HC gas R600/R290 used)

For warranty Tel: 03701 647647

Email address service@lockhartcatering.co.uk

**PLEASE READ THE MANUAL THOROUGHLY PRIOR TO
EQUIPMENT SET-UP, OPERATION AND MAINTENANCE.**

General Safety Tips

- All packaging should be disposed of in accordance with the regulations of local authorities. Keeping all packaging away from children.
- This appliance must be properly installed/positioned on a flat stable surface, away from heat source. Position on a flat, stable surface.
- If the supply cord is damaged, it must be replaced by a competent person or similarly qualified person.
- Avoid the use of extension cords. Do not run cord under carpeting, runners or the like. Arrange cord away from traffic area and where it will not create a tripping hazard.
- Always unplug the appliance when not in use and before cleaning, adjusting or maintaining this unit. To disconnect appliance, turn off switch and remove plug from the power source.
- Do not disconnect by pulling the cord or touch the power plug with wet hands.
- Do not use outdoors.
- Do not splash water on the appliance. Do not use jet/pressure washers to clean this unit. It may cause malfunction or electric shock.
- Do not disassemble, repair or alter the appliance. It may cause fire or abnormal operations. Any repair work should be carried by a qualified service agent.
- Do not use/store electrical appliances inside the appliance.
- Consult Local and National Standards to comply with
The following:
 - Health and Safety at Work Legislation
 - BS EN Codes of Practice
 - Fire Precautions
 - IEE Wiring Regulations
 - Building Regulations
- Do not use this appliance to store medical supplies or use for storage of explosive substances such as aerosol cans with a flammable propellant.
- Do not allow oil or fat to come into contact with the plastic components or door seal. Clean immediately if contact occurs.

INSTALLATION/ OPERATION

IMPORTANT!!! PLEASE READ BEFORE INSTALLATION

- If the unit has recently been transported please let unit stand still for a minimum of 24 hours before plugging it in.
- Make sure that the unit drops down to desired temperature before loading the unit with product.
- Make sure that there is proper ventilation around the unit in the area where it will operate.
- Make sure all accessories are installed (i.e. shelves, shelf clips, casters) before plugging the unit in.
- Please read through the manual in its entirety.

CABINET LOCATION GUIDELINES

■ **Install the unit on strong and leveled surfaces**

- unit may make unpleasant noises if surface is uneven
- unit may malfunction if surface is uneven

■ **Install the unit in an indoor, well-ventilated area**

- unit performs more efficiently in a well-ventilated area
- for best performance, please maintain clearance of 30 mm on the back of the unit
- outdoor use may cause decreased efficiency and damage to the unit

■ **Avoid installation in a high humidity and/or dusty area**

- humidity could cause unit to rust and decrease efficiency of the unit
- dust collected on condenser coil will cause unit to malfunction. Clean the condenser at least once a month with a brush or clean cloth
- malfunction due to dirty condenser will void warranty

■ **Select a location away from heat and moisture-generating equipment**

- high ambient temperatures will cause the compressor to overwork, leading to higher energy bills and gradual breakdown of the unit
- malfunction due to high ambient temperature will void warranty

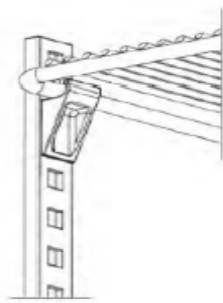


Figure 1.

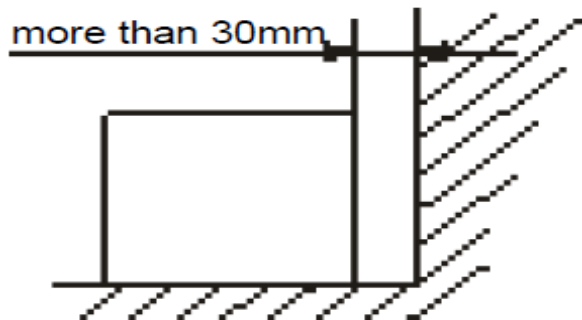


Figure 2.



Please dispose of all waste packaging appropriately and in accordance with all local recycling laws.

All electrical work must be carried out by suitably qualified persons

ELECTRICAL

Please ensure that the required voltage of the compressor is being always supplied. Low or high voltage can detrimentally affect the refrigeration unit.

All units should be plugged into a grounded and properly sized electrical outlet with appropriate overcurrent protection. Please refer to the electrical requirements on the nameplate of the unit. Please make sure that your unit has its own dedicated outlet. Do not use an extension cord.

TEMPERATURE CONTROLS

The temperature controls are factory-set to maintain an average temperature of 0 C in refrigerators. To maintain a different temperature, simply adjust the thermostat is located at

the control panel based on operation manual inside of cabinet.

CAUTION

Setting the temperature control to the coldest setting may cause the evaporator coil to freeze and ice up. This will eventually result in a warmer cabinet temperature.

LOADING PRODUCT

Shelves have been factory-installed for your convenience. Before loading shelves, please be sure that all shelf clips are completely fastened in their correct locations. It is important that all shelves rest completely level before stocking your cabinet with product.

In order to maintain correct air flow inside the unit, please be sure to leave 50 mm to 100 mm of space between the back wall and stored product. Blocking the evaporator fans will result in a warmer cabinet temperature, and ultimately compressor failure.



WARNING

Do **NOT** exceed the maximum shelf loading weight of 25kg per shelf, so as to avoid injury and/or damage.

DEFROST SYSTEMS

Refrigerator coils are kept below the freezing point (0 C). During compressor down-time, the evaporator fan continues to circulate air through the evaporator coil. This air circulation raises the coil temperature above the freezing point, melting any accumulated frost. Run-off water is drained into the evaporator pan and evaporated.

PLEASE NOTE: Excessive door openings should be avoided in order to maintain cabinet temperature and to eliminate the possibility of coil freeze-up.

SAFETY / WARNING

Please pay close attention to the safety notices in this section.

Disregarding these notices may lead to serious injury and/or damage to the unit.

ATTENTION

- To minimize shock and fire hazards, be sure not to overload outlet. Please designate one outlet for your unit.
- Do not use extension cords.
- Do not put your hands under the unit when the unit is required to be moved.
- When the unit is not in use for a long period of time, please unplug the unit from the outlet.

- After unplugging the unit, wait at least 10 minutes before re-plugging it. Failure to do so could cause damage to the compressor.

UNPLUG CORD

- To minimize shock and fire hazards, please do not plug or unplug the cord with wet hands.
- During maintenance and cleaning, please unplug the unit.

PROPER GROUNDING REQUIRED

- To minimize shock and fire hazards, make sure that the unit is properly grounded.

PROHIBITION

- Do not attempt to remove or repair any component unless instructed by factory.
- Make sure that the unit is not resting on or against the electrical cord and plug.
- To minimize personal injury, do not hang on the doors.
- Do not store any flammable and explosive gas or liquids inside the unit.
- Do not attempt to alter or tamper with the electrical cord.

REGULAR MAINTENANCE

CLEANING THE CONDENSER COIL

- For efficient operation, it is important that the condenser surface be kept free of dust, dirt, and lint.
- We recommend cleaning the condenser coil and fins at least once per month.
- Clean with a commercial condenser coil cleaner, available from any kitchen equipment retailer. Brush the condenser fins from top to bottom, not side to side.
- After cleaning, straighten any bent condenser fins with a fin comb.



Soft brush

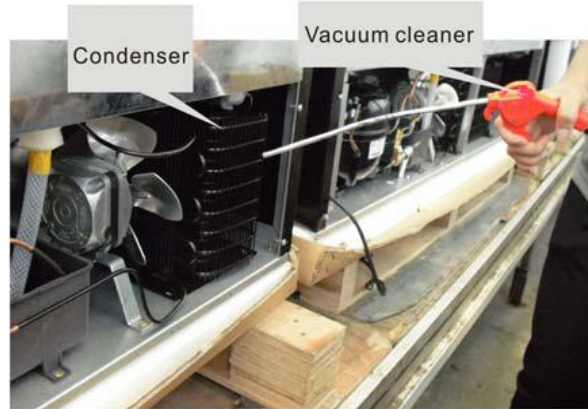


Vacuum cleaner



Soft brush

Condenser



Condenser

Vacuum cleaner

① Use soft brush to sweep

② Use vacuum cleaner

CLEANING THE FAN BLADES AND MOTOR

If necessary, clean the fan blades and motor with a soft cloth. If it is necessary to wash the fan blades, cover the fan motor to prevent moisture damage.

CLEANING THE INTERIOR OF UNIT

- When cleaning the cabinet interior, use a solvent of warm water and mild soap.
- Do not use steel wool, caustic soap, abrasive cleaners, or bleach that may damage the stainless steel surface.
- Wash door gaskets on a regular basis, preferably weekly. Simply remove door gasket from the frame of the door, soak in warm water and soap for thirty (30) minutes, dry with soft cloth, and replace.
- Check door gaskets for proper seal after they are replaced.
- Periodically remove the shelves and pilasters from the unit and clean them with mild soap and warm water. To remove the pilasters, first remove the shelves and shelf brackets. Then, simply lift the pilaster up and out.

WARNING

Disconnect power cord before cleaning any parts of the unit.

TROUBLE SHOOTING

Before requesting any service on your unit, please check the following points. Please note that this guide serves only as a reference for solutions to common problems.

SYMPTOM	POSSIBLE CAUSE	CORRECTIVE ACTION
Compressor not running.	Fuse blown or circuit breaker tripped. Power cord unplugged. Thermostat set too high. Cabinet in defrost cycle.	Replace fuse or reset circuit breaker. Plug in power cord. Set thermostat to lower temperature. Wait for defrost cycle to finish.
Condensing unit runs for long periods of time.	Excessive amount of warm product placed in cabinet. Prolonged door opening or door ajar. Door gasket(s) not sealing properly. Dirty condenser coil. Evaporator coil iced over.	Allow adequate time for product to cool down. Ensure doors are closed when not in use. Avoid opening doors for long periods of time. Ensure gaskets are snapped in completely. Remove gasket and wash with soap and water. Check condition of gasket and replace if necessary. Clean the condenser coil. Unplug unit and allow coil to defrost. Make sure thermostat is not set too cold. Ensure that door gasket(s) are sealing properly.
Cabinet temperature is too warm.	Thermostat set too warm. Blocking air flow. Excessive amount of warm product placed in cabinet. Fuse blown or circuit breaker tripped. Dirty condenser coil. Prolonged door opening or door ajar.	Set thermostat to lower temperature. Re-arrange product to allow for proper air flow. Make sure there is at least 50 mm of clearance from evaporator. Allow adequate time for product to cool down. Replace fuse or reset circuit breaker. Clean the condenser coil. Ensure doors are closed when not in use. Avoid opening doors for long periods of time. (see above)

	Evaporator coil iced over.	
Cabinet is noisy.	Loose part(s). Tubing vibration.	Locate and tighten loose part(s). Ensure tubing is free from contact with other tubing or components.



Caution!

Consult repair manual/owner's guide before attempting to install or service this product. All safety precautions must be followed. Dispose of properly in accordance with federal or local regulations. Risk of fire or explosion due to puncture of refrigerant tubing. Follow handling instructions carefully.

Danger!

Risk of fire or explosion. Flammable refrigerant used. To be repaired only by trained service personnel. Do not use mechanical devices to defrost refrigerator. Do not puncture refrigerant tubing.

Disposal



EU regulations require refrigeration product to be disposed of by specialist companies who remove or recycle all glasses, metal and plastic components.

Consult your local waste collection authority regarding disposal of your appliance. Local authorities are not obliged to dispose of commercial refrigeration equipment but may be able to offer advice on how to dispose of the equipment locally.

All packaging materials should be disposed of in an environmentally friendly way.

The cardboard may be used as scrap paper. The protective foil and the foam cushions are

CFD-free.

Do not allow children to play with the packaging and destroy plastic gags safely.



Environmental protection

Discarded electric appliances are recyclable and should not be discarded in the domestic waste! Please actively support us in conserving resources and protecting the environment by returning this appliance to the collection's centers (if available).

Compliance

Parts have undergone strict product testing in order to comply with regulatory standards and

specification set by
international, independent, and federal authorities.
Products have been approved to carry the following symbol:

