



One Series

E143i Induction Range

Key features

- 4 x 1.85kW heat zones with 3kW boost function
 - Instant heat and fast heat up times
- In-built pan detection
 - No heat generated until a pan is placed on the hob, meaning no wasted energy
- 6mm toughened glass hob
 - Robust and spillages simply wipe clean, no scrubbing required
- Temperature is precisely controllable
 - Change from gentle simmer to rolling boil almost instantly
- Low cooking surface temperature and no naked flames
 - Safer for kitchen staff as reduced risk of burns
- Very little heat emitted into kitchen
 - Contributes to a more pleasant working environment and existing ventilation doesn't have to work as hard
- 1/1 GN compatible 3.2kW fan-assisted oven
 - Five shelf positions, 2 shelves supplied
- Oven has glass-panelled door
 - Monitor cooking progress without losing heat from the oven
- Option to have oven door open to right or left
 - Pick the model to suit your kitchen layout

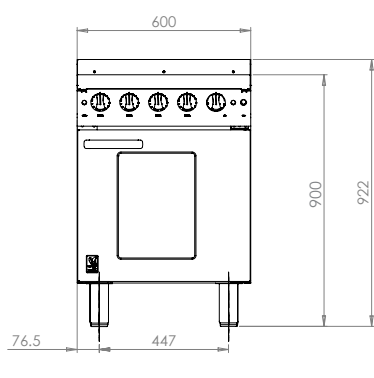
Accessories

- Oven shelf
- Factory fitted, adjustable castors

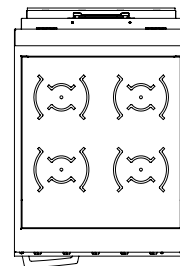
Similar Models

- E161i 6 x 1.5kW zone induction range
- E163i 6 x 1.85kW zone induction range
- E1403i 4 x 1.85kW zone boiling top





Measurements *in mm*



Unit on castors is the same hob height

Specification *details*

Electrical rating (kW)	10.6	
Electrical supply voltage	400V 3N~	
Required electrical supply (A)	16A	
Electrical current split (A)	L1: 13.9, L2: 16 L3: 16	
Element rating - hob (kW)	1.85 x 4	
Element rating - oven (kW)	3.2	
Oven dimensions (w x d x h - mm)	460 x 570 x 420	
Oven shelf (w x d - mm)	325 x 530	
Gastronorm compatibility	1/1	
Heat zone diameter (mm)	180	
Minimum pan size (mm)	120	
Weight (kg)	72	
Packed weight (kg)	85	
Packed dimensions (w x d x h - mm)	700 x 1000 x 1100	
GTIN numbers	On feet	On castors
	5056466907556	5056466907563

Installation notes

Adequate ventilation must be provided to supply sufficient fresh air and to allow easy removal of any such products that may present a risk to health. Please consult current legislation for details that relate to specific locations

Install unit on a level, fireproof surface in a well-lit position. If floor is made of a combustible material, local fire requirements must be checked to ensure compliance.

A clearance of 150mm should be observed between appliance and any combustible wall.

