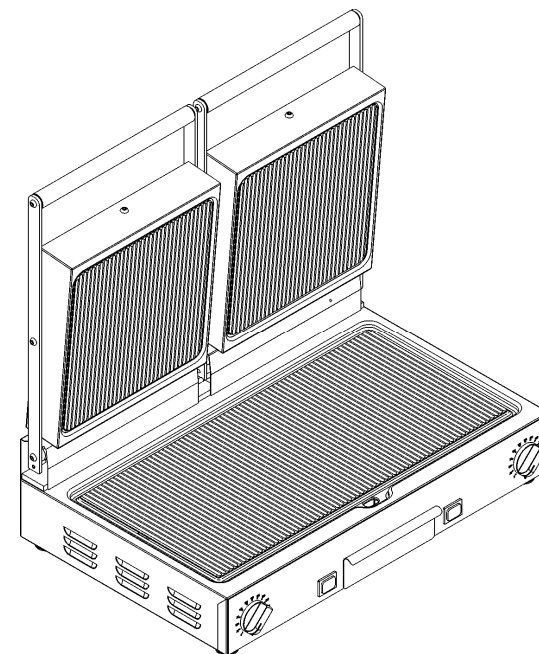


**SERVICE CENTRE
AUTHORISED DEALER**

OPERATING AND MAINTENANCE MANUAL



Ed. 04/2012

**CERAMIC GLASS GRILLS
mod.PD VC**

CHAP. 9 - ELECTRICAL CIRCUIT DIAGRAM

9.1- 220-240V ELECTRIC CIRCUIT DIAGRAM

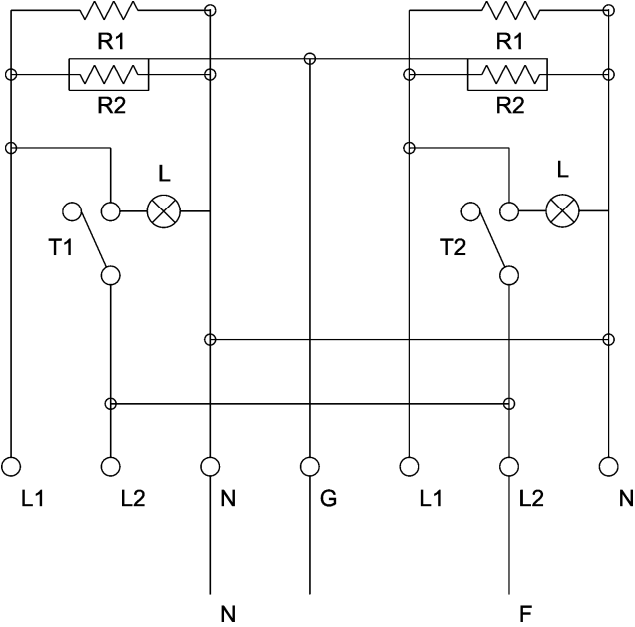


Fig. n°7

CHAP. 8 - DISPOSAL OF THE MACHINE

8.1 - PUTTING THE MACHINE OUT OF SERVICE

If for some reason, you decide to put the machine out of service, make sure nobody can use it: **disconnect it from the mains and eliminate the electrical connections.**



8.2 - WEEE Waste of Electric and Electronic Equipment

Directive 2002/95/EC, 2002/96/EC and 2003/108/EC on the restriction of the use of certain hazardous substances in electrical and electronic equipment, and waste electrical and electronic equipment.

This symbol, crossed out wheeled bin, on the product or on its packaging indicates that this product must not be disposed of with your other household waste.

Separate waste collection of this appliance is organised and managed by the manufacturer. It is the user's responsibility to contact the manufacturer and follow the waste treatment system the manufacturer has adopted for separate waste collection.

The separate collection and recycling of your waste equipment at the time of disposal will help to conserve natural resources and ensure that it is recycled in a manner that protects human health and the environment.

INTRODUCTION

- *This manual is meant to provide **customers** with information on the machine and its specifications and the necessary operating and maintenance instructions in order to guarantee the best possible use of the machine and preserve its efficiency in the long term.*
- *This manual is to be used by qualified and skilled people well informed about the use of the machine and its periodical maintenance.*

CONTENTS

CHAP. 1 - INFORMATION ON THE MACHINE	pag. 5
1.1 - GENERAL PRECAUTIONS	
1.2 - SAFETY DEVICES INSTALLED ON THE MACHINE	
1.2.1 - electrical safety devices	
1.3 - DESCRIPTION OF THE MACHINE	
1.3.1 - general description	
1.3.2 - manufacturing features	
1.3.3 - machine components	
CHAP. 2 - TECHNICAL DATA	pag. 8
2.1 - OVERALL DIMENSIONS, WEIGHT, CHARACTERISTICS...	
CHAP. 3 - THE ARRIVAL OF THE MACHINE	pag. 9
3.1 - DESPATCH OF THE MACHINE	
3.2 - PACKAGE CHECK UPON RECEIPT	
3.3 - PACKAGE DISPOSAL	
CHAP. 4 - INSTALLATION	pag.10
4.1 - SETTING UP OF THE MACHINE	
4.2 - ELECTRICAL CONNECTIONS	
4.3 - FUNCTIONING CHECK	
CHAP. 5 - USE OF THE MACHINE	pag.11
5.1 - CONTROLS	
5.2 - FIRST USE OF THE MACHINE	
CHAP. 6 - GENERAL CLEANING	pag.13
6.1 - INTRODUCTION	
CHAP. 7 - MAINTENANCE	pag.14
7.1 - GENERAL FEATURES	

7.2 - POWER SUPPLY CORD

CHAP. 8 - DISPOSAL OF THE MACHINE

pag.14

8.1 - PUTTING THE MACHINE OUT OF SERVICE

8.2 - WEEE Waste of Electric and Electronic Equipment

CHAP. 9 - ELECTRIC CIRCUIT DIAGRAM

pag. 15

9.1 - 220-240V electric circuit diagram

CHAP. 6 - GENERAL CLEANING

6.1 - INTRODUCTION

- The machine cleaning is an operation that has to be performed at least once a day and, if necessary more often.
- All the machine parts, that are in contact with the product, must be cleaned accurately .
- Never clean the machine by means of compressed water or water jets.
- It is recommended not to clean the CERAN GRILL when the cooking surface is hot, but only when it is cold.
- Take the same care **when emptying the collecting tray for gravy.**
- It is advisable to perform these cleaning operations when the CERAMIC GLASS GRILLS temperature is at the minimum so that the residual grease which sticks to the grid can melt.
- It is absolutely forbidden to pour water or other liquids on the grid when it is hot, because the changes of temperature can provoke their breaking.
- **WARNING:** Before performing any cleaning operation, **disconnect the machine plug from the mains to insulate it from the rest of the installation.**

CHAP. 7 - MAINTENANCE

7.1 - GENERAL FEATURES

Before performing any maintenance operations, it is necessary to **disconnect the plug from the socket to insulate completely the machine from the rest of the system.**

7.2 - POWER SUPPLY CORD

Periodically check whether the power supply cord is worn-out and, if this is the case, please call the "SERVICE CENTRE" to have it replaced.

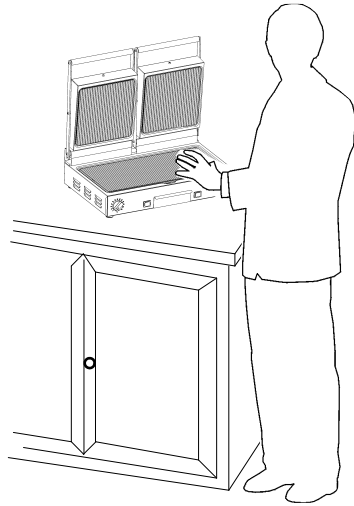


FIG. n°6 - Correct position for cooking

CHAP. 1 - INFORMATION ON THE MACHINE

1.1 - GENERAL PRECAUTIONS

- The machine must be operated only by highly qualified people who are fully aware of the safety measures described in this manual.
- In case of a personnel turn over, training is to be provided in advance.
- Before starting cleaning and maintenance operations, disconnect the plug from the supply socket.
- Assess the residual risks carefully to carry out cleaning and maintenance.
- Cleaning and maintenance require great concentration.
- A regular control of the electric supply cord is absolutely necessary; a worn-out or damage cord is very dangerous.
- If the machine shows malfunctions, it is recommended not to use it and to abstain from trying to repair it; please call the "Service Centre".
- The CERAMIC GLASS GRILLS are used for cooking, heating, toasting, and to grill foodstuffs. Do not use the machine for other uses or for any products other than foodstuffs.
- The manufacturer is not liable in the following cases:
 - ⇒ if the machine has been tampered by non-authorized personnel;
 - ⇒ if some parts have been substituted by non original spare parts;
 - ⇒ if the instructions contained in this manual are not followed **accurately**;
 - ⇒ if the machine surface is not cleaned with the right product.

1.2 - SAFETY DEVICES INSTALLED ON THE MACHINE

1.2.1 - electrical safety devices

The electrical safety devices installed on the machine, described in this manual, complies with **EC 2006/95, 2004/108, 2007/19**.

Even though the CERAMIC GLASS GRILLS are provided with electrical and mechanical protections (when the machine is working and for maintenance and cleaning operations), there are still **RESIDUAL RISKS** that cannot be eliminated completely, these risks are mentioned in this manual under **WARNING**. These risks are scalds caused by the loading and unloading of the product, or other kind of injuries due to the maintenance operations.

1.3 - DESCRIPTION OF THE MACHINE

1.3.1 - General description

Our firm has designed and manufactured the CERAMIC GLASS GRILLS to cook, heat, toast, grill foodstuffs (as fish, meat, vegetables, etc.) and to guarantee:

- the highest degree of safety in functioning, cleaning and maintenance;
- the highest hygienic standard due to an accurate choice of materials which come into contact with the foodstuffs;
- the lowest loss of heat produced by the resistances;
- solidity and stability of all the elements;
- great handiness.

1.3.2 - Manufacturing features

The structure of the CERAMIC GLASS GRILLERS are made of stainless steel AISI 430 and the cooking gridiron is made of ceramic glass, this guarantees hygienic conditions and high resistance to acids, salts and oxidation processes.

4.3 - FUNCTIONING CHECK

To check the machine functioning, just turn the “start” regulator knob **clockwise** (placing yourself in front of the knob), and starting from the minimum, observe if the pilot lamp turns on .

When the pilot lamp is on, it means that **the machine is functioning.**

CHAP. 5 - USE OF THE MACHINE

5.1 - CONTROLS

The controls are placed on the machine as shown in the figure below.

- 1 Thermostat
- 2 Pilot lamp, it indicates that the resistors are on.

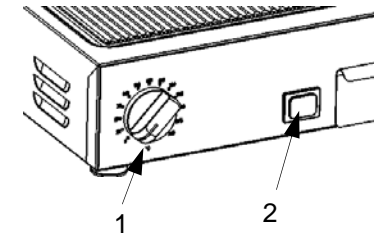


FIG. n°5 - Controls position

5.2 - FIRST USE OF THE MACHINE

When the machine is delivered, the steel surfaces are protected with a nylon anti-scratch film. This film has to be removed accurately before starting the machine and pay attention to remove eventual residuals of glue.

To perform this operation, do not use sharpening tools, inflammable or abrasive substances.

The insulating materials used during the manufacturing and the residuals of grease due to the mechanical installation of single parts, heat and produce smoke, for this reason, **it is necessary to start the machine outside, putting it at the maximum for 15-20 minutes.**

WARNING: When you place the product on the grid to cook it, this must be hot, so pay attention to residual risks due to burning dangers.

To load the product follow this procedure:

1. place yourself in a correct position (*FIG. n°6*), avoiding any contact with the machine;
2. choose the correct temperature using the knob;
3. when the griller is hot, place the product and start the cooking;
4. at the end of the cooking, remove the residuals from the grid;
5. if the griller is inactive for a long period (f.i. one or two hours), place the knob to 0 °C.

3.2 - PACKAGE CHECK UPON RECEIPT

If no external damage is evident on the package upon its arrival, open it and check that all the components are inside (see FIG. n°3). If the package has suffered rough handling, bumps or crashes, the carrier must be informed about any damage; moreover a detailed report on the extent of the damage caused to the machine must be filled within three days from the delivery date shown in the shipping documents. **Do not overturn the package!!** When the package is transported, make sure the box is lifted by the 4 corners (parallel to the ground).

3.3 - PACKAGING DISPOSAL

The components of the packaging (cardboard, eventual pallets, plastic straps and polyurethane) are urban solid waste; therefore they can be easily disposed.

If the machine has to be installed in countries where specific regulations are in force, packaging must be disposed in compliance with them.

CHAP. 4 - INSTALLATION

4.1 - SETTING UP OF THE MACHINE

The machine must be installed on a working table suitable for its overall dimensions shown in Tab. 1, therefore it must be adequately large, well levelled, dry, smooth, resistant, stable and placed at a height of 80 cm from the ground.

Moreover the machine must be installed in a room with max. 75% not saline humidity at a temperature between +5°C and +35°C; that is to say in a place that does not provoke the machine failure.

4.2 - ELECTRICAL CONNECTIONS

The machine is equipped with a power supply cord which section is adequate to the absorb power and a plug.

To connect the machine, follow the indication of the rating plate - serial number (see FIG. n°4).

Check that the earthing is fully operational.

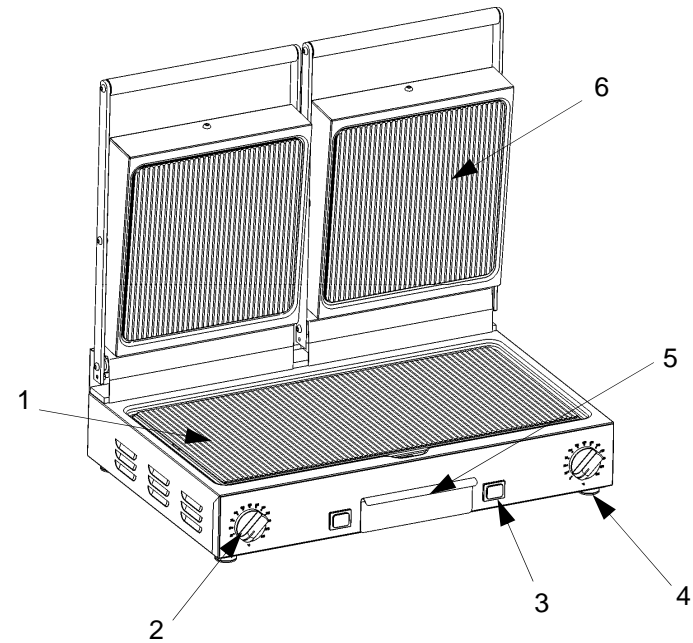
Moreover check that the features on the rating plate - serial number (see FIG. n°4) correspond to the features shown in the consignment and delivery note, and that the disconnecting plug and the socket are easy to reach when the machine is functioning.

Mod. _____	Watt. _____
Matr. _____	Hz. _____
_____ H.p. _____ A. _____	_____ Volts. _____ Kg. _____
○ _____	○ _____
Anno _____	

FIG.n°4 - Rating plate-serial number

1.3.3 - Machine components

FIG. n°1 - General view of the machine



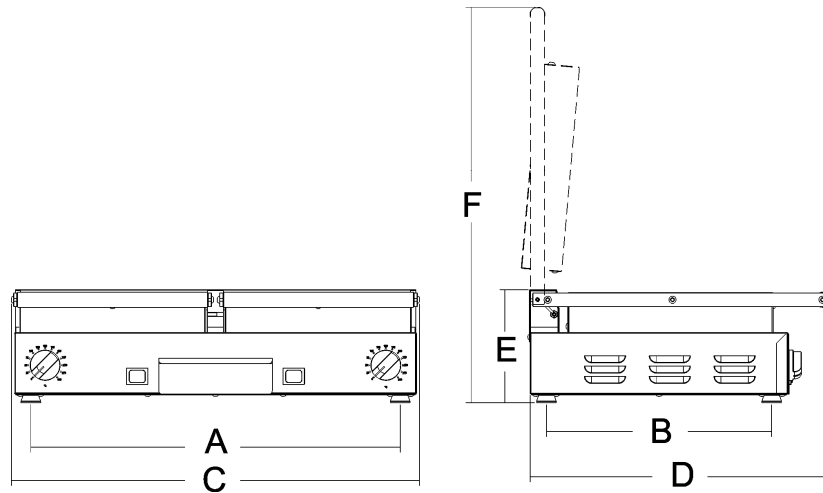
LEGEND:

- | | |
|---|---------------------------|
| 1 | Lower cooking gridiron |
| 2 | Thermostat |
| 3 | Functioning pilot lamp |
| 4 | Feet |
| 5 | Collecting tray for gravy |
| 6 | Upper cooking grid |

CHAP. 2 - TECHNICAL DATA

2.1 - OVERALL DIMENSIONS, WEIGHT, CHARACTERISTICS...

FIG. n°2 - Overall dimensions drawing



TAB. n°1 - Overall dimensions and technical features

Model	U.m.	PD VC
A x B	mm	542x330
C x D x E	mm	592x441x166
F	mm	565
Cooking space dimension	mm	500x255
Supply		220-240V 50-60Hz
Power	W	3200
Net weight	Kg	30

WARNING: The electrical characteristics for which the appliance is designed are indicated on the reference plate applied on the side of the machine; before connecting to power supply, please read paragraph **4.2**.

CHAP. 3 - THE ARRIVAL OF THE MACHINE

3.1 - DESPATCH OF THE MACHINE (see FIG. n°3)

The CERAMIC GLASS GRILLS are accurately packed and then despatched from our warehouse.

The package includes:

- a) a strong cardboard box + inside protections;
- b) the machine;
- c) this manual;
- d) EC conformity declaration.

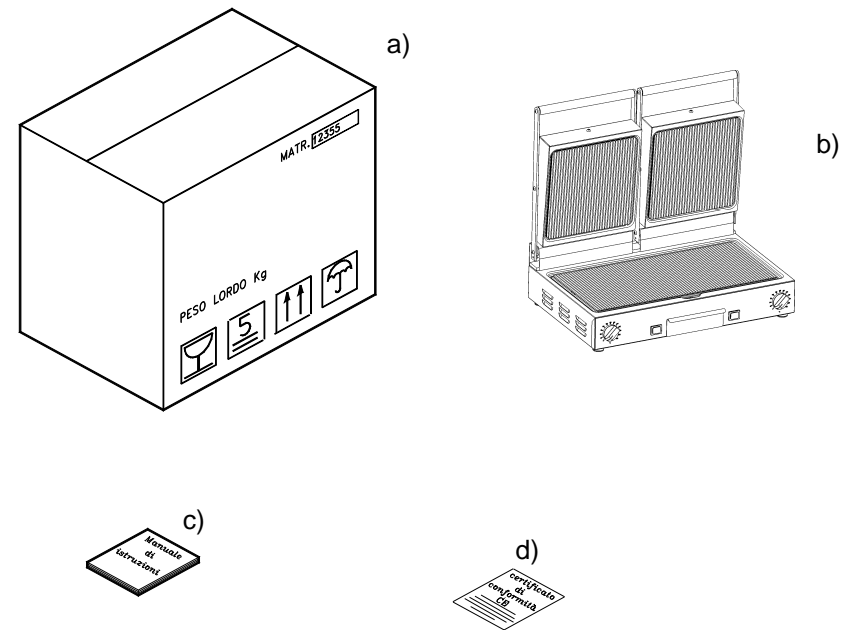


FIG. n°3 - Package description