



200-plate trolley with safety grids to stop plates falling.

## STURDY

The trolleys together with the separation grids are made of stainless steel, meaning they are strong and corrosion-resistant, and consequently very durable.

They are built on an automatic welding bench. This production process ensures even welds.

The trolleys are fitted with 4 stainless steel swivel wheels with polyamide cover and stainless steel axle and ball. The ball bearing guarantees the rolling quality and optimum resistance with time. Two wheels are braked so that the trolleys can be immobilised. The wheel treads and protective bumpers are of the non-marking type.

## ERGONOMICS

The trolleys are fitted with either safety grids to stop plates falling, or simple separations with a front grid.



The front grid is easy to remove and hooks onto the rear of the trolley so that it is easy to handle the plates.



270-plate trolley with separations and removable front grid.

The sloped base and the height of the separation grids mean that crockery can be transported in perfect safety.

The trolleys are designed for plates of up to 290 mm in diameter and cafeteria trays measuring 460 x 360 mm (600 x 400 mm for the 400-plate trolley).

They are also suitable for storing small crockery items such as ramequins, bowls, small dishes, saucers.

In addition, the 200-plate trolleys are designed for storage under a tabletop.

There are also four models of trolley that can be taken apart. These trolleys are delivered in flat packs to keep transport and storage costs down.



400-plate trolley with separations and removable front grid.

## OPTIONAL

- Protective polyamide cover.
- Removable cutlery dispenser, capacity: 5 GN 1/3 containers.
- Additional separation grids.



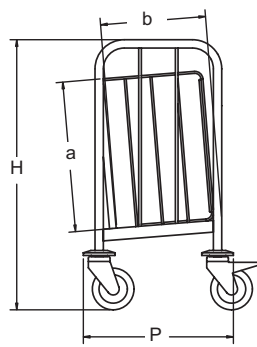
cutlery dispenser ref. 800 571 (containers extra)

25 avenue Jean Moulin  
BP 59  
71700 TOURNUS - FRANCE

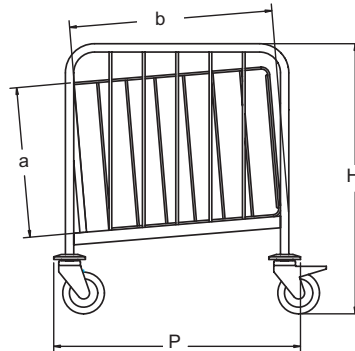
Tel: + 33 (0)3 85 27 42 65  
Fax: + 33 (0)3 85 27 42 60

E-mail:  
export@tournus.com

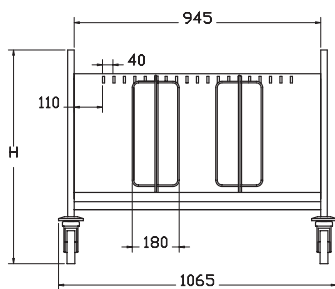
Web site:  
www.tournus.com



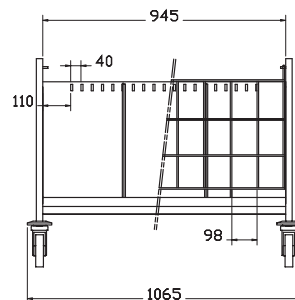
200-plate trolley  
(side view)



400-plate trolley  
(side view)



trolley with safety  
barriers  
(front view)



trolley with separation  
grids + front grid  
(front view)

**Construction:**

- Welded stainless steel.

**Arched handles:**

- Square tube 25 x 25 mm.

**Separation grids:**

- Stainless steel wire Ø 6 mm.

**Removable front grid:**

- Stainless steel wire Ø 6 mm.

**Wheels:**

- 4 swivel wheels Ø 125 mm, 2 with brakes.
- Polyamide cover, stainless steel axles and ball bearings
- Rubber tyre, non marking type.
- Round bumpers.

Description	Number of plates	Max load (kg)	D (mm)	H (mm)	a (mm)	b (mm)	Trolley reference
Trolley with safety barriers	200	120	450	810	480	315	800 541
" " " "	270	180	450	1000	620	315	800 546
" " " "	400	240	740	810	430	610	800 551
Trolley with separation grids + removable front grid	200	120	450	810	480	315	800 542
" " " "	270	180	450	1000	620	315	800 547
" " " "	400	240	740	810	430	610	800 552
Trolley with safety barriers (delivered in flat pack)	200	120	450	810	480	315	800 561
" " " "	270	180	450	1000	620	315	800 566
Trolley with separation grids + removable front grid (delivered in flat pack)	200	120	450	810	480	315	800 562
" " " "	270	180	450	1000	620	315	800 567