



**Chefmaster 1800watt Microwave  
Instruction Manual**

**Models**

HEB643 –1800watt Microwave oven

**Thank you for purchasing your Chefmaster Microwave. To make full use of the product please read this manual carefully before using the product and keep it safe for future reference.**

### **Safety Tips**

- If you find any damage when the product is unpacked, contact your Chefmaster supplier within 24 hours of receipt of goods.
- Always position on a flat stable surface.
- Repairs should always be carried out by a qualified technician.
- Do not use this product outside.
- Do not carry when hot.
- Always switch off and unplug the unit before cleaning.
- Move by holding the product by the base.
- Always store flat and do not store products on top of it.
- If the power cord becomes damaged it must be replaced by a qualified technician.
- This product is not designed to be used by persons with reduced physical or mental capabilities, lack of experience or knowledge, unless they are given suitable supervision, this includes children.

## **Pack Contents**

- 1 x Chefmaster Microwave

## **Before Use**

- Remove all packaging including all protective plastic, from your Chefmaster Microwave
- Position on a flat, stable surface
- Clean with warm water and a soft cloth
- Plug your Chefmaster Microwave into the mains
- The microwave will now be ready to turn on

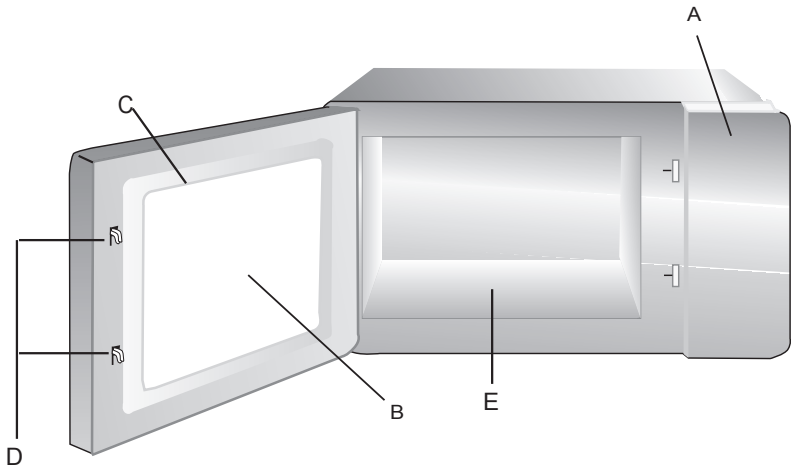
## **Cookware**

- Heat resistant glass – Yes
- Heat resistant ceramics – Yes
- Microwave safe cookware – Yes
- Kitchen paper – Yes
- Metal tray/rack – No
- Aluminum foil/foil containers – No
- Non heat resistant glass – No

## Oven Parts and Controls

### Names of Oven Parts and Accessories

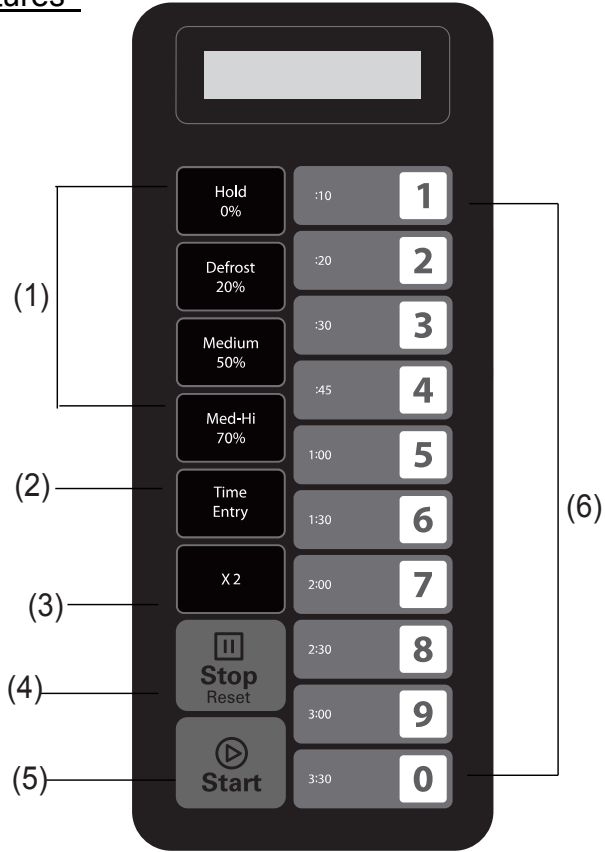
Remove the oven and all materials from the carton and oven cavity. Your oven comes with the following accessories:



- (A) Control panel
- (B) Observation window
- (C) Door assembly
- (D) Safety interlock system
- (E) Ceramic board

# Control Panel and Features

- (1) Power Buttons
- (2) Time cook Button
- (3) X2 Button
- (4) Stop/Cancel Button
- (5) Start Button
- (6) Number Button



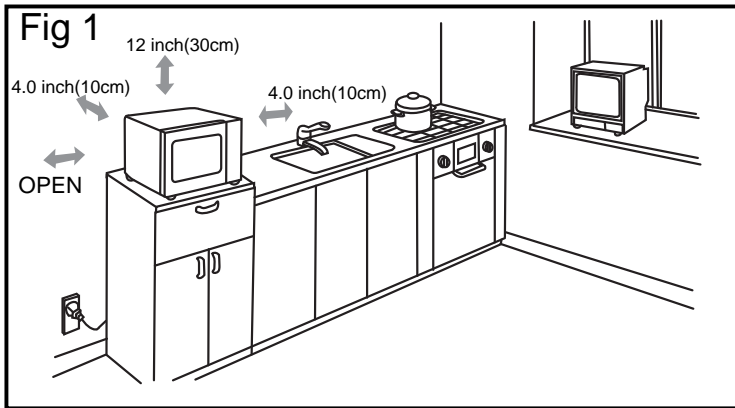
## **Countertop Installation**

Remove all packing material and accessories. Examine the oven for any damage such as dents or broken door. Do not install if oven is damaged.

Cabinet: Remove any protective film found on the microwave oven cabinet surface.

## **Installation**

- Select a level surface that provides enough open space for the intake and/or outlet vents (Figure1).

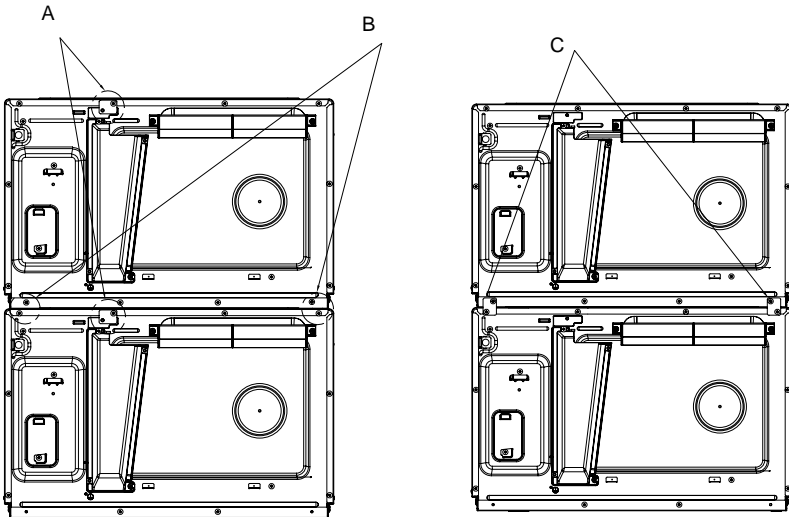


**A 10-cm spacing should be kept between the appliance and right and back walls, and a 30-cm spacing kept on the top. Never dismantle the appliance's feet, nor block the air intake and exhaust opening. The left side must be open.**

- Blocking the intake and/or outlet openings can damage the oven.
- Place the oven as far away from radios and TV as possible. Operation of microwave oven may cause interference to your radio or TV reception.
- Plug your oven into a standard household outlet. Be sure the voltage and the frequency is the same as the voltage and the frequency on the rating label.
- Warning: The plugs socket, electric appliances or the appliance which are liable effected by heat and moisture should be kept away from any vents on the oven.

The appliance can be installed with a degree of stacked (figure2). The maximum stacking height is two units.

Fig 2



- loosen the screws & take off the installation boards on both machines. Fix the screws back to the original place tightly
- take off four screws as shown
- put installation boards to the locations as indicated & fix them with the four screws tightly

## Operation Instruction

Five power levels are available

Level	High	M. High	Med.	Defrost	Hold
Power	100%	70%	50%	20%	0%
Display	PL10	PL7	PL5	PL2	PL0

## User Options

Items bolded below are the default values

Option	Setting	Discription
1 EOC Tone	<b>OP:10</b>	<b>3 seconds beep</b>
	OP:11	Continuous beep
	OP:12	5 quick beeps,Repeating
2 Beeper Volume	OP:20	Beeper Off
	OP:21	Low
	<b>OP:22</b>	<b>Medium</b>
	OP:23	High
3 Beeper On/Off	OP:30	Keybeep Off
	<b>OP:31</b>	<b>Keybeep On</b>
4 Keyboard Window	OP:40	15 seconds
	OP:41	30 seconds
	<b>OP:42</b>	<b>60 seconds</b>
	OP:43	120 seconds
5 On the Fly	OP:50	On-the-Fly Disable
	<b>OP:51</b>	<b>On-the-Fly Enable</b>
6 Door Reset	<b>OP:60</b>	<b>Door reset Disable</b>
	OP:61	Door Reset Enable
7 Max time	<b>OP:70</b>	<b>60 Minute Maximum Cook Time</b>
	OP:71	10 Minute Maximum Cook Time
8 Manual Programming	OP:80	Manual Programming Disable
	<b>OP:81</b>	<b>Manual Programming Enable</b>
9 Double Digit	<b>OP:90</b>	<b>Single Digit Mode-10 programs</b>
	OP:91	Doule Digit Mode-100 programs



## Default Cook Times

The oven is delivered with the following Preset Cook Times unless otherwise noted in the product specification

Button	Display (Time)	Power	Cook Factors
1	0:10	100%	80%
2	0:20	100%	80%
3	0:30	100%	80%
4	0:45	100%	80%
5	1:00	100%	80%
6	1:30	100%	80%
7	2:00	100%	80%
8	2:30	100%	80%
9	3:00	100%	80%
0	3:30	100%	80%

### 1. Power Up

" ----- " displays when the oven is turned on for the first



time. If " **Stop**  
Reset " button pressed, the oven will change to idle mode.

Note: Under idle mode, no button can be pressed.

### 2. Idle Mode

- The oven shall enter idle mode after a set of seconds(60 seconds by default) have expired in Ready Mode without a keyboard press or a door open and close. The number of seconds is determined by the keyboard Timeout Window, set by User Option 4.
- During idle mode, THE SCREEN is blank. And there shall be no oven activity.
- Opening and then closing the oven door, the oven will exit the idle mode and into ready mode.


### 3. Ready Mode

- Opening and closing the door while the oven is in Idle Mode will put the oven into Ready Mode.
- During Ready Mode, "READY" displays.
- From the Ready Mode, the oven can go to almost all of the other modes.
- Only the fan and lamp work.

### 4. Door Open Mode

- While the door of the oven is open, the oven shall be in Door Open Mode.
- During this mode, THE SCREEN is blank. And the fan and oven lamp work.
- When the door is closed, if User Option OP: 60 is selected and the oven was running a manual or preset cook cycle, the oven shall enter Pause Mode. In all other cases, the oven shall return to Ready Mode with User Option OP:61 set. Opening and closing the door will clear out any information about a Manual or Preset Program which was running.

### 5. Pause Mode

- While in Manual Cook Mode or Preset Program Cook Mode, if the door is open or closed, or if the " Stop" pad Reset is pressed, the oven will enter Pause Mode.
- While paused, THE SCREEN will display the remaining cooking time.
- Only the fan and lamp work.
- Pause Mode will expire back to Idle Mode in the same way as Ready Mode, dependent on User Option 4.



Additionally, if the " **Stop** " button is pressed, the oven shall immediately enter Ready Mode. OR if press " **Start** " button, the oven will go into working mode.

## 6. Manual Cook Entry Mode

- While the oven is in the Ready Mode, pressing the " **Time Entry** " pad on the keyboard will put the oven into Manual Cook Entry Mode.
- During this mode, "00:00" displays
- If you press " **Hold** " " **Defrost** " " **Medium** " or " **Med-Hi** " button to select power level, THE SCREEN will display the related power. If the same button pressed twice, the power will change to PL10. If no power chosen, "PL10" is default.
- Only the fan and lamp work.
- During setting process, press " **Start** " to enter Manual

Cook Mode. Press " **Stop** " to enter Ready Mode.




## 7. Manual Cook Mode


- Pressing the " **Start** " pad will cause to the oven to begin Manual Cook Mode.
- During this mode, remaining cooking time displays. The fan and oven lamp will work.
- When cooking program finish, the oven will enter End of Cook Cycle Mode. If you press " **Stop** " button under this mode, the oven will enter Pause Mode.



## 8. End of Cook Cycle Mode


- After the time has expired in a Manual Cook Mode, or a Preset Program Cook Mode, the oven shall go into The End of Cook Cycle Mode.
- During this mode, "DONE" displays.
- If either User Option OP:11 or "OP:12" is selected, the oven shall continue to sound until the user acknowledges this by either opening and closing the door or pressing the  " **Stop** Reset " pad. If User Option OP:10 is selected, after the 3 seconds beep, the oven shall go into Ready Mode.

## 9. Preset Program Cook Mode

- This mode allows cooking of food items through a one pad touch operation. While in Ready Mode, pressing one of ten digit keys on the keyboard will cause the oven to run the Preset Program associated with that key.
- THE SCREEN displays the remaining cooking time. If it is multi-stage cooking, the total remaining cooking time displays not a particular stage cooking time.
- When cooking program finish, the oven will enter End of Cook Cycle Mode. If you press  " **Stop** Reset " button under this mode, the oven will enter Pause Mode.





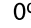
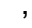
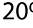
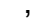
## 10. On the Fly Cooking




- While the oven is cooking or under Pause Mode, if User Option OP:51 is selected, press number buttons, the preset cooking program will start automatically.
- THE SCREEN displays the remaining cooking time.
- When cooking program finish, the oven will enter End

of Cook Cycle Mode. If you press " Stop Reset" button under this mode, the oven will enter Pause Mode.

## 11. Programming Mode

This mode allows the user to assign cook times and power levels to the once touch button.

- Open the door and press "1" for 5 seconds, the buzzer will sound once and enter to Programming Mode.
- "PROGRAM" displays. You can input the time you need.
- Press " Hold  Defrost  Medium  Med-Hi" or " 0%  20%  50% or  70%" to input the power level. The screen will display the related power. If the same button pressed twice, the power will change to PL10. If no power chosen, "PL10" is default.  
Note: Set the time first, then choose the power

- To change the cooking factors: If press "X2", the screen will display "CF:XX". The default factor is 80%. "CF:80" displays. If you need to change the cooking factor, just press one of the number buttons to set.
- After setting the time and power, press "  Start ", the cooking program will be saved. When the program saved, "PROGRAM" displays.
- If all the cooking time exceeds the MAX. time User Option 7, when press "  Start " to save the program, the buzzer will sound three times briefly to tell you the time is no use. And then the screen turns back to display "PROGRAM". The time set before will have no change.
- Close the door, the oven will turn back to Ready Mode. If press "  Stop " button during setting process, the oven turns to Door Open Mode. The program that not saved will be lost. If there is program saved as memory procedure, press the related number button, the saved program will start. If no saved program, the buzzer will alarm when pressing number button and it will not work.

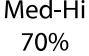
For example: set the program as memory cooking.


Program: Power level PL7 and cooking time 1 minute and 25 seconds.

*Step 1:* Open the door, press number button "1" for 5 seconds, "PROGRAM" displays.

*Step 2:* Press number button "3", the program will be saved in "3" & the screen displays "P:03". After two seconds, the screen will display the related time ":30".

*Step 3:* Press number buttons "1", "2" and "5" to input the cooking time.


*Step 4:* Press "  " button," 1:25 70" displays. Setting finished.

*Step 5:* Press "  " to save. When use the program next time, just press "3", the related program will start.

Note:

(1). If the electricity is cut off, the saved program will not lose.

(2). If the program need to reset, just repeat the above steps.

(3). If press "  " at the last step, it will turn back to Ready Mode. The setting will be no use.


## 12. Double Quantity cooking

- To press "X2" button in ready mode, followed by the starting of a preset program or if the "X2" button is pressed in 5 seconds after starting a preset program, the oven will start cooking with the quantity preset cooking time.

- Press "X2", "DOUBLE" displays. When press number buttons, the screen will display the quantity preset time.  
For example, press number button "5" and its preset time is 1 minute. Then press "X2", then time will change to  $1:00 \times (1+0.8) = 1:48$  (1 minute and 48 seconds).
- When cooking program finish, the oven will enter End of Cook Cycle Mode.  
Note: This function can be used under preset program mode.

### 13. Stage Cooking Programming

This allows the user to cook food items at manual cook mode and programming mode.

- Three stages can be set at most under cooking mode or programming mode. After setting the power and time for the first stage, press "<sup>Time</sup>Entry" to set the second stage. And the same step to set the third stage.
- When setting the second or third stage, press "<sup>Time</sup>Entry", "STAGE-2" or "STAGE-3" displays.
- Press " Start " button to start cooking.



Example: In programming mode, press number button "3" to set two stages cooking. The first stage is PL7 and time is 1 minute 25 seconds, and the second stage is PL5 and 5 minutes and 40 seconds. The steps are:

(a) Open the door, press number button "1" for 5 seconds until the screen displays "PROGRAM".

(b) Press number button "3", the program will be saved in "3" & the screen displays "P:03". After two seconds, the screen will display the related time ":30".

(c) Press "1", "2", "5" to input the cooking time. "1:25" displays.

(d) Press " $\overset{\text{Med-Hi}}{70\%}$ ", "1:25 70" displays.

The first stage setting is finished

(e) Press " $\overset{\text{Time}}{\text{Entry}}$ ", the screen displays "STAGE-2".

(f) Press "5", "4", "0" button, "5:40" displays.




(g) Press " $\overset{\text{Medium}}{50\%}$ ", "5:40 50" displays.

The second stage setting is finished

(h) Press " $\text{Start}$ " to save the program.

## 14. User Option Mode

This allows user to choose between various ways to operate the oven.

- Open the oven door and press "2" for 5 seconds. The buzzers sound once and enter this mode.
- The screen displays "OP: - -".
- Press any number button to enter related mode setting. For example: to set the sound of the buzzer to medium. Press " 2 ", "OP:22" displays. If you want to change, keep pressing "2", the screen displays "OP:20", "OP:21", "OP:22", "OP:23", "OP:20" .....in cycle.
- Press "  Start " to save the current setting. After saved, "OP: - -" display again.
- During setting process, press "  Stop " to enter Door Open Mode. Close the door will enter Ready Mode.
- If "  Start " button not pressed at the last step, the program cannot be saved but stays at previous way.

## 15. Service Mode


- Open the oven door and press "3" for 5 seconds to enter service mode.
- THE SCREEN displays "SERVICE".
- To check how many times of closing / opening of the oven door, press number button "3" and the screen will display.

Press "1" for Tube Hours


Press "2" for Tube Cycles



Press "3" for Door Cycles

Press "4" for Clear Service Information

- Press "  **Stop** " to enter Door Open Mode. Close the door will enter Ready Mode.  
Reset

## 16. Factory-default setting

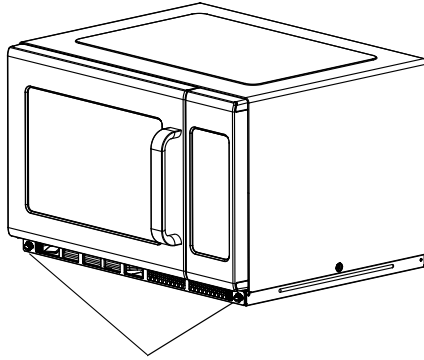
- In Ready Mode, press "  **Start** " and " 0 " to factory-default setting. The buzzer sounds once, and the screen will display "CHECK". If it is in the factory-default setting, the screen will display "11", otherwise "00".

- When screen shows “11”, press " Stop " after 3 seconds to return to the ready mode.  
Reset
- When screen shows “00” and if you want to restore the product to factory-default setting, press " Start " and “CLEAR” will be displayed on screen. Process completed. If you do not want to restore the oven to factory-default setting, press no button and the oven will return to the Ready Mode automatically.  
Note: Be careful during the operation as it may clear all configurations to factory-default setting.

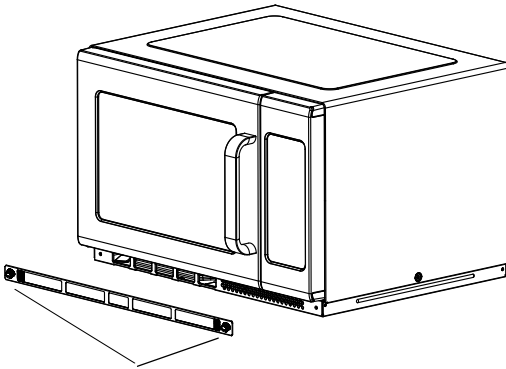
## Cleaning & Maintenance

- Before cleaning, disconnect the Microwave from the electricity supply.
- Once the unit has cooled completely, wipe with a damp & soapy cloth.
- DO NOT submerge the Microwave in water or use water sprays to clean it
- Always clean your Chefmaster Microwave daily
- Use a vacuum cleaner to clean the air intake & exhaust vents

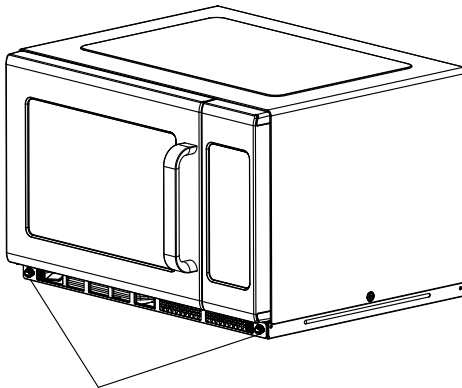
## How to remove and install the filter



Turn the metal nails left to loosen them.



Take off the filter.

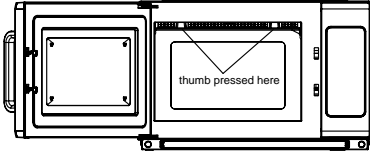


To restall,align the base plate mounting holes, clockwise the metal nails to tighten .

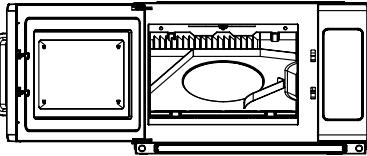
## How to remove and install the oil blockage



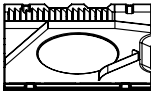
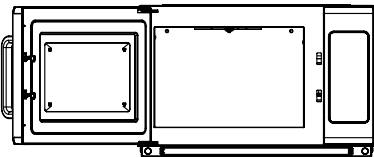
Warning: Before remove and install the oil blockage, be sure to unplug the appliance from the power supply, and avoid high temperature scald.



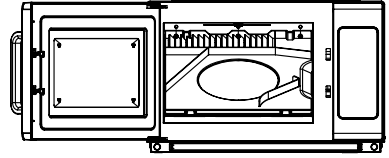
1. Hands with oil blockage, pressed on the arrow shown, pushed back slantly, then pulling down.



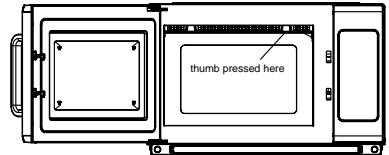
2. status of remove



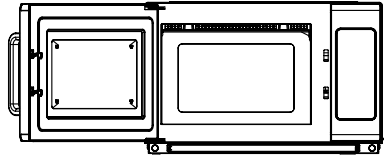
3. taking oil blockage from the appliance.



1. Hands to take the oil blockage, after alignment three cylinder of the oil blockage, inserting the three holes of the back plate.



2. The left hand grasp the microwave, right thumb to press the arrow directions and forced to push back. And the left thumb hard pressed upward at the same time. put the right of oil blockage into the buckle of the front plate.



3. From right to left, make the oil blockage loaded. When finish, check to ensure that the oil blockage buckle completely go.

## **Troubleshooting**

<b>Fault</b>	<b>Possible Cause</b>	<b>Solution</b>
No power	Socket problem / Unit is not plugged / Blown fuse	Check the socket / Plug the unit / Change the fuse
The power is on but the unit does not carry out the instruction correctly	Door is not closed / Touch pad is locked / Touch pad failure	Close the door / Unlock the touch pad / Contact with your Chefmaster distributor

## **Transportation and Storage**

Please handle your Microwave with care to prevent any damage to the unit and internal parts. The Microwave should be stored somewhere which is ventilation and non-corrosive gas.

Do not store any flammable objects near the equipment.

## **Technical Information**

### **HEB643 – Microwave oven**

Voltage: 230v~50Hz

Power: 1800watt

Weight : 32.3Kg

Dimensions : 574x528x368mm

- Chefmaster Microwave are supplied with a 3 pin plug and lead with a 13 amp fuse
- Appliance must be earthed
- If in doubt contact a qualified electrician or your Chefmaster distributor

## **Disposal**



Under WEEE regulations this product must not be disposed of as household waste. To prevent damage to the environment and humans this product must be disposed of in an approved and environmentally friendly recycling process. For more information on how to dispose of this correctly please contact your Chefmaster distributor or local authority responsible for waste disposal.

## **Compliance**



All Chefmaster parts and products have under gone a stringent testing process to ensure that comply with all European standards and specifications.

All Chefmaster products carry the CE approval symbol.