

GB	Drink Mixer Operation Manual (2)
FR	Mixeur à boisson Manuel d'utilisation (6)
ES	Mezcladora de bebidas Manual de operación (10)
PT	Misturador de bebidas Manual do Utilizador (14)
IT	Mixer per bevande Manuale per il funzionamento (18)
DE	Getränkemixer Bedienungsanleitung (22)
NL	Drink Mixer Gebruiksaanwijzing (26)
DK	Drink Mixer Betjeningsvejledning (30)
SE	Drinkmixer Bruksanvisning (34)
NO	Drink Mikser Brukerhåndbok (38)
GR	Μίξερ για ποτά Εγχειρίδιο χειρισμού (42)
RU	Миксер для напитков Руководство по эксплуатации (46)
TU	İçki Mikseri Çalıştırma Kılavuzu (50)
CN	饮料混合器 操作手册 (54)
JP	ドリンクミキサー 操作マニュアル (58)
KR	드링크 믹서 사용 설명서 (62)
SA	خلاطة الشراب دليل التشغيل (69)

IMPORTANT SAFETY INSTRUCTIONS

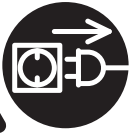
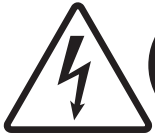
Your safety and the safety of others is very important.

We have provided many important safety messages in this manual and on your appliance. Always read and obey all safety messages.

WARNING – When using electrical appliances, basic safety precautions should be followed to reduce the risk of personal injury, including the following:

- Read all instructions before using mixer.
- Plug into a grounded outlet.
- Do not use an adapter.
- Do not use an extension cord.
- Disconnect power before cleaning or servicing, and before installing or removing agitator.
- Do not spray or submerge mixer.
- Always use metal container when mixing.
- This appliance is not intended for use by persons (including children) with reduced physical, sensory, or mental capabilities, or lack of experience and knowledge, unless they have been given supervision or instruction concerning use of the appliance by a person responsible for their safety.
- Children should be supervised to ensure that they do not play with the appliance.
- Do not put spoon or other utensils in metal container when mixing.
- Do not allow agitator to hit container sides when mixing.
- Inspect mixer and agitator daily.
- Replace agitators every 90 days.
- Do not operate any appliance with a damaged cord or plug, or after the appliance malfunctions or is damaged in any manner.
- If the supply cord of this appliance is damaged, it must be replaced by the manufacturer or its service agent or a similar qualified person.
UK ONLY: If fitted with a non-rewirable U.K. plug, the 13 amp fuse approved by ASTA to be B.S. 1362 must be used. If you need a replacement fuse carrier, it must be replaced with the same markings. Fuse covers and carriers can be obtained from approved service agents.

– **SAVE THESE INSTRUCTIONS** –



Electrical Shock Hazard
Disconnect power before cleaning mixer.

Failure to follow these instructions can result in death or electrical shock.



Electrical Shock Hazard
Plug into a grounded outlet.

Do not remove ground.
Do not use an adapter.
Do not use an extension cord.
Failure to follow these instructions can result in death, fire, or electrical shock.



Cut Hazard
Disconnect power before installing or removing agitator.
Always use metal container when mixing.
Do not put hands, spoons, or other utensils in metal container when mixing.
Failure to follow these instructions can result in serious injuries or cuts.

Sanitizing

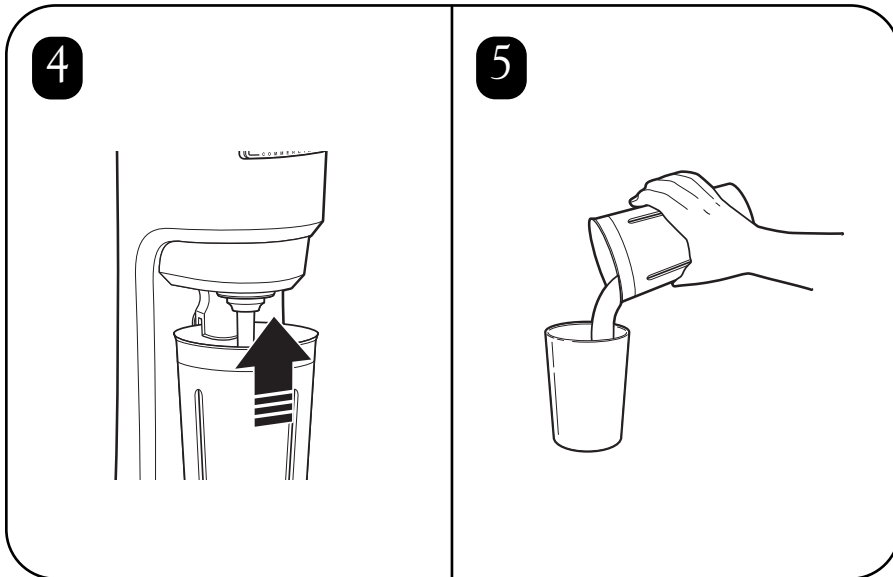
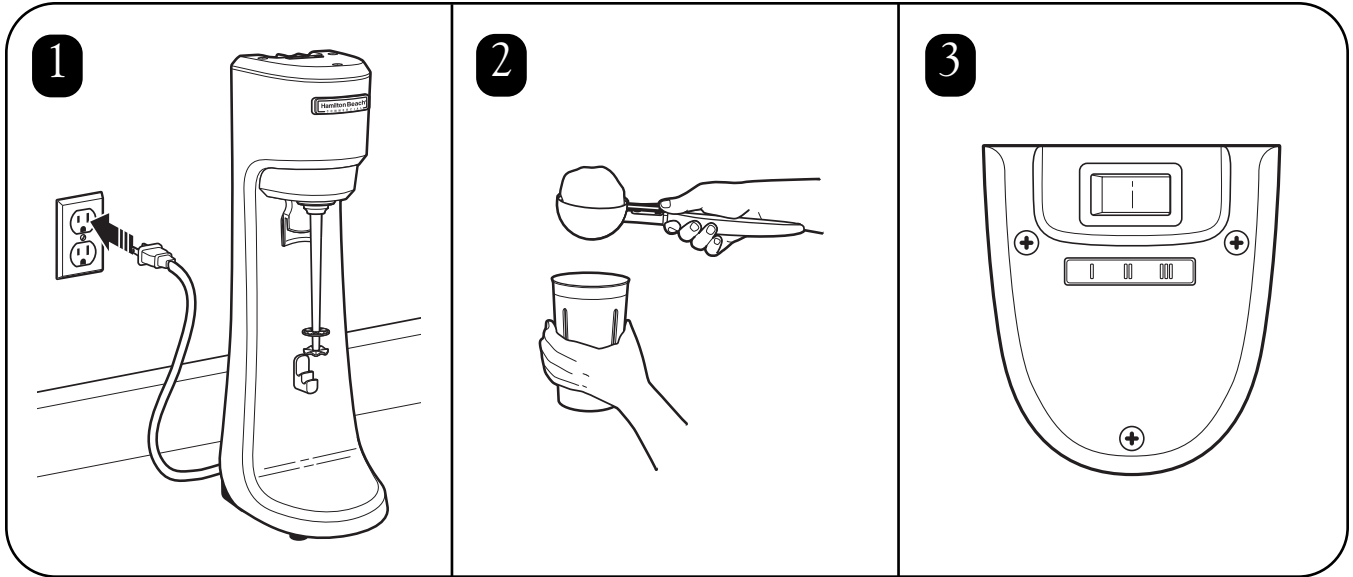
For best results, use the Hamilton Beach Universal Container (#110E).

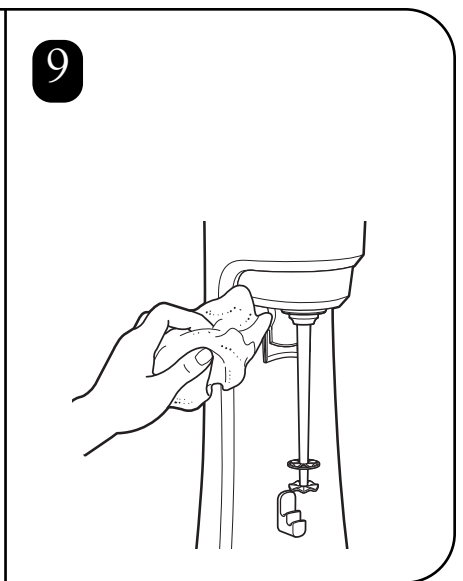
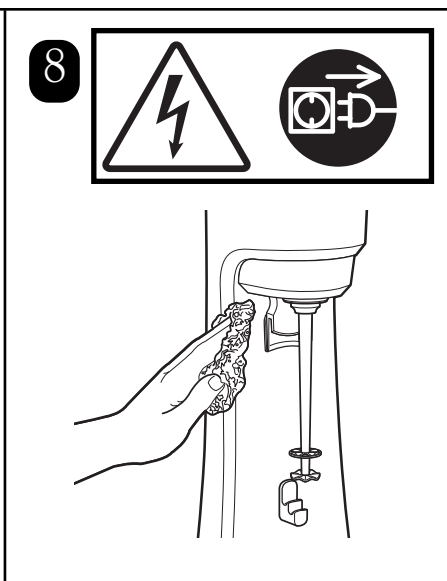
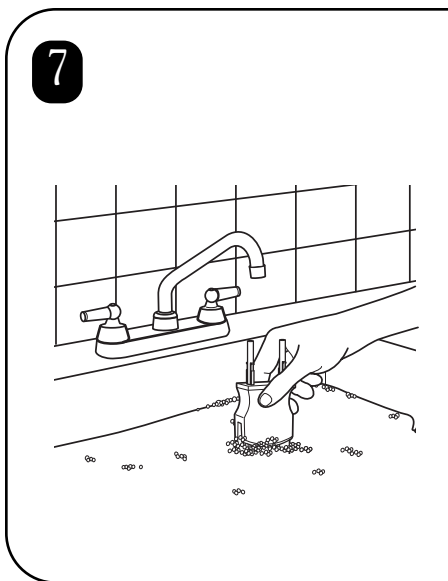
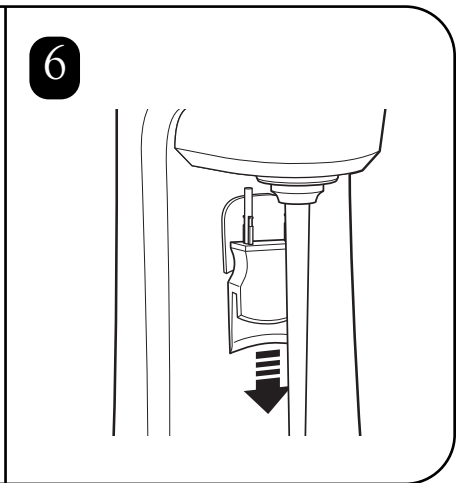
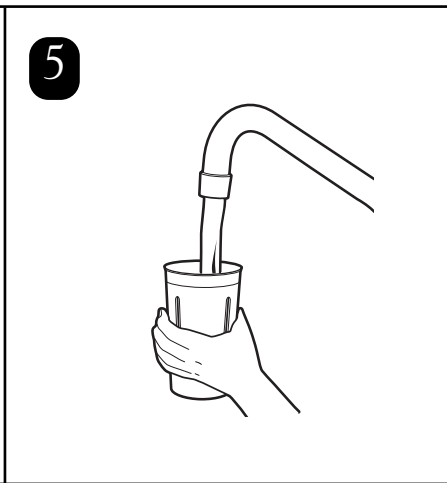
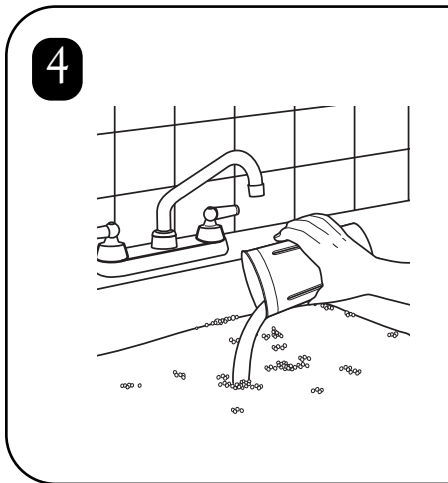
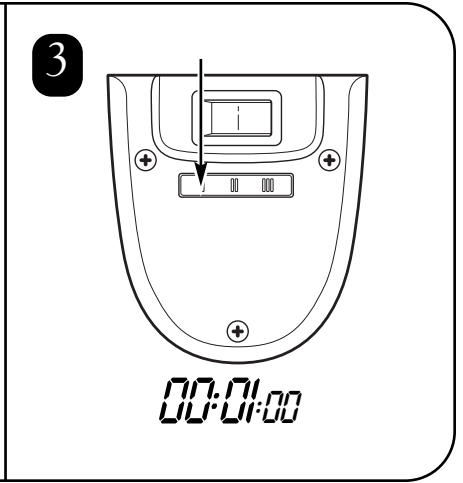
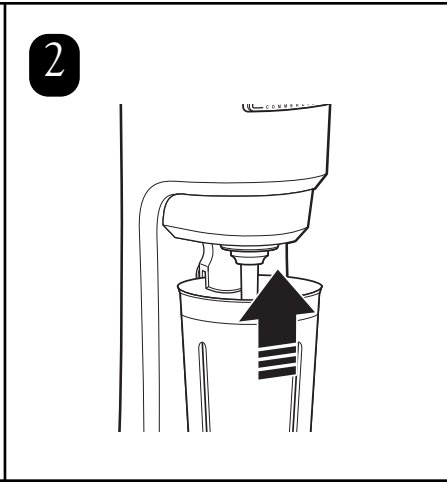
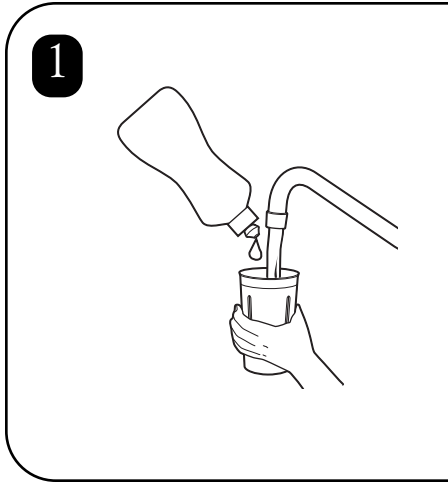
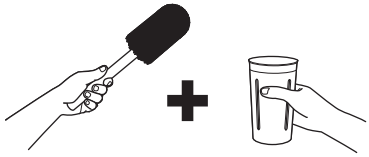
1. Fill container with sanitizing solution (1 tablespoon [15 ml] of household bleach per 1 gallon [3.8 liter] of clean, cool water (60°F/16°C) to ¾ full. Position the container properly on the mixer and run on low speed (I) for 1 minute.
2. Remove the container. Empty sanitizing solution and rinse container.
3. To dry, run the mixer on low speed (I) for 30 seconds with empty container in place. **DO NOT RINSE** after sanitizing is complete.

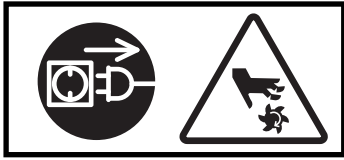
NOTE: If preferred, the container guide, container, and agitator may be cleaned in a dishwasher.



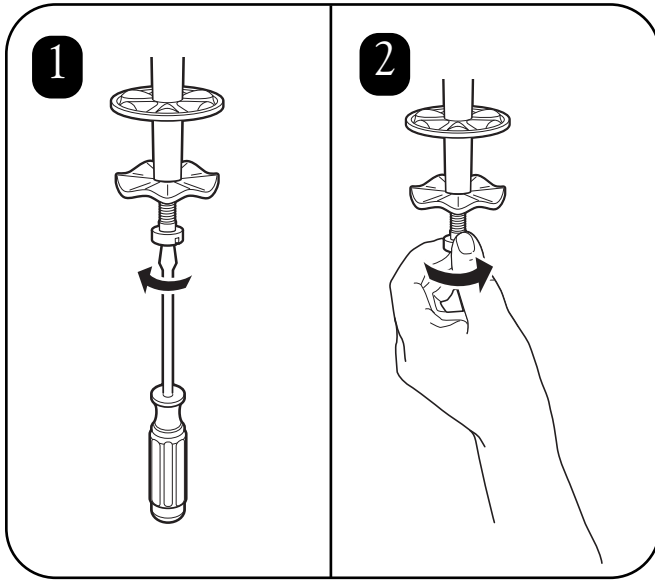
To Avoid Damage
Do not lift mixer by the shaft.



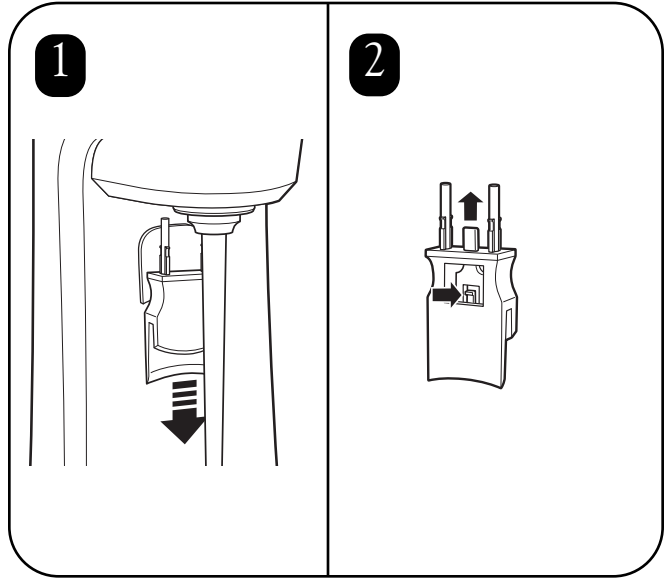




Replacing Agitator



Removing/Installing Container Guide



Technical Service

For assistance or replacement parts, call our

Technical Service number:

++910-693-4277

www.commercial.hamiltonbeach.com

INSTRUCTIONS FOR PROPER DISPOSAL OF THIS PRODUCT PURSUANT TO THE EUROPEAN UNION'S DIRECTIVE ON ELECTRICAL WASTE

Please do not dispose of any electrical equipment as ordinary waste. Help conserve natural resources and protect the environment: when you have finished using this product, please dispose of it at your local waste collection or recycling center in the area reserved for electrical equipment. Contact your local authority to find the nearest waste collection center. To remind you to dispose of this product responsibly and separately from ordinary waste, it is marked with the symbol of a crossed-out trash bin.

