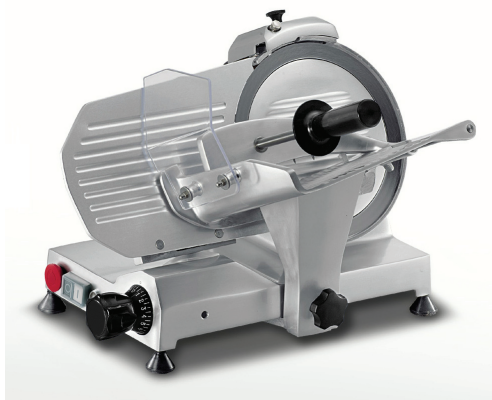


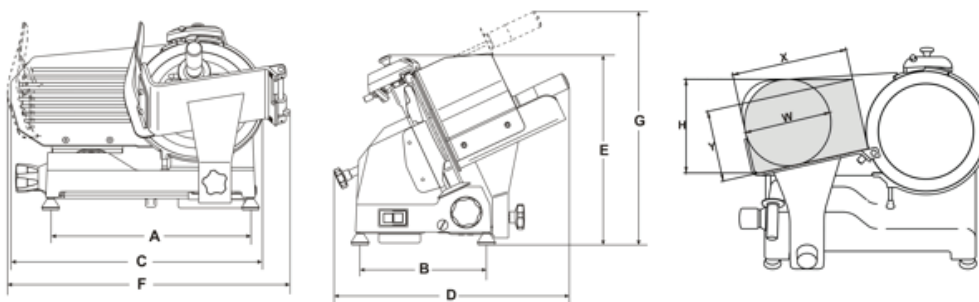
**MIRRA 250 C**



- Anodized cast aluminium alloy.
- Great distance between blade and motor for easy cleaning.
- Ventilated motor.
- Forged, hardened large thickness blades.
- Carriage running on self-lubricating bushes and lapped pins.
- Stainless steel screws and slice deflector.
- Strong thickness gauge support.
- Cast-in sharpener assembly.
- Compact dimensions and great cutting capacity.
- CE professional with device for releasing the carriage.
- Teflon coated or toothed blades are available on demand.

DETTAGLI

DATI TECNICI



<b>Model</b>	MIRRA 250 C
<b>ø Blade</b>	mm/inch 250/10"
<b>Motor</b>	Watt 147 - Hp 0,20
<b>Cut thickness</b>	mm 13
<b>Run of carriage</b>	mm 230
<b>Hopper</b>	mm 230x235
<b>A</b>	mm 395
<b>B</b>	mm 245
<b>C</b>	mm 500
<b>D</b>	mm 560
<b>E</b>	mm 370
<b>F</b>	mm 570
<b>G</b>	mm 475
<b>X</b>	mm 215
<b>Y</b>	mm 145
<b>H</b>	mm 180
<b>W</b>	mm 170
<b>Net weight</b>	Kg 18
<b>Shipping</b>	mm 600x500x420
<b>Gross weight</b>	Kg 22,5