

# HOSHIZAKI Snowflake GII



## REFRIGERATORS AND FREEZERS



EN: OPERATION, MAINTENANCE AND INSTALLATION MANUAL  
FR: MANUEL D'UTILISATION, D'ENTRETIEN ET D'INSTALLATION  
DE: BEDIENUNG-, WARTUNGS- UND MONTAGEANLEITUNG  
ES: MANUAL DE OPERACIÓN, MANTENIMIENTO E INSTALACIÓN  
NL: EXPLOITATIE- ONDERHOUD- EN INSTALLATIEHANDLEIDING  
DA: BETJENINGS-, VEDLIGEHOLDELSSES- OG INSTALLATIONS

<b>I. GENERAL INFORMATION</b>	<b>2</b>
<b>II. OPERATING INSTRUCTIONS</b>	<b>6</b>
<b>III. MAINTENANCE INSTRUCTIONS</b>	<b>12</b>
<b>IV. TECHNICAL INFORMATION</b>	<b>14</b>
<b>V. SERVICE DIAGNOSIS</b>	<b>21</b>
<b>VI. REMOVAL AND REPLACEMENT</b>	<b>22</b>

Contact Details:  
HOSHIZAKI EUROPE B.V.  
Address: Burgemeester Stramanweg 101 1101 AA Amsterdam, The Netherlands  
Tel: +31 (0)20 691 8499 <http://hoshizaki-europe.com/>


# HOSHIZAKI Snowflake GII



## I. GENERAL INFORMATION

### PRODUCT DESCRIPTION LABEL

1 Product Number
2 Product Description
3 Model
4 Refrigerant (GWP)
5 CO2 Equivalent
6 IP Protection
7 Climate Class
8 Production Date
9 Power - Current
10 Voltage - Frequency
11 Heating Element
12 System Pressure
13 Blowing Agent
14 Serial Number

PRODUCT NUMBER	1
	
PRODUCT DESCRIPTION	2
MODEL	3
REFRIGERANT	4
CO2 EQUIVALENT	5
IP PROTECTION	6
CLIMATE CLASS	7
PRODUCTION DATE	8
POWER-CURRENT	9
VOLTAGE - FREQUENCY	10
HEATING ELEMENT	11
SYSTEM PRESSURE	12
BLOWING AGENT	13

S/N: 14



HOSHIZAKI EUROPE B.V. Burgemeester Stramanweg 101 1101 AA  
Amsterdam, The Netherlands



### THE PURPOSE OF USAGE

- This product is suitable for use in indoor areas only and solely for the purpose of storing food and beverages.
- The manufacturer will not be held responsible for any damages arising as a result of usage contrary to stated guideline in this book.
- While storing food in this cabinet, it is necessary to ensure that food never comes in contact with the body of this cabinet.
- All foods must be completely covered.
- Do not store hot foods or liquids in this cabinet.
- Beverages stored in boxes and glass bottles should not be stored at temperatures below 0°C (freezing point). Cans and glass bottles may burst due to expansion. All containers with lids should not be filled completely: a small amount of space should be left for expansion.
- This cabinet is equipped with an automatic self-defrosting facility. It is also possible to perform manual defrosting. The manual defrosting does not involve turning the cabinet off for long periods but can be performed via the controller. Under no circumstances should force or hand tools to be used to de-ice this cabinet, any damage arising from such action is difficult to repair.
- Do not employ any mechanical or alternative means of defrosting.
- Any electrical or mechanical changes to this cabinet will void the warranty. Changes carried out by non-authorized service engineers and changes other than those described in this manual will also void the warranty. The manufacturer will not accept any responsibility for damages arising from such changes.

# HOSHIZAKI

## Snowflake GII



### CLIMATE CLASS

The cabinet is designed to run within specific ambient temperature and humidity levels. These are set out in the climate class system. These levels are never to be exceeded. The climate class for this product can be found on the product description label.

Climate Class	Ambient Temperatures and Humidity
4	+30°C with %55 RH
5	+40°C with %40 RH

### FIRST ACCEPTANCE AND CONTROLS

This cabinet was packed in protective packaging material for shipping. On delivery, please check the cabinet for any possible transport damage and that the cabinet model is what you ordered.

#### IMPORTANT

All operations listed below must fully comply with all local bylaws and safety regulations. Observe all current safety rules when operating this product.

### TRANSPORTING

When lifting the product using machinery, the lifting capacity of any machinery must be verified prior to undertaking any such procedures.

#### IMPORTANT

When using a fork truck to move the product, please ensure that the forks are inserted into the appropriate openings in the pallet.

Once moving, attention must be paid to the stability of the product. If the centre of gravity is not central to the product, which will make it prone to tip over. When lowering the product with a fork truck ensure this is done slowly and with care.

Should it become necessary to transport any upright cabinets in a horizontal position, please make sure the cabinet has been upright for at least 2 hours before operating. It is not recommended to transport upright cabinets in the horizontal position and any damage arising from such action is not covered by warranty.

#### ATTENTION

Recommendations written on the outside of the transport packaging are for the user's benefit. Therefore the following recommendations should be observed:

- Carry the product carefully.
- Keep the product dry.
- Do not use the top of the cabinet for storage.

# HOSHIZAKI

## Snowflake GII



### OPENING THE PACKAGING

- Remove the cardboard and any other packaging material.
- Lift the cabinet to disconnect and remove it from the pallet.
- Place the cabinet in the desired location, standing on its own base.
- Check for any visible damage.
- Packaging materials can be recycled according to local recycling regulations.
- Verify that the product code and serial number match the same on any shipping documents.

### Upright Cabinets

Trade mark			HOSHIZAKI			
Model name			SUR-65DG	SUR-135DG	SUF-65DG	SUF-135DG
Intended use			Storage	Storage	Storage	Storage
Chilled operating temperature			X	X		
Frozen operating temperature					X	X
Multiuse cabinet						
Vertical cabinet			X	X	X	X
Counter cabinet						
Parameter	Symbol	Unit				
Energy Efficiency Class	EEC	-	D	D	D	E
Energy Efficiency Index	EEl	-	74.96	74.69	74.57	77.54
24 hour Energy Consumption	E24h	kWh	2.61	3.97	7.01	11.50
Annual Energy Consumption	AEC	kWh	952.65	1449.05	2558.65	4198.00
Net volume for compartment 1	Vn or Vn1	litre	402.8	405.2	397.6	400.0
Net volume for compartment 2	Vn2	litre	-	405.2	-	400.0
Net volume for compartment 3	Vn3	litre	-	-	-	
Net volume for compartment 4	Vn4	litre	-	-	-	
Total Net volume	VnT	litre	402.8	810.3	397.6	800.0
Climate Class	CC		5	5	5	4
Refrigerant			R290	R290	R290	R290
Charge		kg	0.068	0.104	0.106	0.142
GWP			3	3	3	3
CO2 Equivalent		t. CO2	0.204	0.312	0.318	0.426
Heavy-duty; This appliance is intended for use in ambient temperatures up to 40°C			X	X	X	
Contact details:	HOSHIZAKI EUROPE B.V.					
	Address: Burgemeester Stramanweg 101 1101 AA Amsterdam, The Netherlands Tel.: +31 (0)20 691 8499 <a href="http://hoshizaki.europe.com/">http://hoshizaki.europe.com/</a>					

# HOSHIZAKI

## Snowflake GII



### Refrigerated Counters

Trademark			Hoshizaki								
Model Name			SCR-130DG			SCR-180DG			SCR-225DG		
Configuration doors/drawers			LR	22	32	LRR	222	332	LLRR	2222	3332
Intended use			Storage			Storage			Storage		
Chilled operating temperature			X	X	X	X	X	X	X	X	X
Frozen operating temperature											
Multi use cabinet											
Vertical Cabinet											
Counter cabinet			X	X	X	X	X	X	X	X	X
Parameter	Symbol	Unit									
Energy Efficiency Class	EEC		C	C	C	C	C	C	C	D	D
Energy Efficiency Index	EEl		40.63	36.21	36.93	37.89	43.39	45.00	43.54	60.06	63.23
24 hour Energy Consumption	E24h	kWh	2.48	2.10	2.10	2.54	2.71	2.71	3.18	4.02	4.02
Annual Energy Consumption	AEC	kWh	905.20	766.5	766.5	927.10	989.15	989.15	1160.70	1467.30	1467.30
Net volume for compartment 1	Vn1	litre	85.7	63.9	47.9	85.7	63.9	47.9	85.7	63.9	47.9
Net volume for compartment 2	Vn2	litre	85.7	63.9	63.9	85.7	63.9	47.9	85.7	63.9	47.9
Net volume for compartment 3	Vn3	litre				85.7	63.9	63.9	85.7	63.9	47.9
Net volume for compartment 4	Vn4	litre							85.7	63.9	63.9
Total Net volume	VnT	litre	171.4	127.8	111.8	257.1	191.7	159.7	342.8	255.6	207.6
Climate class	CC		5			5	4	4	5	4	4
Refrigerant			R290			R290			R290		
Charge		kg	0.055			0.079			0.095		
GWP			3			3			3		
CO2 Equivalent		t.CO2	0.165			0.237			0.285		
Heavy-duty; This appliance is intended for use in ambient temperatures up to 40°C			X	X	X	X			X		
Contact details:	HOSHIZAKI EUROPE B.V.  Address: Burgemeester Stramanweg 101 1101 AA Amsterdam, The Netherlands Tel.: +31 (0)20 691 8499 <a href="http://hoshizaki.europe.com/">http://hoshizaki.europe.com/</a>										



# HOSHIZAKI

## Snowflake GII

### II. OPERATING INSTRUCTIONS

---

#### ELECTRICITY

Before connecting the product to electrical power, please verify that the specified electrical power supply on the product description label corresponds with the local network electrical power supply.

The Product Description label with the specified electrical power supply can be found on the inside of the cabinet, at the top left-hand side.

Installation of the product must only be undertaken by qualified and trained service personnel as per the specifications listed in this manual.

Electrical safety of this cabinet can only be valid if its earthed in accordance to current local laws and regulations.

Earthing of the product is always required.

The manufacturer will not accept any responsibility for any damage arising from improper grounding.

Adhere to all electricity requirements stipulated by the local electrical regulations. The product's electricity plug and wall socket must have the correct earth connectivity reading. If necessary employ a qualified electrician.

#### GENERAL PRELIMINARY CHECKS

Make sure the cabinet is standing on level ground and is upright. If necessary, the adjustable feet of the cabinet can be used to achieve this. All feet should be in contact with the ground. This is necessary for the proper operation of the cabinet door.

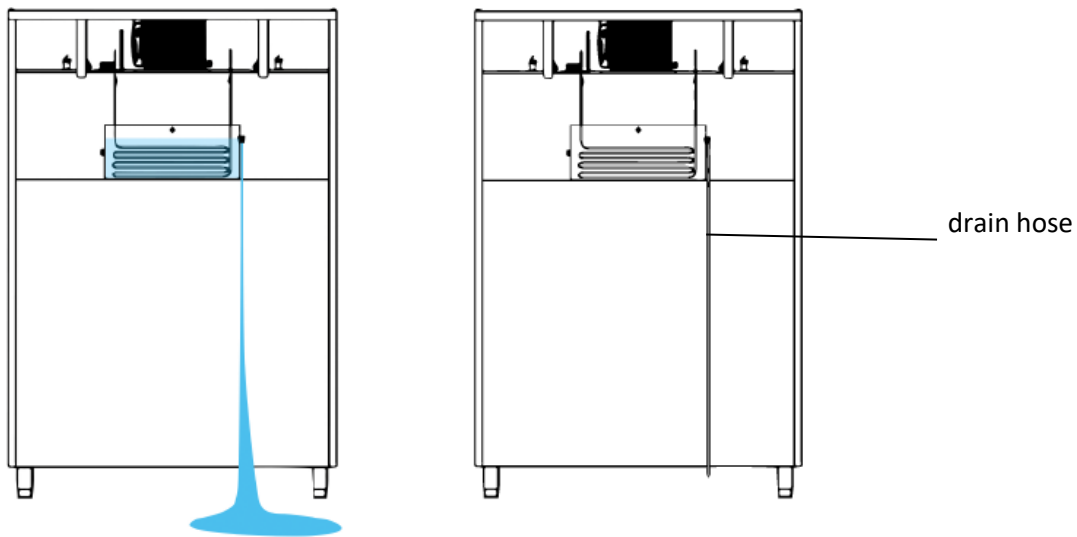
Do not place the cabinet next to any heat generating devices such as ovens, grills, and deep fryers. Do not expose to direct sun light. Heat that may be radiated by walls or floors must be insulated with appropriate insulating material. The cabinet should be placed as far as possible from any heat source.

If the cabinet is re-located, allow three hours before re-starting. Plastic protection or tape should be removed from the outer surfaces.

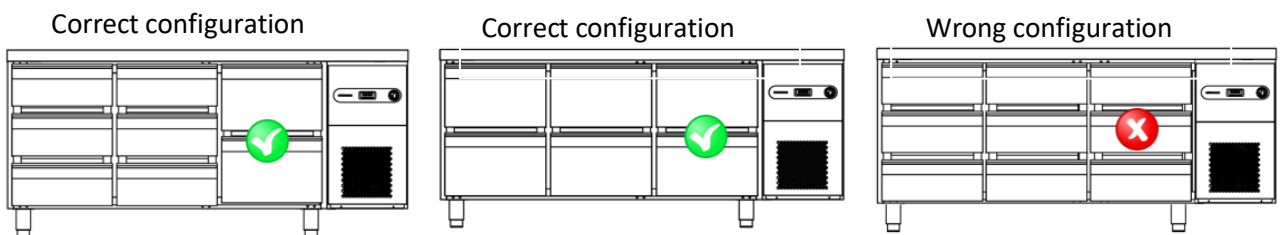
Ensure the cabinet is positioned so sufficient air can flow to/from the cooling circuit and around the surfaces of the cabinet. Leave at least 500 mm free space from the top of the cabinet.

Do not block any vent holes.

# HOSHIZAKI Snowflake GII



In case of water overflow from the re-evaporation tray on the back of an upright cabinet the user must connect a drain hose (6mm in diameter) to the tray. The hose shall lead to the floor/drain in the floor. There is quick connector on the drain pan where the user can connect drain hose.



Certain SCR models are prepared for changing the door/drawer configuration. However, a drawer set with 3 pcs. 1/3 drawers can NEVER be placed next to the compressor compartment. Contact your dealer for more information.

## PRELIMINARY DEFROST WATER CHECK

The upright cabinets are constructed to allow up to 72 door openings per day according to EN16825. If the use of the door is excessive of this level it is necessary to connect the drain pipe(s) to an external drain.

## PRELIMINARY ELECTRICAL CHECKS

- Check that the mains voltage and frequency of the socket conform to the information on the product description label.
- The cabinet is connected to a mains outlet with a 13-16 Amp fuse as a serial connection.
- Turn off the mains fuse connected to the power cable.
- Check that the plug on the cabinet is suitable for use with the available mains socket and that they fit together.

# HOSHIZAKI

## Snowflake GII



### ATEX 2014/34 / EU Requirements:

- 1- The manufacturer and authorized technical service shall not assume any responsibility in case of losses and hazards that may arise due to the fact that infrastructure of area of use is not appropriate.
- 2- Ventilation speed in environment where the product is located shall not be less than 0,3 m/sec.
- 3- Capacity of ventilation fan must be at a capacity that is capable of changing ambient air 5 times at minimum 1 hour. The ventilation system to be installed must be in conformity with ATEX 2014/34/EU standards.
- 4- In the event of gas leak in the environment, warning assembly and device de-energizer at maximum 20% of LEL (lower explosive limit) value of gas must be connected to the system.
- 5- The environment must be equipped with gas detectors. Gas detectors must be installed at appropriate places that allow them to detect LPG and natural gas.
- 6- The manufacturer and seller firm do not have any responsibility for hazardous situations and damages that may occur because of interventions and modifications performed by those other than authorized service personnel who have received training on ATEX 2014/34/EU. In this case, atex certificate will be deemed null and void.
7. In the event of gas leak in the environment or if gas detectors emit warning, the cooler has to be de-energized, for this reason electrical installation has to be equipped with a system that cuts off electricity to the cooler in case of a gas leak.

### FIRST OPERATIONS AND CONTROLS

After the above checks have been completed, the cabinet can be operated.

The ON/OFF switch operates the cabinet.

After the cabinet is turned ON, the compressor will start running. The compressor will run until the factory pre-set temperature is reached. Foods should not be placed in the cabinet until the temperature setting has been adjusted to suit the foods to be cooled.

New temperature setting can be done through the controller as described in this manual.

### IMPORTANT

- Allow the product to cool to the set temperature before placing food items inside.
- Never exceed the maximum load capacity. The maximum shelf capacity is an even load of 40 kg each for shelves in upright cabinets and 20 kg for shelves and drawers in counter cabinets.
- Refer to the "General Preliminary Checks" section of this manual for information on the amount of space required for good air ventilation around the product.
- Do not store explosive substances such as aerosol cans with a flammable propellant in this appliance.

### WARNING:

- Do not block any ventilation openings on the appliance at any time.
- Do not use mechanical devices or other means to accelerate the defrosting process, other than those recommended by the manufacturer.
- Do not damage the refrigerant circuit.



# HOSHIZAKI

## Snowflake GII



### STORAGE CONDITIONS AND PERFORMANCE

Correct storage conditions are not only paramount to food hygiene and safety but improve the quality of service and reduce the energy consumption. Best performance can be achieved if the following tips and guidelines are observed: keep all food items on shelves only and never place food items on the floor of the cabinet.

Food items must be placed in the cabinet or counter in such a way as to allow good air flow all around, leaving space between items and the walls of the product. If required shelf distance can be adjusted accordingly.

### CONTROL PANEL



The control panel provides the following controls and functions:

1. SET key
  - Use to enter/set input values
2. ON/OFF key
  - Hold down for 4 seconds to turn the cabinet on or off
3. DOWN key
  - Use to scroll down through the menu or to change/reduce the value
4. UP key
  - Use to scroll up through a menu or to change/increase the value
  - Hold down for 4 seconds to start MANUAL DEFROSTING

### FRONT PANEL FUNCTIONS

The control panel can be locked and unlocked.

#### To lock the controls:

- Ensure that no procedure is in progress
- Do not operate for 30 seconds
- The display will show "LOC" for 1 second and the keyboard will lock automatically

#### To unlock the controls:

- Touch a key for one second: the display will show the message "UNL" for one second

### TEMPERATURE SETTING

1. Ensure that the control panel is not locked and that no procedure is on progress.
2. Touch the SET key, the \* LED will flash.
3. Change the temperature setting by the use of the UP and DOWN arrows.
4. Touch the SET key or do not operate for 15 secs. The \* LED will stop showing and the controller will exit this procedure.
5. To exit the temperature setting procedure before it is complete.

# HOSHIZAKI

## Snowflake GII



- a. Touch the ON/OFF key (any changes will not be saved). The working set point can also be set via the SP parameter.

### TEMPERATURE DISPLAY (as detected by probes)

1. Ensure that the control panel is not locked and that no procedure is in progress.
2. Press the DOWN arrow for 4 seconds: the display will show the first probe available.
3. Select the correct probe using the UP and DOWN arrows.
4. Press the SET key.

This table shows the codes for each of the probes.

Label	Displayed temperature
<b>Pb1</b>	Cabinet temperature
<b>Pb2</b>	Evaporator temperature

To exit the procedure, press the SET key for 60 seconds or do not operate for 60 seconds. Then press the ON/OFF key.

Note: if the evaporator probe is not present, the Pb2 code will not be displayed.

### TEMPERATURE ALARMS

This is a list of alarms shown by this cabinet.

CODE	ALARM TYPE	CRITICAL VALUE
AL	Low temperature alarm	Low cabin temperature during this alarm
AH	High temperature alarm	High cabin temperature during this alarm
Id	Open door alarm	Maximum cabin temperature during this alarm

Alarm recording can only be done while the cabinet is turned on.

When the cause of the alarm is no longer present, the cabinet will return to normal operation.

### ACCESS TO ALARM HISTORY

1. Press the DOWN button for 2 seconds to show the first code
2. Press and release the UP button or select LS by pressing the DOWN button
3. Press and release the SET button: one of the codes above will be shown

To select an alarm, press the UP button till AH is shown.

To show alarm information, press and release the SET key (the flashing HACCP LED will stop).

### DISPLAY TEXTS AND THEIR MEANING

8.0	Critical values 8.0 °C/°F
Dur	The display shows the alarm time
h01	1-hour alarm (cont.)
n15	1 hour and 15-minute alarm
AH	Selected alarm

To exit the historical display, press and release the ON/STANDBY button repeatedly.



# HOSHIZAKI

## Snowflake GII

To exit the process, repeatedly press the UP or DOWN buttons until the display shows the cabinet temperature or wait 60 seconds without pressing any buttons.

Alternative Exit method: press and release the ON/STANDBY button. If there are no alarms recorded, the LS code will not be displayed.

### ERROR CODES

Code	Description
Pr1	Cabinet probe error
Pr2	Evaporator probe error

The correction of these errors can only be undertaken by qualified technical personnel.

### OPERATION STATUSES

Available operation statuses are listed below:

Status	Description
ON	The cabinet is powered up and operating
STANDBY	The cabinet is powered up but switched off
OFF	The cabinet has no power, the plug is not in the socket, or the main isolator is turned off

### IMPORTANT

Do not carry out any maintenance or repair while the cabinet is in on or standby mode. Only when the power supply is completely isolated from the cabinet can any works be done.

# HOSHIZAKI

## Snowflake GII



### III. MAINTENANCE INSTRUCTIONS

---

This section is particularly intended for the owner/user of the product. It provides important information on the correct usage and for the maximisation of the product's life span.

Few simple steps during usage and adjustment can reduce the need for expensive repairs by service technicians. These steps do not require special technical knowledge.

#### IMPORTANT

Before you begin cleaning and maintenance on the product, make absolutely sure the power supply has been turned off and cannot be reconnected accidentally by anyone else.

#### ATTENTION

Do not wash the product with high pressure water. Avoid any possibility spraying into the electrical components.

#### CLEANING

- It is recommended that periodically the inside of the cabinet is cleaned with disinfecting detergents. Internal cleaning of the cabinet should be carried out by using warm and slightly soapy water.
- Only pH neutral or slightly alkaline detergents may be used to clean the interior and the exterior of the cabinet.
- Damage caused by cleaning products containing chemicals that could damage stainless steel is not covered by the warranty.
- Never use metal implements, metal scouring pads nor scouring creams or powders.
- Dirt can be cleaned with a damp cloth.
- Keep the ventilation grilles of the cabinet clean and clear at all times.
- Shelves are removable for easy cleaning access.
- Ensure that the shelf runners and shelves themselves are cleaned thoroughly.

#### IMPORTANT

The product is made out of stainless steel. When used in normal conditions stainless steel does not corrode, however corrosion of stainless will occur if corrosive detergents are used.

#### ROUTINE MAINTENANCE

##### CONDENSER

It is very important that the condenser is capable of maximum heat transfer. Therefore, the surface of the condenser must always be clean and clear. Due to the effect of the fan, dust will accumulate on and inside the condenser fins. A vacuum cleaner with a brush attachment can be used to clean the condenser.

Pay particular attention to avoid causing any damage to the condenser fins or the fan blades.

If there is a filter, remove the filter to clean it and then replace it. Replace the filter if it is damaged or too dirty to clean properly.

# HOSHIZAKI

## Snowflake GII



---

### ATTENTION

When pushing back the condensing unit after cleaning please ensure that the drip water hose is pointing into the drip water tray.

#### DOOR/DRAWER GASKETS

A gasket in good condition will prevent humidity and warm air ingress into the cabinet, therefore it is vital for the good economical running of the cabinet.

#### POWER CABLE

If the supply cord is damaged, it must be replaced by the manufacturer, its service agent or similarly qualified persons in order to avoid a hazard.

#### PREPARATION FOR LONG-TERM PERIODS WITHOUT USE

- Turn off the power at the main isolator or remove the cabinet plug from the socket.
- Remove all food items from the cabinet.
- Clean the cabinet (refer to cleaning section).
- Remove accumulated dust and dirt from the compressor.
- To prevent any unpleasant odours, do not fully close the door.

### ATTENTION

When disconnecting the product please be aware that thawing water might drip from the cabinet on to the floor. This can cause damage to the floor and cause slippery conditions.

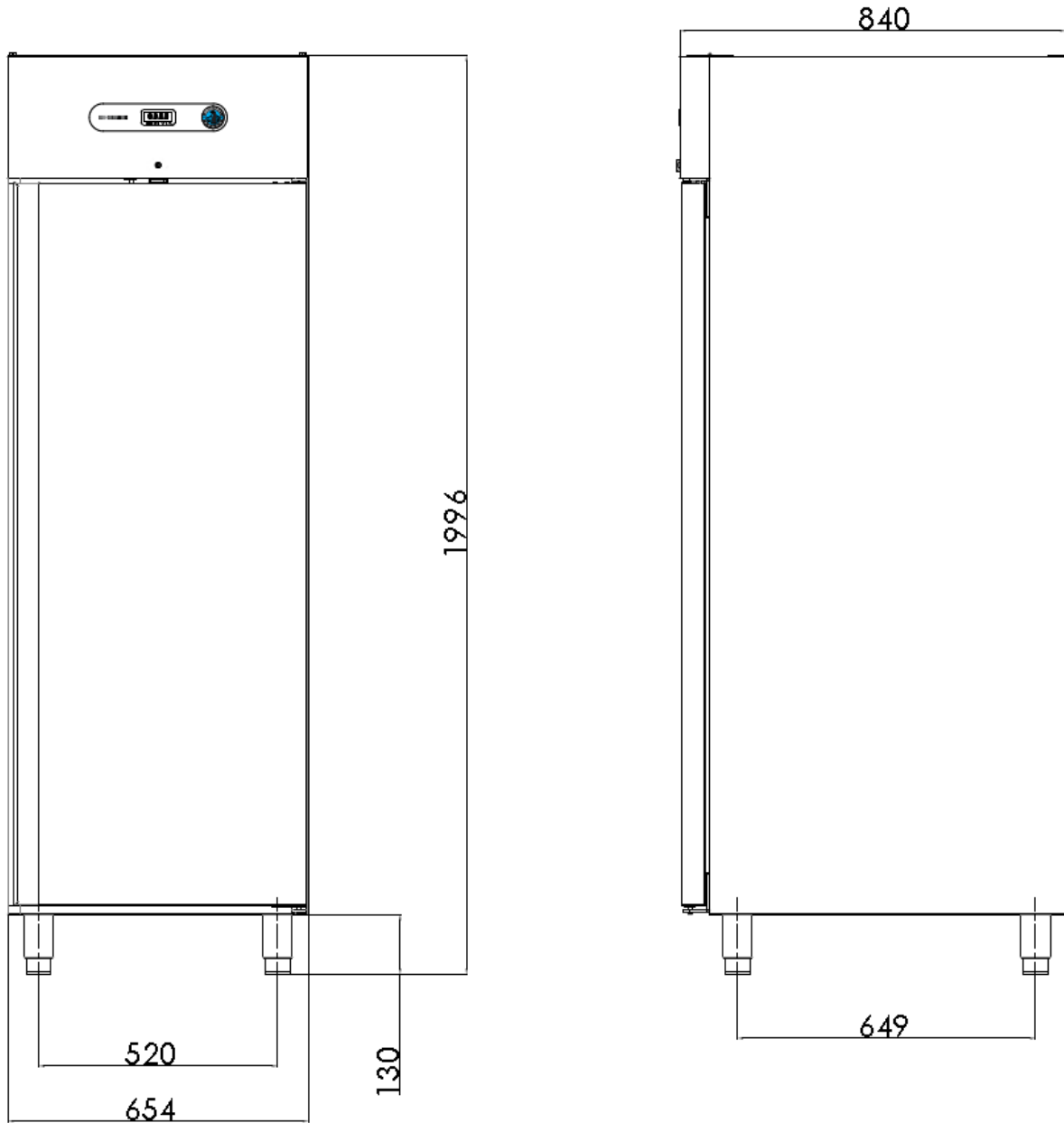
# HOSHIZAKI Snowflake GII



## IV. TECHNICAL INFORMATION

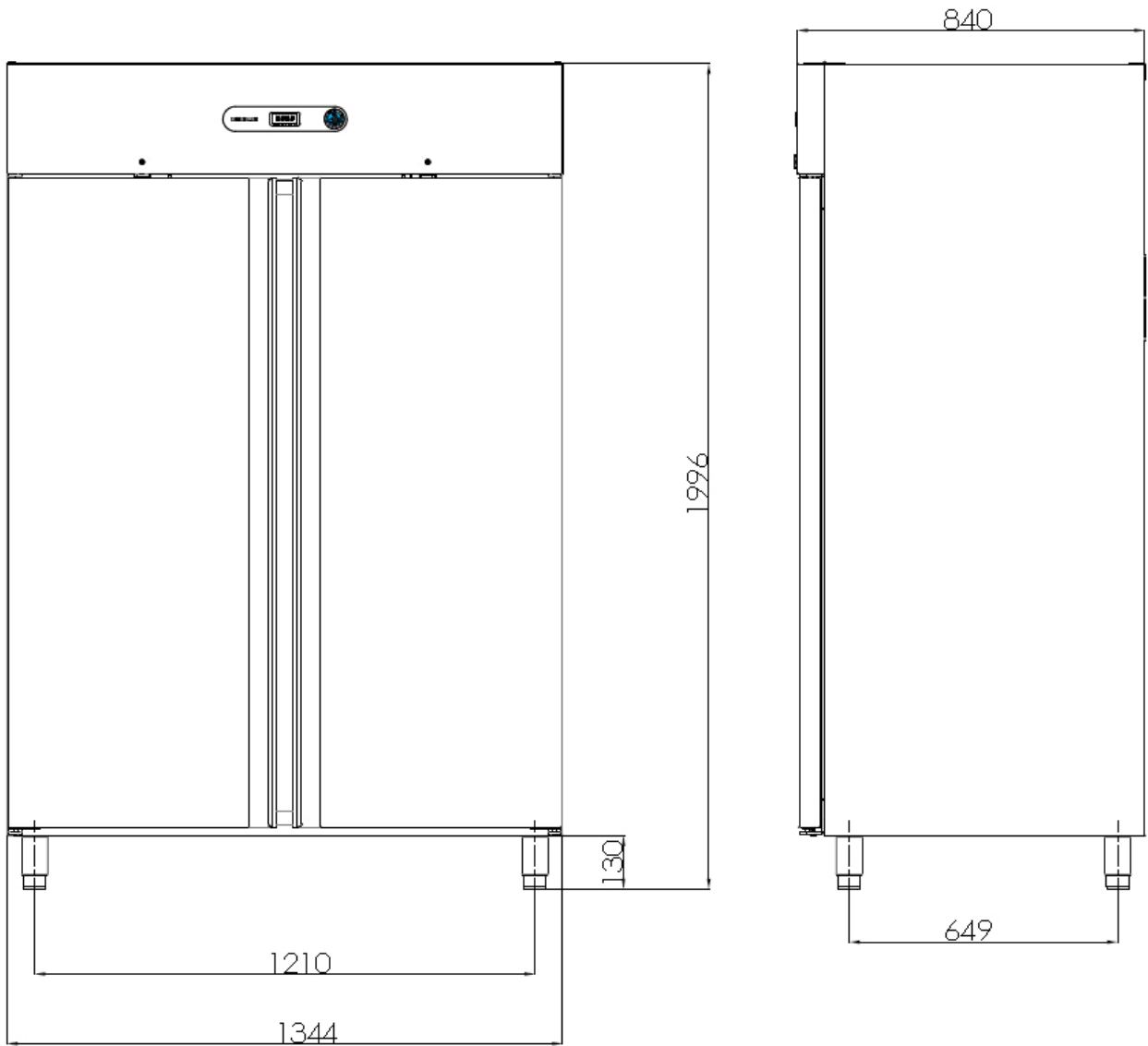
### DIMENSIONS OF THE PRODUCTS

SUR-65DG & SUF-65DG



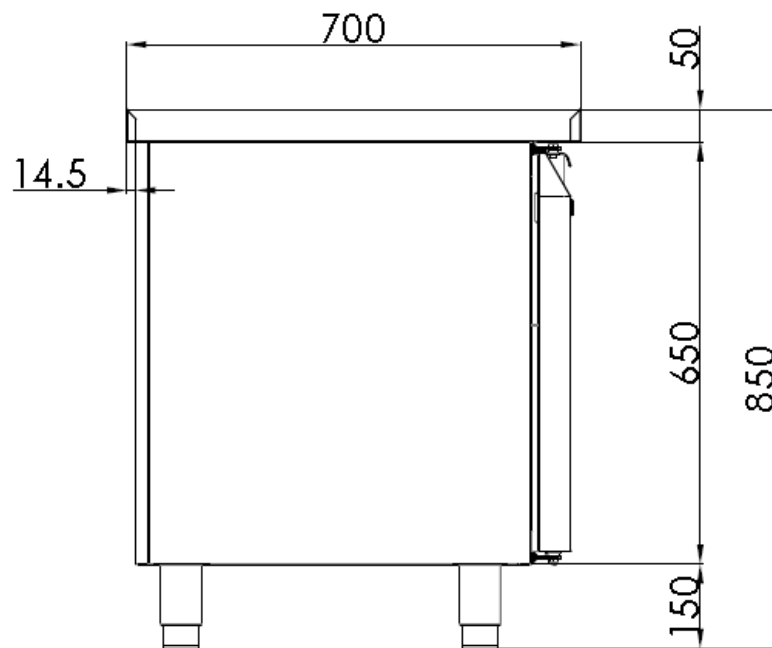
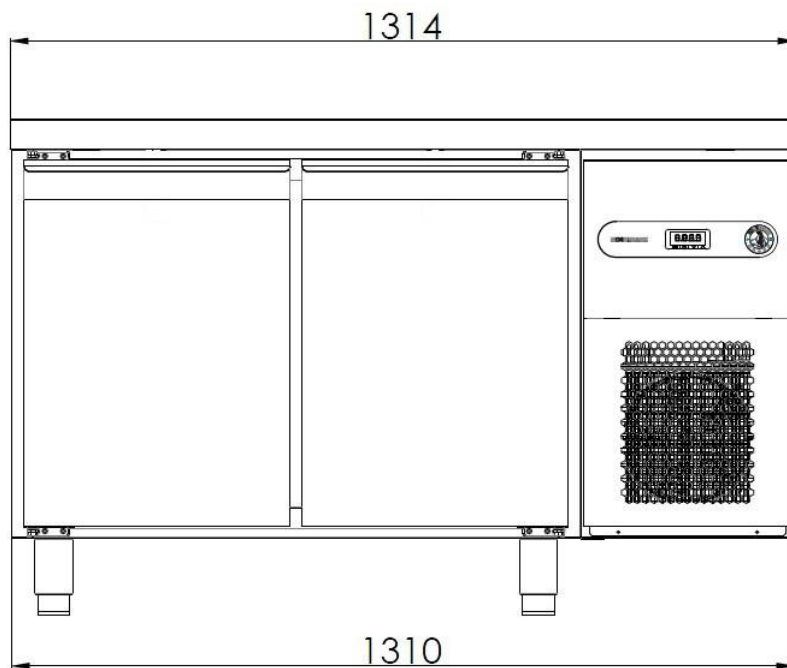
# HOSHIZAKI Snowflake GII

SUR-135DG & SUF-135DG & SUF-135DG



# HOSHIZAKI Snowflake GII

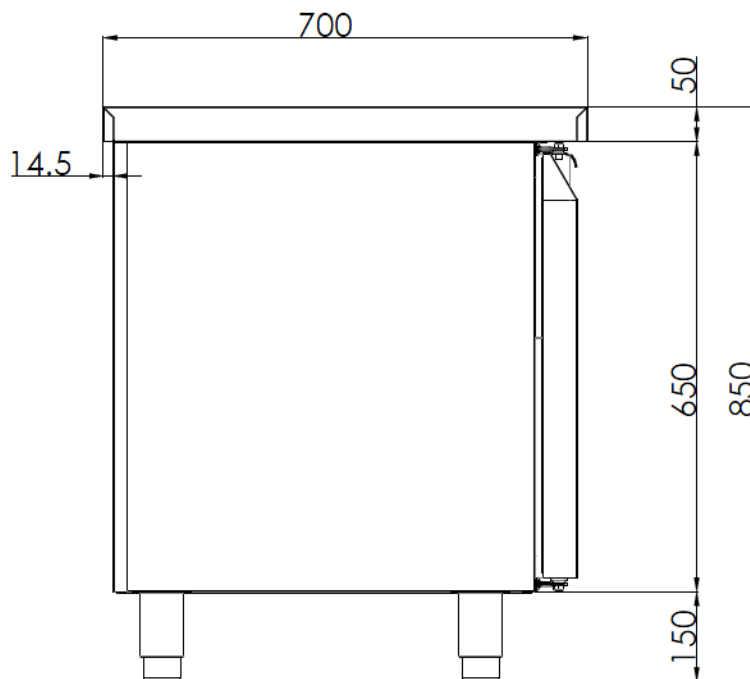
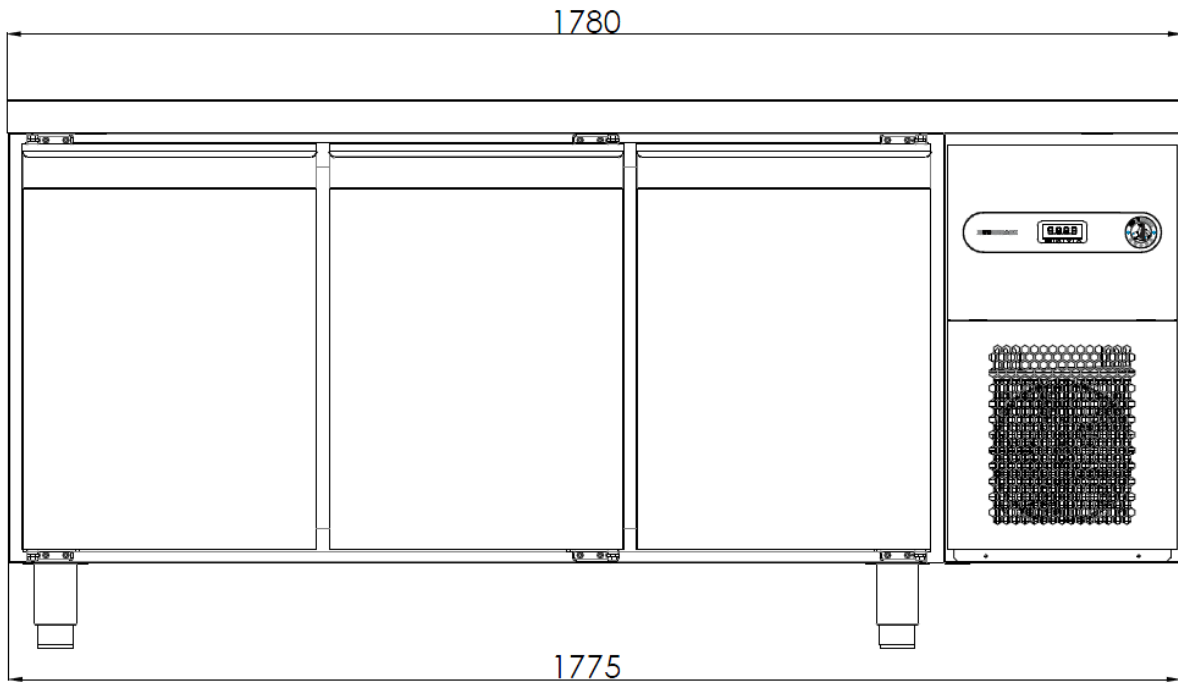
SCR-130DG





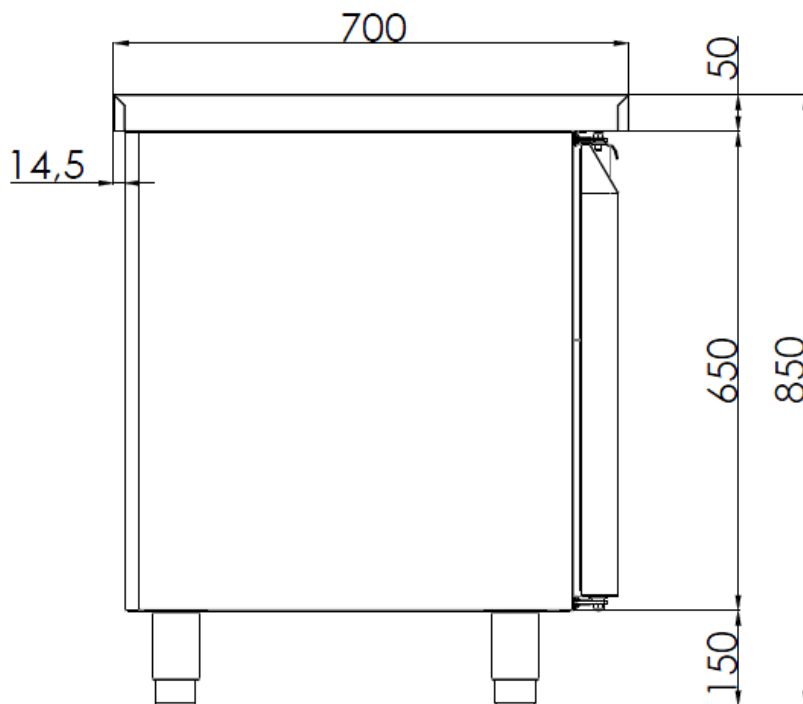
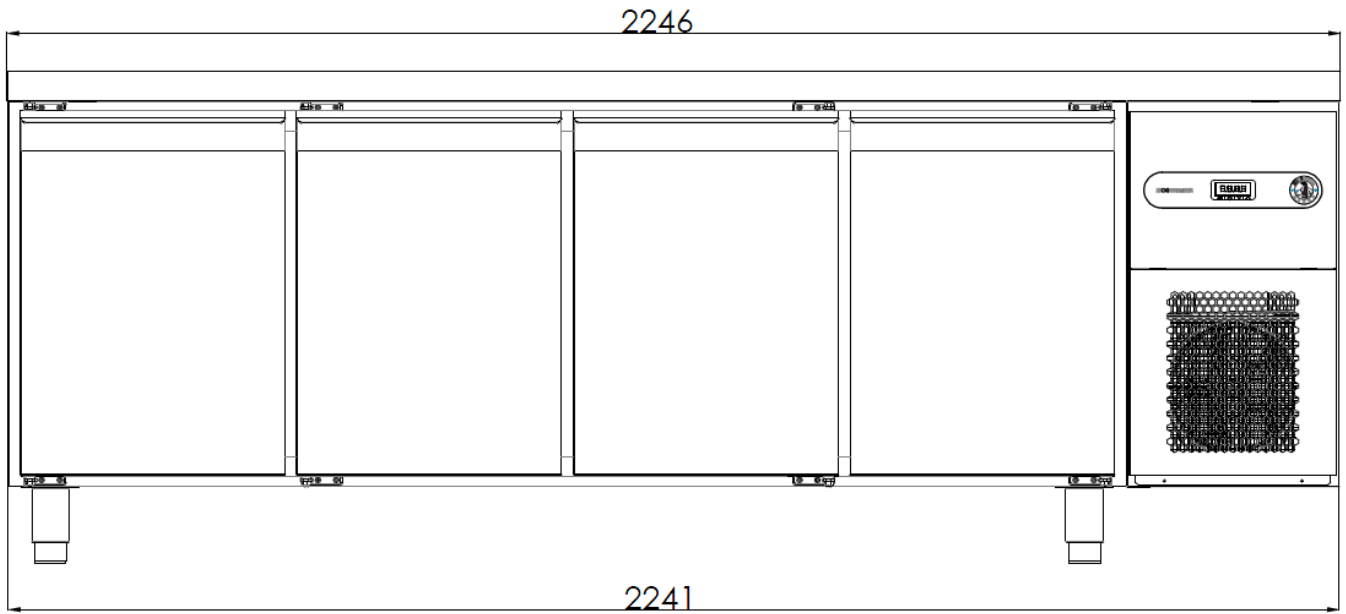
# HOSHIZAKI Snowflake GII

SCR-180DG



# HOSHIZAKI Snowflake GII

SCR-225DG

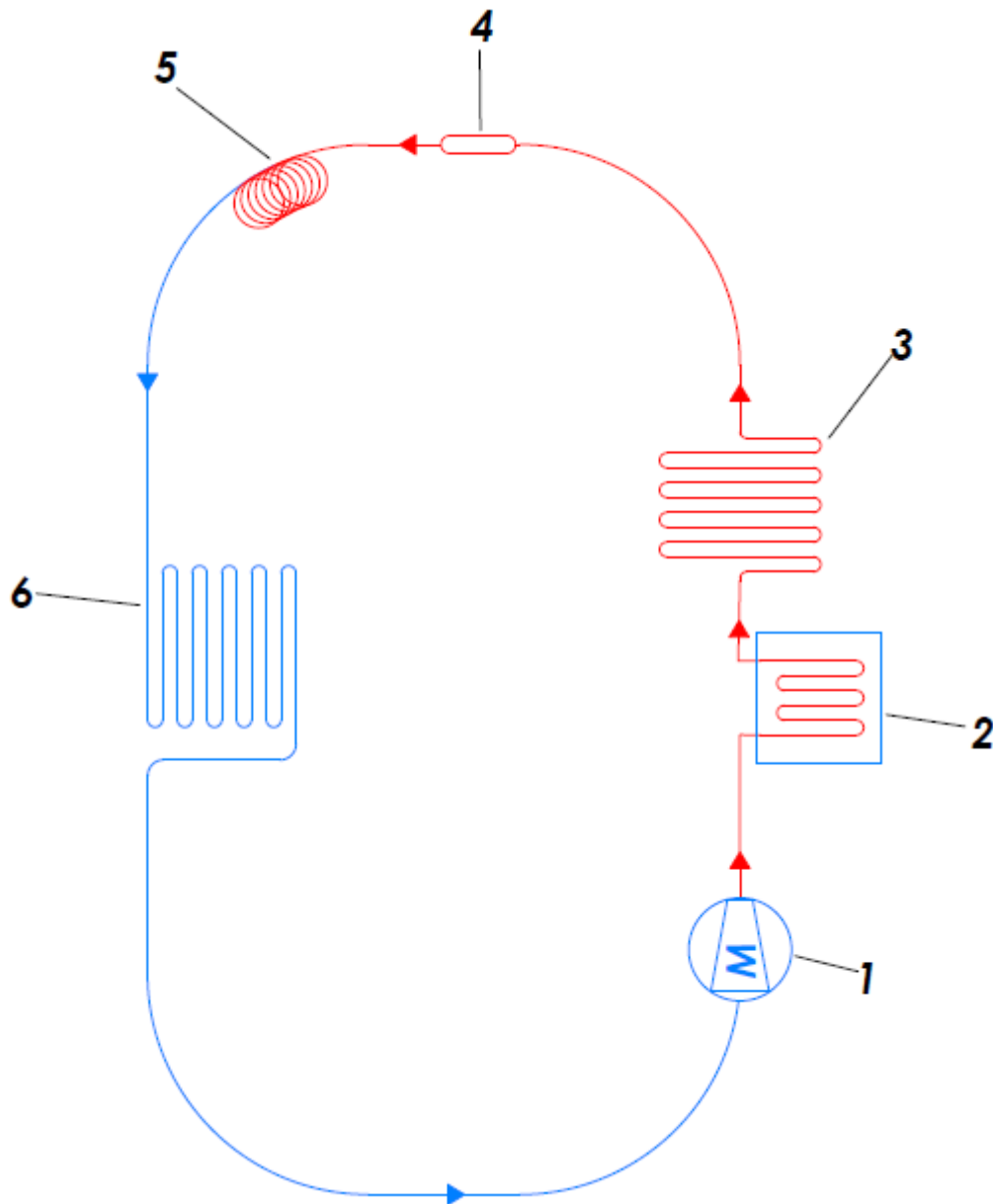


# HOSHIZAKI Snowflake GII

TECHNICAL ELEMENTS – COOLING



## Standard Cooling System



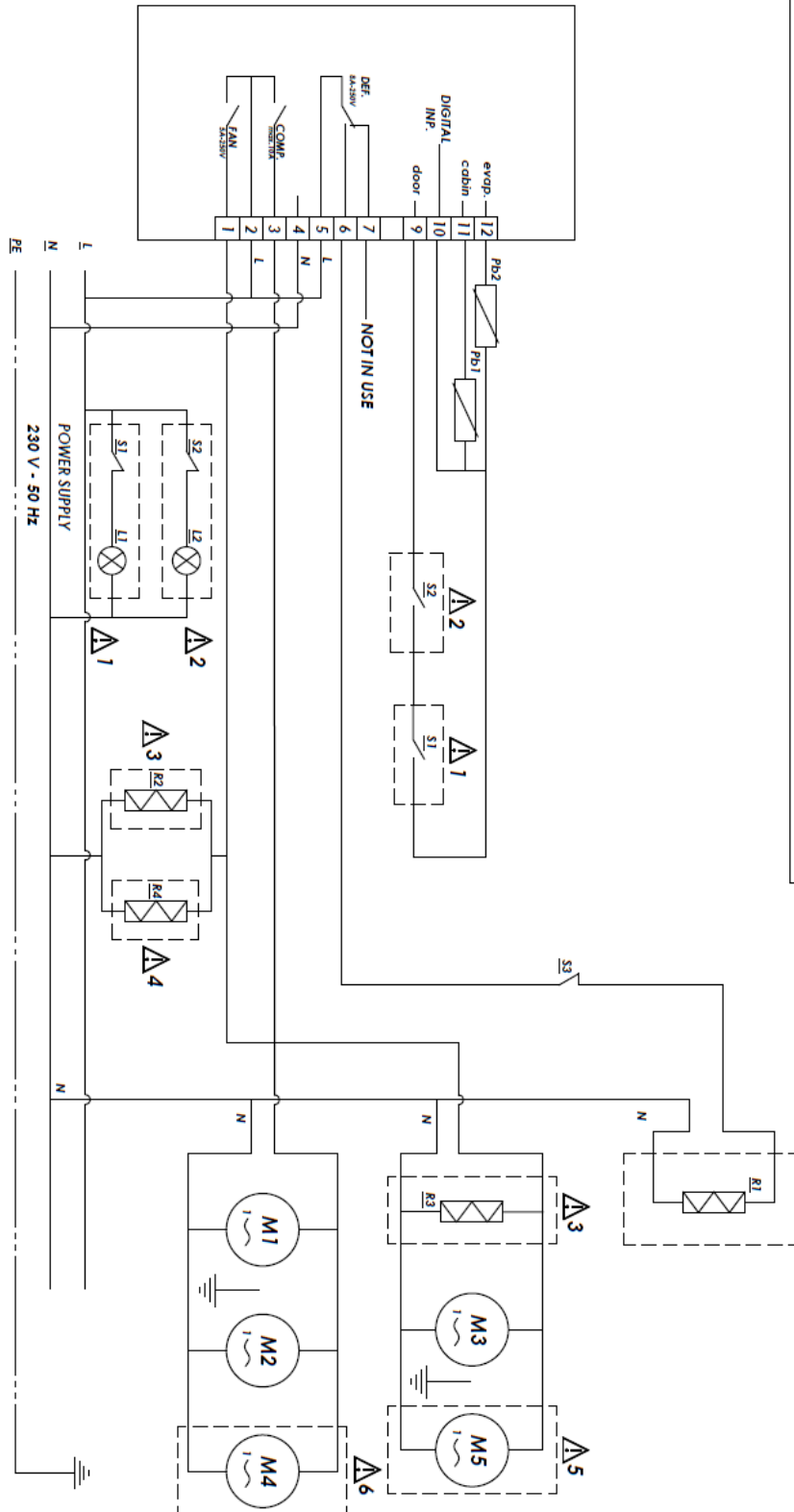
- 1 Compressor
- 2 Drain pan (2 pcs. for double door freezers)
- 3 Condenser
- 4 Dryer
- 5 Capillary tube
- 6 Evaporator



# HOSHIZAKI Snowflake GII

## TECHNICAL ELEMENTS –ELECTRICITY

EVCO EV3B23N7 Models Digital Thermostat



### DESCRIPTIONS

- △1 Available only on SUR/SUF 135.
  - △2 Not available on counter type models.
  - △3 Available only on SUF 65
  - △4 △5 △6 Available only on double door freezer
- 
- S1: Door Switch 1
  - S2: Door Switch 2
  - S3: Thermal Protector
  - M1: Compressor
  - M2, M4: Condenser Fan
  - M3, M5: Evaporator Fan
  - Pb1: Cabin Probe
  - Pb2: Evaporator Probe
- 
- R1: Defrost Heater
  - R2, R4: Drain Line Heater
  - R3: Door frame cable heater
  - L1/L2: Led light

# HOSHIZAKI

## Snowflake GII



### V. SERVICE DIAGNOSIS

The table below lists several problems that you may encounter. If an alarm code is displayed, a malfunction has occurred. Please correct any possible causes before resetting the cabinet. Potential causes and remedies are listed below.

If an error code persists after you have carried out the checks below, please contact an authorized technician. The characteristics of the error message must be determined. Product details including the serial number can be found on the nameplate of the product.

PROBLEM	POSSIBLE CAUSE	REMEDY	
The cabinet is not working	No power is supplied to cabinet	Check the power plug and cable are fault free	
The compressor seldom stops running	Ambient temperature is too high	Ventilation needs to be improved	
	Condenser or condenser filter are blocked	Check and clean condenser filter regularly	
	Low refrigerant charge	Call authorized technician to repair a leak	
	Door gaskets are not sealing properly	Call authorized technician to replace seals	
	Evaporator is iced up		Do not place hot food items in the cabinet
			Do not place food items with high water content inside cabinet unless they are stored in sealed containers
			Start a manual defrosting cycle
Evaporator fan/fans are faulty	Call authorized technician to replace the fan/fans		
Overflowing water from the condenser water tray	Frequent placement of hot food items in the cabinet	Do not place hot food items in the cabinet	
		Only place food items with high water content in sealed containers in the cabinet	
	Frequent opening of door or drawers	Verify whether cabinet specifications confirm it is suitable for current usage	
Cabinet temperature is high	Condenser is blocked with dirt and dust	Check and clean condenser filter regularly	
	Air flow within cabinet is blocked	Remove items of food blocking the air flow	
	Ambient air is entering cabinet	Ensure door is closed	
		Check for damage to the door and drawer seals	
		Contact an authorized technician	
Evaporator is iced up	Start a manual defrosting cycle		

# HOSHIZAKI

## Snowflake GII

---



### VI. REMOVAL AND REPLACEMENT

#### REPLACING THE INTERIOR LIGHTBULB

- Turn off the power at the main isolator or remove the cabinet plug from the socket.
- Open the door.
- Remove the screw securing the canopy and then lift the canopy.
- Ensure that the new bulb has the same rating as the old bulb. Voltage and wattage are printed on the bulb.
- Remove and replace the lightbulb.

#### DISPOSING OF THE CABINET

- The cooling gas present in the cabinet can be identified from the nameplate.
- The cabinet is produced from recyclable materials in accordance with EU regulations. Therefore, at the end of its economic life, the cabinet must be passed to the appropriate recycling centre for disposal.
- Do not recycle the cabinet as metal or household waste.
- Do not compact the cooling plant refrigeration circuit.

#### IMPORTANT

Adhere to local by-laws and regulations during disposal of the cabinet.



# HOSHIZAKI

## Snowflake GII

All Rights Reserved

---

Hoshizaki reserves the right to change any features and the information in this manual.

### Contact Details

#### Headquarters

##### **Hoshizaki Europe B.V.**

TEL: +31 20 691 8499

Sales@hoshizaki.nl

<http://hoshizaki-europe.com/>

#### Branches

##### **Hoshizaki UK - UK, Ireland**

TEL: +44 845 456 0585

uksales@hoshizaki.co.uk

##### **Hoshizaki Deutschland - Germany, Switzerland, Austria**

TEL: +49 2154 92810, +49 5066 604612

info@hoshizaki.de

##### **Hoshizaki BENELUX - Netherlands, Belgium, Luxembourg**

TEL: +31 20 565 0420, +31 54 645 4252

sales@hoshizaki.nl

##### **Hoshizaki France - France**

TEL: +33 1 48 63 93 80

info@hoshizaki.fr

##### **Hoshizaki Iberia - Spain, Portugal**

TEL: +34 93 478 09 52

info@hoshizaki.es

##### **Hoshizaki Middle East - Middle East**

TEL: +971 48 876 612

sales@hoshizaki.ae

##### **Hoshizaki Danmark – Denmark, Norway, Sweden**

TEL: +45 8988 5350

salg@hoshizaki.dk

##### **Hoshizaki Europe B.V – All other countries in Europe and Africa**

TEL: +31 20 565 0420

sales@hoshizaki.nl

# HOSHIZAKI Snowflake GII

---





# HOSHIZAKI Snowflake GII



REFRIGERATEURS ET CONGELATEURS

MANUEL D'UTILISATION, D'ENTRETIEN ET D'INSTALLATION



<b>I. INFORMATIONS GÉNÉRALES</b>	<b>26</b>
<b>II. INSTRUCTIONS D'UTILISATION</b>	<b>30</b>
<b>III. INSTRUCTIONS D'ENTRETIEN</b>	<b>35</b>
<b>IV. INFORMATIONS TECHNIQUES</b>	<b>38</b>
<b>V. SERVICE DE MAINTENANCE</b>	<b>45</b>
<b>VI. ENLÈVEMENT ET REMPLACEMENT</b>	<b>46</b>

Coordonnées :

**HOSHIZAKI EUROPE B.V.**

Adresse: Burgemeester Stramanweg 101 1101 AA Amsterdam, The Netherlands

Tel: +31 (0)20 691 8499

<http://hoshizaki-europe.com/>


# HOSHIZAKI Snowflake GII



## I. INFORMATIONS GÉNÉRALES

### ÉTIQUETTE DE DESCRIPTION DU PRODUIT

1 Numéro de produit
2 Description du produit
3 Modèle
4 Fluide frigorigène (GWP)
5 Équivalent de CO2
6 Protection IP
7 Classe climatique
8 Date de production
9 Puissance - Courant
10 Tension - Fréquence
11 Élément chauffant
12 Pression du Système
13 Agent gonflant
14 Numéro de série

PRODUCT NUMBER	1
	
PRODUCT DESCRIPTION	2
MODEL	3
REFRIGERANT	4
CO2 EQUIVALENT	5
IP PROTECTION	6
CLIMATE CLASS	7
PRODUCTION DATE	8
POWER-CURRENT	9
VOLTAGE - FREQUENCY	10
HEATING ELEMENT	11
SYSTEM PRESSURE	12
BLOWING AGENT	13

S/N: 14



HOSHIZAKI EUROPE B.V. Burgemeester Stramanweg 101 1101 AA  
Amsterdam, The Netherlands



### LE BUT DE L'UTILISATION

- Ce produit est adapté à une utilisation dans des espaces intérieurs seulement et uniquement dans le but de conserver des aliments et des boissons.
- Le fabricant décline toute responsabilité pour tout dommage résultant d'une utilisation contraire à la directive indiquée dans ce manuel.
- En stockant les aliments dans ce réfrigérateur, il est nécessaire de s'assurer que la nourriture ne vient jamais en contact avec le corps de ce réfrigérateur.
- Tous les aliments doivent être complètement recouverts.
- Ne pas stocker d'aliments ou de liquides chauds dans ce réfrigérateur.
- Les boissons conservées dans des boîtes et des bouteilles en verre ne doivent pas être conservées à des températures inférieures à 0 ° C (point de congélation). Les canettes et les bouteilles en verre peuvent éclater en raison de la dilatation. Tous les contenants avec couvercles ne doivent pas être remplis complètement, une petite quantité d'espace doit être laissée pour la dilatation.
- Ce réfrigérateur est équipé d'une installation d'auto-dégivrage automatique. Il est également possible d'effectuer un dégivrage manuel. Ce dégivrage manuel n'implique pas de fermer le réfrigérateur durant de longues périodes, mais peut être effectué via le contrôleur. En aucun cas la force ou des outils à main ne peuvent être utilisés pour dégivrer ce réfrigérateur, tout dommage résultant d'une telle action est difficile à réparer.
- N'employez aucun moyen mécanique ou autre de dégivrage.
- Toute modification électrique ou mécanique de ce réfrigérateur annulera la garantie. Les modifications effectuées par des techniciens de maintenance non autorisés et les modifications autres que celles décrites dans ce manuel annuleront également la garantie. Le fabricant décline toute responsabilité pour les dommages résultant de ces modifications.

# HOSHIZAKI

## Snowflake GII



### CLASSE CLIMATIQUE

Le réfrigérateur est conçu pour fonctionner à des températures ambiantes et d'humidité spécifiques. Ceux-ci sont définis dans le système de classe climatique. Ces niveaux ne doivent jamais être dépassés. La classe climatique de ce produit se trouve sur l'étiquette de description de produit.

Classe Climatique	Températures ambiantes et humidité
4	+30°C avec 55 % RH
5	+40°C avec 40 % RH

### PREMIÈRE ACCEPTATION ET CONTRÔLES

Ce réfrigérateur a été emballé dans un matériau d'emballage de protection pour l'expédition. A la livraison, veuillez vérifier le réfrigérateur par rapport à tout dommage possible du au transport et que le modèle de réfrigérateur correspond à ce que vous avez commandé.

#### IMPORTANT

Toutes les opérations énumérées ci-dessous doivent se conformer pleinement à tous les règlements locaux et aux règles de sécurité. Respectez toutes les règles de sécurité actuelles lorsque vous utilisez ce produit.

### TRANSPORT

Lors du levage du produit à l'aide de machines, la capacité de levage d'une telle machine doit être vérifiée avant d'entreprendre de telles procédures.

#### IMPORTANT

Quand on utilise un chariot élévateur à fourche pour déplacer le produit, faire en sorte que les fourches soient insérées dans les ouvertures appropriées de la palette.

Une fois en mouvement, il faut veiller à la stabilité du produit. Si le centre de gravité n'est pas au centre du produit, cela le rend susceptible de basculer. Lorsque vous abaissez le produit avec un chariot à fourches assurez-vous que cela se fasse lentement et avec précaution.

Si cela s'avérait nécessaire pour le transport des réfrigérateurs verticaux en position horizontale, veuillez vous assurer que le réfrigérateur a été debout pendant au moins 2 heures avant de le faire fonctionner. Il est recommandé de ne pas transporter les réfrigérateurs verticaux en position horizontale et tout dommage résultant d'une telle action ne sont pas couverts par la garantie.

#### ATTENTION

Les recommandations écrites à l'extérieur de l'emballage de transport sont au bénéfice des utilisateurs. Par conséquent, les recommandations suivantes doivent être respectées :

- Porter le produit avec précaution.
- Garder le produit au sec.
- Ne pas utiliser le haut du réfrigérateur pour le rangement.

# HOSHIZAKI Snowflake GII



## OUVERTURE DE L'EMBALLAGE

- Retirer le carton et tout autre matériau d'emballage.
- Soulever le réfrigérateur pour le séparer et le retirer de la palette.
- Placer le réfrigérateur à l'endroit désiré, debout sur sa propre base.
- Vérifier tout dommage visible.
- Les matériaux d'emballage peuvent être recyclés selon les règlements de recyclage locaux.
- Vérifier que le code produit et le numéro de série correspondent sur tous les documents d'expédition.

## Armoires Réfrigérées

Marque Déposée			HOSHIZAKI			
Nom du Modèle			SUR-65DG	SUR-135DG	SUF-65DG	SUF-135DG
Intension d'utilisation			Storage	Storage	Storage	Storage
Température de refroidissement			X	X		
Température de congélation					X	X
Armoire à usage multiple						
Armoire réfrigérée			X	X	X	X
Comptoir réfrigéré						
Paramètre	Symbol	Unit				
Classe d'Efficacité Energétique	EEC	-	D	D	D	E
Index d'Efficacité Energétique	EEl	-	74.96	74.69	74.57	77.54
Consommation d'Énergie en 24 heures	E24h	kWh	2.61	3.97	7.01	11.50
Consommation d'Énergie annuelle	AEC	kWh	952.65	1449.05	2558.65	4198.00
Volume net pour le compartiment 1	Vn or	litre	402.8	405.2	397.6	400.0
Volume net pour le compartiment 2	Vn2	litre	-	405.2	-	400.0
Volume net pour le compartiment 3	Vn3	litre	-	-	-	-
Volume net pour le compartiment 4	Vn4	litre	-	-	-	-
Volume net total	VnT	litre	402.8	810.3	397.6	800.0
Classe Climatique	CC		5	5	5	4
Gaz Réfrigérant			R290	R290	R290	R290
Poids		kg	0.068	0.104	0.106	0.142
Potentiel de Réchauffement Planétaire			3	3	3	3
Equivalence CO2		t. CO2	0.204	0.312	0.318	0.426
Résistance; Cet appareil est à utiliser dans			X	X	X	
Détails du contact	HOSHIZAKI EUROPE B.V.					
	Burgemeester Stramanweg 101 1101 AA Amsterdam, The Netherlands Tel.: +31 (0)20 691 8499 <a href="http://hoshizaki.europe.com/">http://hoshizaki.europe.com/</a>					

# HOSHIZAKI Snowflake GII



## Comptoir Réfrigéré

Marque Déposée			Hoshizaki								
Nom du Modèle			SCR-130DG			SCR-180DG			SCR-225DG		
Configuration doors/drawers			LR	22	32	LRR	222	332	LLRR	2222	3332
Intension d'utilisation			Storage			Storage			Storage		
Température de refroidissement			X	X	X	X	X	X	X	X	X
Température de congélation											
Armoire à usage multiple											
Armoire réfrigérée											
Comptoir réfrigéré			X	X	X	X	X	X	X	X	X
Paramètre	Symbol	Unit									
Classe d'Efficacité Energétique	EEC		C	C	C	C	C	C	C	D	D
Index d'Efficacité Energétique	EEl		40.63	36.21	36.93	37.89	43.39	45.00	43.54	60.06	63.23
Consommation d'Energie en 24 heures	E24h	kWh	2.48	2.10	2.10	2.54	2.71	2.71	3.18	4.02	4.02
Consommation d'Energie annuelle	AEC	kWh	905.20	766.5	766.5	927.10	989.15	989.15	1160.70	1467.30	1467.30
Volume net pour le compartiment 1	Vn1	litre	85.7	63.9	47.9	85.7	63.9	47.9	85.7	63.9	47.9
Volume net pour le compartiment 2	Vn2	litre	85.7	63.9	63.9	85.7	63.9	47.9	85.7	63.9	47.9
Volume net pour le compartiment 3	Vn3	litre				85.7	63.9	63.9	85.7	63.9	47.9
Volume net pour le compartiment 4	Vn4	litre							85.7	63.9	63.9
Volume net total	VnT	litre	171.4	127.8	111.8	257.1	191.7	159.7	342.8	255.6	207.6
Classe Climatique	CC		5			5	4	4	5	4	4
Gaz Réfrigérant			R290			R290			R290		
Poids		kg	0.055			0.079			0.095		
Potentiel de Réchauffement Planétaire (GWP)			3			3			3		
Equivalence CO2		t.CO2	0.165			0.237			0.285		
Résistance; Cet appareil est à utiliser dans les températures ambiantes de plus de 40°C			X	X	X	X			X		
Contact details:	HOSHIZAKI EUROPE B.V. Address: Burgemeester Stramanweg 101 1101 AA Amsterdam, The Netherlands Tel.: +31 (0)20 691 8499 <a href="http://hoshizaki.europe.com/">http://hoshizaki.europe.com/</a>										

# HOSHIZAKI

## Snowflake GI



### II. INSTRUCTIONS D'UTILISATION

---

#### ÉLECTRICITÉ

Avant de connecter le produit à l'alimentation électrique, veuillez vérifier que l'alimentation électrique spécifiée sur l'étiquette de description du produit correspond à l'alimentation électrique du réseau local.

L'étiquette de description du produit avec l'alimentation électrique spécifiée se trouve à l'intérieur du réfrigérateur, en haut à gauche.

L'installation du produit ne doit être effectuée que par un personnel qualifié et formé selon les spécifications figurant dans ce manuel.

La sécurité électrique de ce réfrigérateur ne peut être valable que s'il est relié à la terre conformément aux lois et réglementations locales en vigueur.

La mise à la terre du produit est toujours nécessaire.

Le fabricant décline toute responsabilité pour tout dommage résultant d'une mauvaise mise à la terre.

Adhéz à toutes les exigences d'électricité stipulées par les réglementations électriques locales. La fiche d'alimentation du produit et la prise murale doivent avoir la bonne lecture de la connectivité à la terre. Si nécessaire employez un électricien qualifié.

#### CONTROLES GÉNÉRAUX PRELIMINAIRES

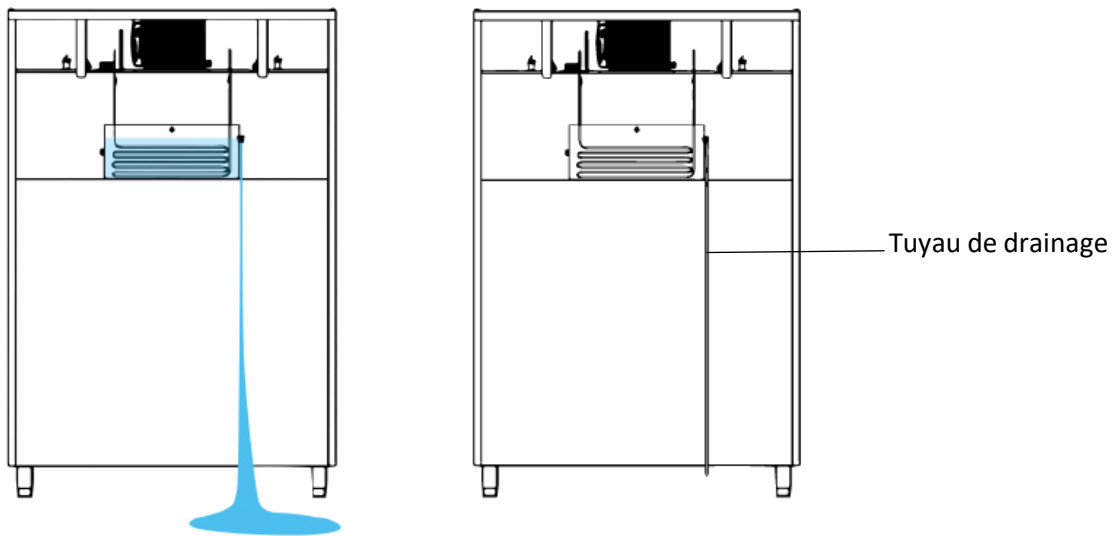
Assurez-vous que le réfrigérateur est debout sur un sol plat et qu'il est vertical. Si nécessaire, les pieds réglables du réfrigérateur peuvent être utilisés pour y parvenir. Tous les pieds doivent être en contact avec le sol. Ceci est nécessaire pour le bon fonctionnement de la porte du réfrigérateur.

Ne pas placer le réfrigérateur à côté de tout dispositif générateur de chaleur tel que fours, grills, et friteuses. Ne pas exposer à la lumière directe du soleil. La chaleur qui peut rayonnée par les murs ou les sols doit être isolée avec un matériau isolant approprié. Le réfrigérateur doit être aussi éloigné que possible de toute source de chaleur.

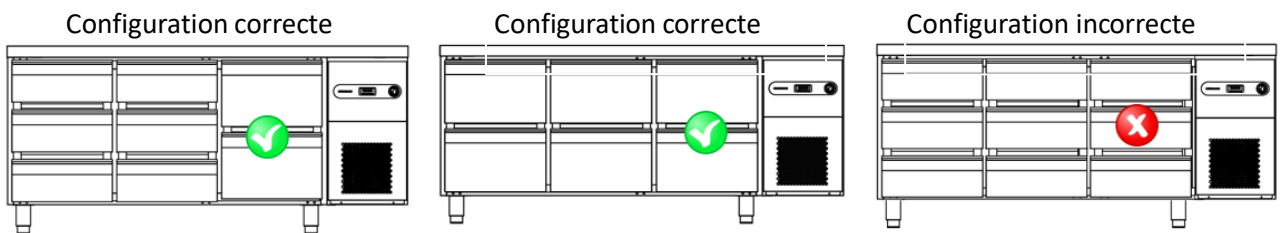
Si le boîtier est repositionné, attendez trois heures avant de le redémarrer. Une protection en plastique ou du ruban adhésif doit être retiré des surfaces externes.

Assurez-vous que l'armoire est positionnée de sorte qu'une quantité d'air suffisante puisse circuler vers / depuis le circuit de refroidissement autour de l'armoire. Laissez au moins 500 mm d'espace libre depuis le haut de l'armoire.

Ne bloquez pas les trous d'aération.



En cas de débordement d'eau du bac de ré-évaporation à l'arrière d'une armoire verticale, l'utilisateur doit raccorder un tuyau de vidange (6 mm de diamètre) au bac. Le tuyau doit conduire au sol / drain dans le sol. Il y a un connecteur rapide sur le bac de vidange où l'utilisateur peut connecter le tuyau de vidange.



Certains modèles SCR sont préparés en vue de changer la configuration de la porte / du tiroir. Cependant, un kit de tiroir avec 3 pièces, 3 tiroirs ne doit JAMAIS être placé à côté du compartiment du compresseur. Contactez votre revendeur pour plus d'informations.

## CONTRÔLE PREALABLE D'EAU DE DÉGIVRAGE

- Les armoires verticales sont conçues pour permettre jusqu'à 72 ouvertures de portes par jour selon EN16825. Si l'utilisation de la porte dépasse ce nombre, il est nécessaire de connecter le(s) tuyau(x) de vidange à une source extérieure

## CONTRÔLES ÉLECTRIQUES PRÉLIMINAIRES

- Vérifier que la tension et la fréquence de la prise de courant sont conformes à l'information sur l'étiquette de description du produit.
- Le réfrigérateur est relié à une prise secteur avec un fusible 13-16 Amp. en tant que connexion série.
- Éteindre le fusible secteur connecté au câble d'alimentation.
- Vérifier que la fiche du réfrigérateur est adaptée pour être utilisée avec la prise secteur disponible et qu'ils s'emboîtent.



# HOSHIZAKI

## Snowflake GII

### Exigences de la Directive Européenne 2014/34/EU pour les équipements destinés à être utilisés en zones ATEX (Atmosphères Explosibles):

- 1.- En cas de dommage ou risque dû à la non-conformité de l'installation dans le site d'utilisation, le constructeur et le service technique agréé n'acceptent aucune responsabilité.
- 2.- La vitesse de ventilation dans l'environnement où se trouve le produit ne doit pas être inférieure à 0,3 m/sec.
- 3.- La puissance du ventilateur d'aération doit être adaptée pour recharger au moins 5 fois par heure l'air dans l'environnement. Le système de ventilation à installer doit être conforme à la norme ATEX 2014/34/EU.
- 4.- En cas de fuite de gaz dans l'environnement, le système doit être capable de signaler et couper l'alimentation électrique du produit au niveau maximal de 20% de la valeur LEL (limite inférieure d'explosivité) du gaz.
- 5.- L'environnement doit être équipé de détecteurs de gaz. Les détecteurs de gaz doivent être installés aux endroits leur permettant de capter l'existence du gaz naturel ou GPL.
- 6.- Le constructeur et le vendeur ne sont pas responsables des situations dangereuses et dommages pouvant résulter des interventions et modifications réalisées par les personnes hors du personnel du service agréé ayant bénéficié de la formation sur la directive 2014/34/EU ATEX. En ce cas, le certificat ATEX est considéré invalide.
- 7.- En cas de fuite de gaz dans l'environnement ou avertissement provenant des détecteurs de gaz, il faut couper l'alimentation électrique du refroidisseur, c'est la raison pour laquelle, l'installation électrique doit être équipée d'un dispositif arrêtant l'alimentation électrique du refroidisseur en cas de fuite de gaz.

### PREMIERE OPERATION ET COMMANDES

Après que les vérifications ci-dessus ont été réalisées, le réfrigérateur peut être utilisé.

Le commutateur ON-OFF fait fonctionner le réfrigérateur.

Après l'activation du réfrigérateur, le compresseur commence à fonctionner. Le compresseur fonctionnera jusqu'à ce que la température préréglée en usine soit atteinte. Les aliments ne doivent pas être placés dans le réfrigérateur jusqu'à ce que le réglage de la température ait été ajusté en fonction de la nourriture à refroidir.

Un nouveau réglage de la température peut être fait par le régulateur comme décrit dans ce manuel.

### IMPORTANT

- Laissez le produit refroidir à la température réglée avant de placer les aliments à l'intérieur.
- Ne jamais dépasser la capacité de charge maximale. La capacité maximale de chaque étagère est de 40 kg dans les armoires et de 20 kg dans les comptoirs réfrigérés.
- Reportez-vous à la section « Vérifications préliminaires générales » de ce manuel pour obtenir des informations sur la quantité d'espace nécessaire pour une bonne ventilation de l'air autour du produit.
- Ne pas conserver dans cet appareil des substances explosives telles que des aérosols contenant des gaz propulseurs inflammables.

### AVERTISSEMENT

- Ne bloquez jamais les ouvertures de ventilation de l'appareil.
- Ne pas utiliser de dispositifs mécaniques ou d'autres moyens autres que ceux recommandés par le fabricant pour accélérer le processus de dégivrage.
- Ne pas endommager le circuit de réfrigération.



# HOSHIZAKI

## Snowflake GII

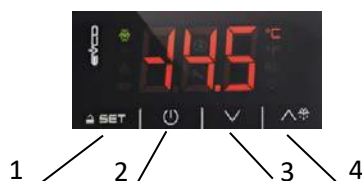


### CONDITIONS DE CONSERVATION ET PERFORMANCES

Des conditions de conservation correctes sont non seulement primordiales pour l'hygiène et la sécurité alimentaire, mais elles améliorent la qualité du service et réduisent la consommation d'énergie. De meilleures performances peuvent être obtenues si les conseils suivants sont respectés : conservez tous les aliments sur les étagères et ne placez jamais d'aliments sur le plancher du réfrigérateur.

Les aliments doivent être placés dans le réfrigérateur ou le comptoir de manière à permettre une bonne circulation de l'air tout autour, laissant un espace entre les éléments et les parois du produit. Si besoin, l'écart entre les étagères peut être ajusté en conséquence.

### PANNEAU DE CONTRÔLE



Le panneau de commande fournit les commandes et fonctions suivantes :

1. Touche SET
  - Utilisée pour entrer / définir des valeurs d'entrée
2. Touche ON/OFF
  - Maintenir enfoncé pendant 4 secondes pour mettre le réfrigérateur sous ou hors tension
3. Touche BAS
  - Utilisée pour faire défiler le menu ou pour modifier / réduire la valeur
4. Touche HAUT
  - Utilisée pour faire défiler dans un menu ou pour modifier / augmenter la valeur
  - Maintenir la touche enfoncée pendant 4 secondes pour démarrer le DÉGIVRAGE MANUEL

### FONCTIONS DU PANNEAU AVANT

Le panneau de commande peut être verrouillé et déverrouillé.

#### Pour verrouiller les commandes :

- Veiller à ce qu'aucune procédure ne soit en cours
- Ne pas faire fonctionner pendant 30 secondes
- L'écran affiche « LOC » pendant 1 seconde et le clavier se verrouille automatiquement

#### Pour déverrouiller les commandes :

- Appuyer sur une touche pendant une seconde : l'écran affiche le message « UNL » pendant une seconde

### REGLAGE DE LA TEMPERATURE

1. Veiller à ce que le panneau de contrôle n'est pas verrouillé et qu'aucune procédure n'est en cours
2. Appuyer sur la touche SET, le \* LED clignotera



# HOSHIZAKI

## Snowflake GII

3. Modifier le réglage de la température par l'utilisation des flèches BAS et HAUT.
4. Appuyer sur la touche SET ou ne pas faire fonctionner pendant 15 secondes. La \* LED va arrêter l'affichage et le contrôleur quittera cette procédure.
5. Pour sortir de la procédure de réglage de la température avant qu'elle soit terminée.
  - a. Appuyer sur la touche ON/OFF (les modifications ne seront pas enregistrées). Le point de consigne de travail peut également être réglé via le paramètre SP.

### AFFICHAGE DE LA TEMPÉRATURE (tel que détecté par les sondes)

1. Veiller à ce que le panneau de contrôle n'est pas verrouillé et qu'aucune procédure n'est en cours.
2. Appuyer sur la flèche VERS LE BAS pendant 4 secondes : l'écran affiche la première sonde disponible
3. Sélectionner la bonne sonde en utilisant les flèches vers le HAUT et vers le BAS.
4. Appuyer sur la touche SET.

Ce tableau indique les codes de chacune des sondes.

Étiquette	Température affichée
<b>Pb1</b>	Température du réfrigérateur
<b>Pb2</b>	Température de l'évaporateur

Pour quitter la procédure – Appuyez sur la touche SET pendant 60 secondes ou ne pas faire fonctionner pendant 60 secondes. Ensuite, appuyer sur la touche ON/OFF.

Remarque : si la sonde de l'évaporateur n'est pas présente, le code Pb2 ne sera pas affiché

### ALARMES DE TEMPÉRATURE

Voici une liste des alarmes présentes dans ce réfrigérateur.

CODE	TYPE D'ALARME	VALEUR CRITIQUE
AL	Alarme basse température	Faible température du réfrigérateur pendant cette alarme
AH	Alarme haute température	Haute température du réfrigérateur pendant cette alarme
Id	Alarme porte ouverte	Température maximale du réfrigérateur au cours de cette alarme

L'enregistrement d'alarme ne peut être effectif que lorsque le réfrigérateur est allumé.

Lorsque la cause de l'alarme n'est plus présente, le réfrigérateur va revenir à un fonctionnement normal.

### ACCÈS A L'HISTORIQUE D'ALARME

1. Appuyer sur la touche BAS pendant 2 secondes pour afficher le premier code
2. Appuyer et relâcher la touche HAUT ou sélectionner LS en appuyant sur la touche BAS
3. Appuyer et relâcher la touche SET, l'un des codes ci-dessus sera affiché

Pour sélectionner une alarme, appuyer sur la touche UP jusqu'à ce qu'AH soit représenté.



# HOSHIZAKI

## Snowflake GII

Pour afficher les informations d'alarme, appuyer et relâcher la touche SET (le clignotement LED HCCP cessera)

### AFFICHAGE DES TEXTES ET LEUR SIGNIFICATION

8.0	Valeur critique 8.0 °C/°F
Dur	L'écran affiche l'heure de l'alarme
h01	Alarme d'1 heure (cont.)
n15	Alarme d'1 heure et 15 minutes
AH	Alarme sélectionnée

Pour quitter l'affichage de l'historique, appuyer et relâcher la touche ON / STANDBY à plusieurs reprises.

Pour sortir du processus, appuyer plusieurs fois sur les touches HAUT ou BAS jusqu'à ce que l'écran affiche la température du réfrigérateur ou attendre 60 secondes sans appuyer sur les touches.

Méthode de sortie alternative : presser et relâcher la touche ON/STANDBY. Si aucune alarme n'est enregistrée, le code LS ne sera pas affiché.

### CODES D'ERREUR

Code	Description
Pr1	Erreur de la sonde du réfrigérateur
Pr2	Erreur de la sonde de l'évaporateur

La correction de ces erreurs ne peut être effectuée que par un personnel technique qualifié.

### FONCTIONNEMENT

Les fonctionnements disponibles sont listés ci-dessous :

État	Description
ON	Le réfrigérateur est sous tension et en fonctionnement
STANDBY	Le réfrigérateur est sous tension, mais éteint
OFF	Le réfrigérateur n'a pas de courant, la fiche n'est pas dans la prise, ou l'interrupteur principal est éteint

### IMPORTANT

Ne pas effectuer un quelconque entretien ou réparation lorsque le réfrigérateur est allumé ou en mode standby. Ce n'est que lorsque l'alimentation électrique est complètement isolée du réfrigérateur qu'une intervention peut être effectuée.

### III. INSTRUCTIONS D'ENTRETIEN

Cette section est particulièrement conçue pour les propriétaires / utilisateurs du réfrigérateur. Elle fournit des informations importantes concernant l'utilisation correcte et la maximisation de la longévité du produit.

Quelques étapes simples lors de l'utilisation et du réglage peuvent réduire le besoin de réparations coûteuses par des techniciens de maintenance. Ces étapes ne nécessitent pas de connaissances techniques particulières.



### IMPORTANT

Avant de commencer le nettoyage et l'entretien sur le réfrigérateur, vérifier impérativement que l'alimentation a été coupée et ne peut pas être rebranchée accidentellement par une autre personne.

### ATTENTION

Ne pas laver le produit avec de l'eau sous haute pression. Éviter toute possibilité de projection d'eau dans les composants et commandes électriques

### NETTOYAGE

- Il est recommandé de nettoyer périodiquement l'intérieur du réfrigérateur avec un détergent désinfectant. Le nettoyage intérieur du réfrigérateur doit être effectué en utilisant de l'eau chaude et légèrement savonneuse.
- Seuls des détergents au pH neutres ou légèrement alcalins peuvent être utilisés pour nettoyer l'intérieur et l'extérieur du réfrigérateur.
- Les dommages causés par des produits de nettoyage contenant des produits chimiques qui peuvent endommager l'acier inoxydable ne sont pas couverts par la garantie.
- Ne jamais utiliser d'outils métalliques, tampons à récurer métalliques ni crèmes ou poudres à récurer.
- La saleté peut être nettoyée avec un chiffon humide.
- Garder les grilles d'aération propres et dégagées en tout temps.
- Les étagères sont amovibles pour un nettoyage facile d'accès.
- Assurez-vous que les glissières et les étagères elles-mêmes soient nettoyées à fond.

### IMPORTANT

Le produit est fabriqué en acier inoxydable. Quand il est utilisé dans des conditions normales, l'acier inoxydable ne corrode pas, cependant une corrosion de l'acier inoxydable se produira si des détergents corrosifs sont utilisés.

### ENTRETIEN COURANT

#### CONDENSEUR

Il est très important que le condenseur soit apte à un transfert de chaleur maximum. Par conséquent, la surface du condenseur doit toujours être propre et claire. En raison de l'effet du ventilateur, la poussière va s'accumuler sur et à l'intérieur des ailettes du condenseur. Un aspirateur muni d'un embout à brosse peut être utilisé pour nettoyer le condenseur.

Portez une attention particulière afin d'éviter de causer des dommages aux ailettes du condenseur ou aux pales du ventilateur.

S'il y a un filtre, le retirer pour le nettoyer puis le replacer. Remplacez le filtre s'il est endommagé ou trop sale pour être nettoyé correctement.

### ATTENTION

Lorsque vous reculez l'unité de condensation après l'avoir lavé, assurez-vous que le tuyau d'égouttage pointe vers le plateau d'égouttage.

# HOSHIZAKI

## Snowflake GII



JOINTS PORTE/TIROIR

---

Un joint en bon état permettra d'éviter à l'humidité et à la chaleur de pénétrer dans le réfrigérateur, il est donc vital pour le bon fonctionnement économique du réfrigérateur.

### CÂBLE D'ALIMENTATION

Si le cordon d'alimentation est endommagé, il doit être remplacé par le fabricant, son prestataire de service ou des personnes de qualification similaire afin d'éviter tout danger.

### PRÉPARATION POUR DES LONGUES PÉRIODES SANS UTILISATION

- Couper l'alimentation de l'interrupteur principal ou retirer la fiche du réfrigérateur de la prise.
- Retirer tous les produits alimentaires du réfrigérateur.
- Nettoyer le réfrigérateur (voir la section nettoyage)
- Enlever la poussière et la saleté accumulées sur le compresseur.
- Pour éviter toute odeur désagréable, ne fermez pas complètement la porte.

### ATTENTION

Lorsque vous débranchez le produit, sachez que de l'eau de décongélation peut couler du réfrigérateur sur le sol. Cela peut endommager le sol et causer des conditions glissantes.

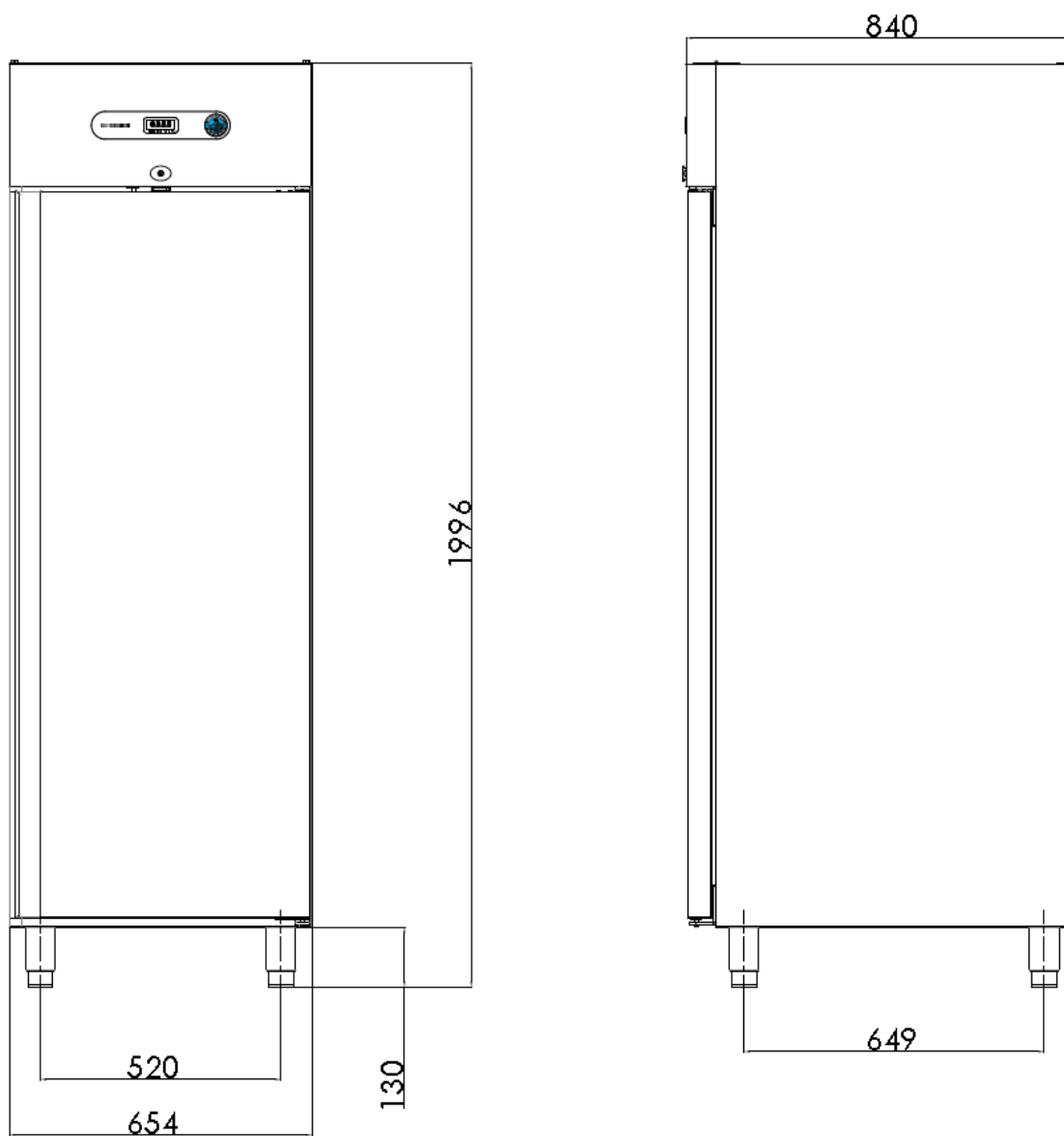
# HOSHIZAKI Snowflake GII



## IV. INFORMATIONS TECHNIQUES

### DIMENSIONS DES PRODUITS

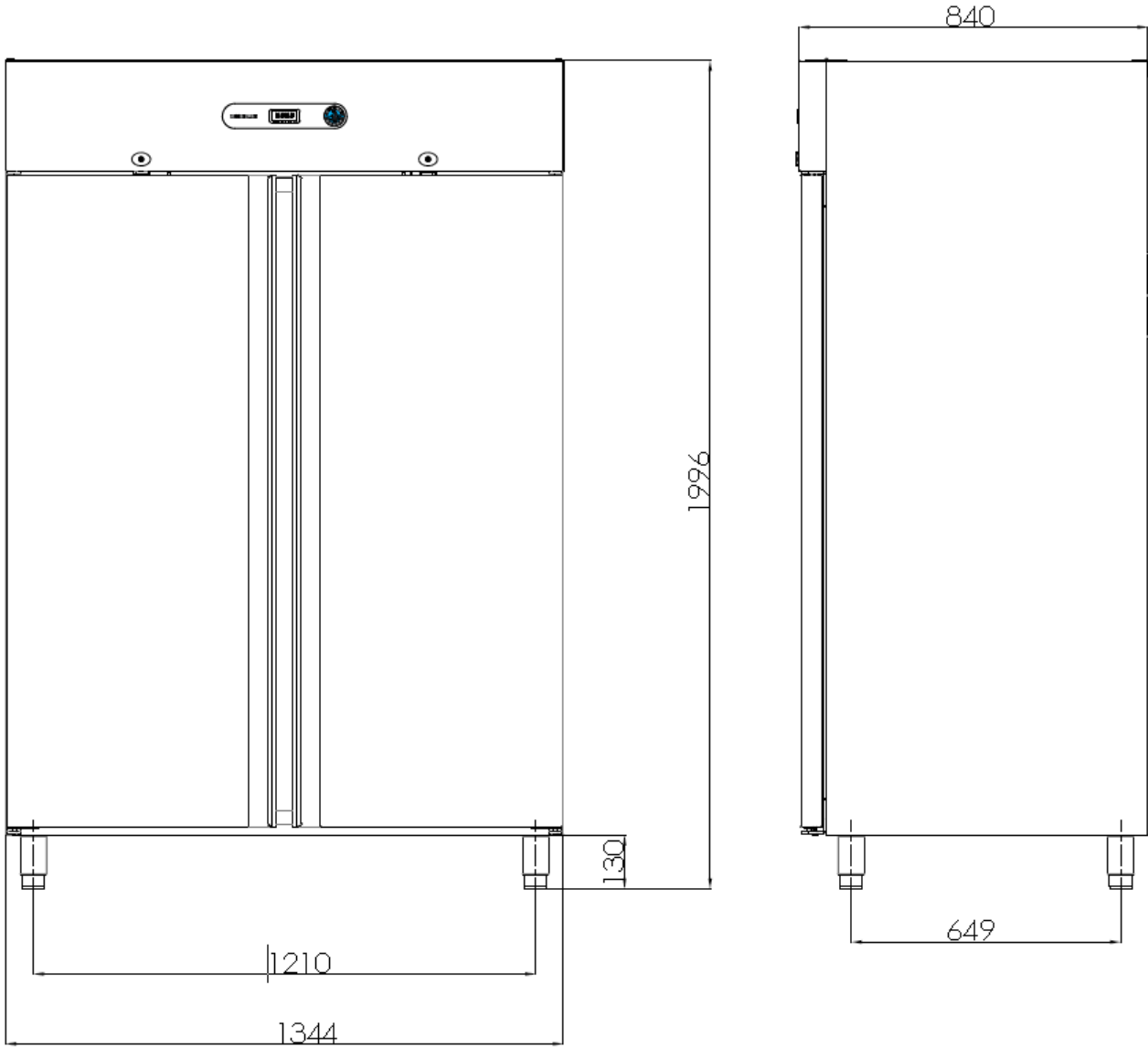
SUR-65DG & SUF-65DG



# HOSHIZAKI Snowflake GII



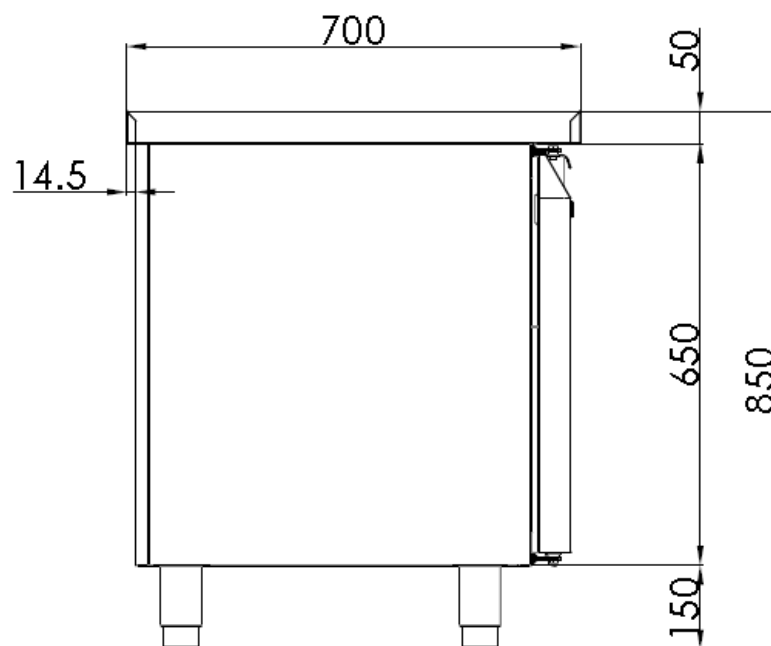
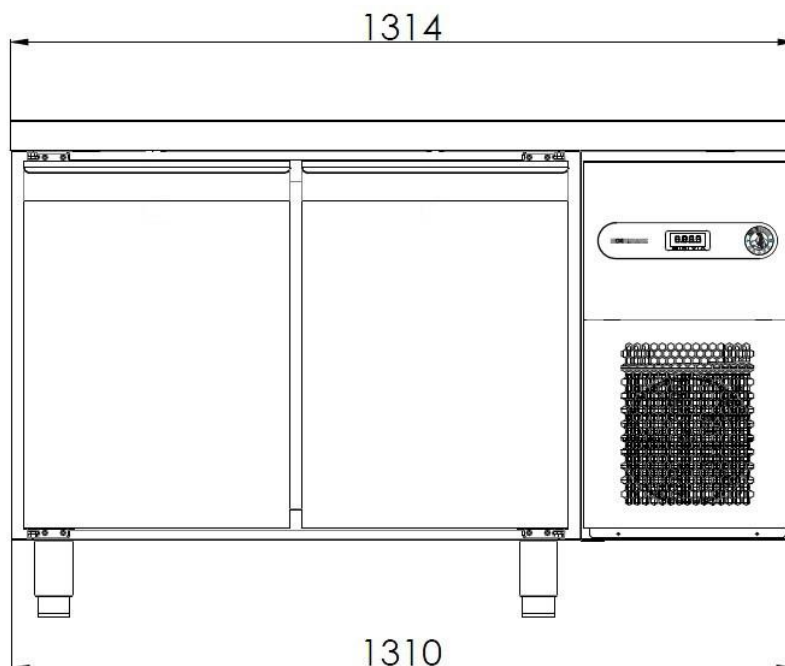
SUR-135DG & SUF-135DG & SUF-135DG



# HOSHIZAKI Snowflake GII



SCR-130DG

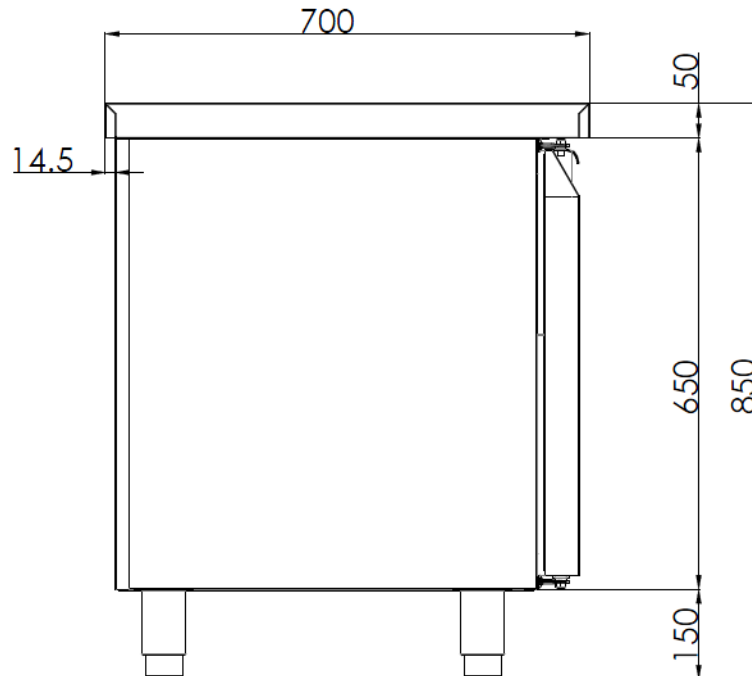
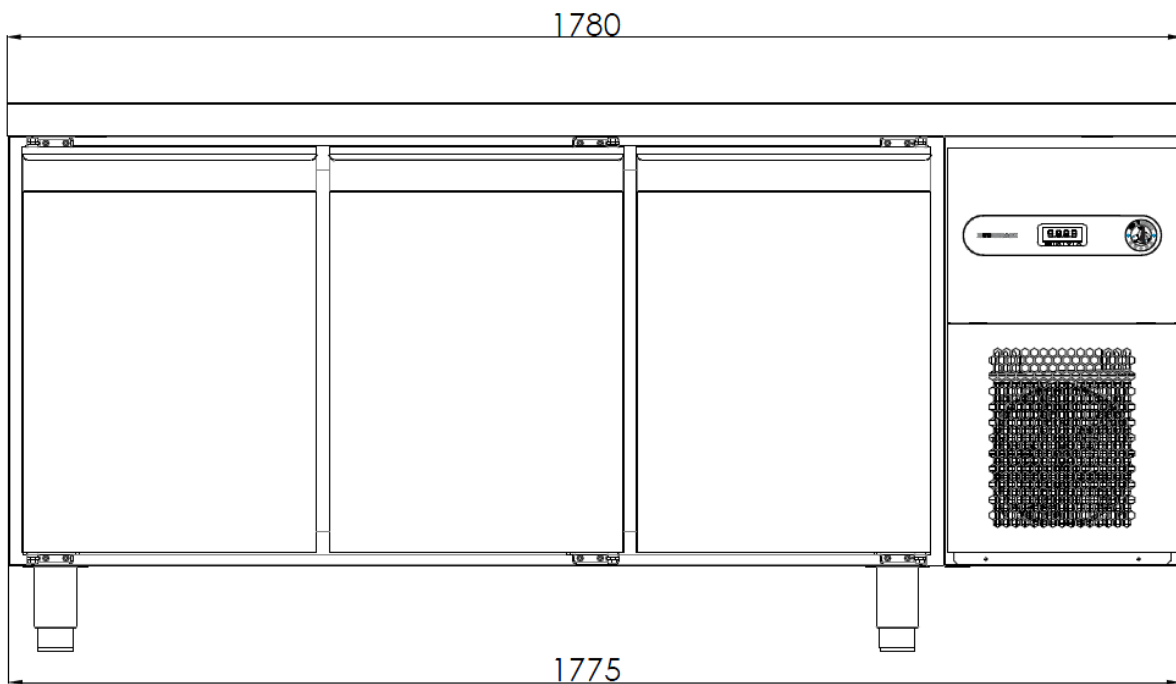




# HOSHIZAKI Snowflake GII



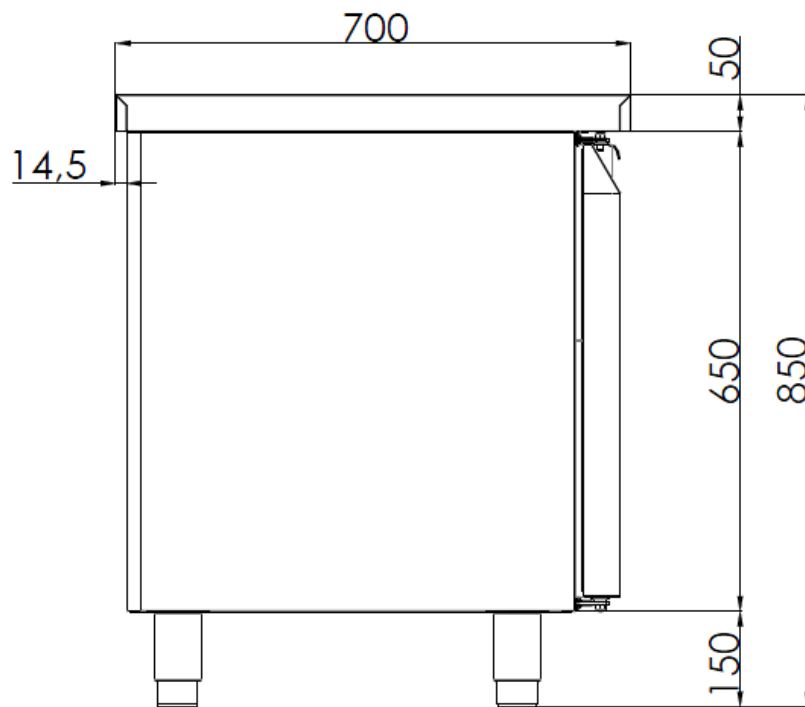
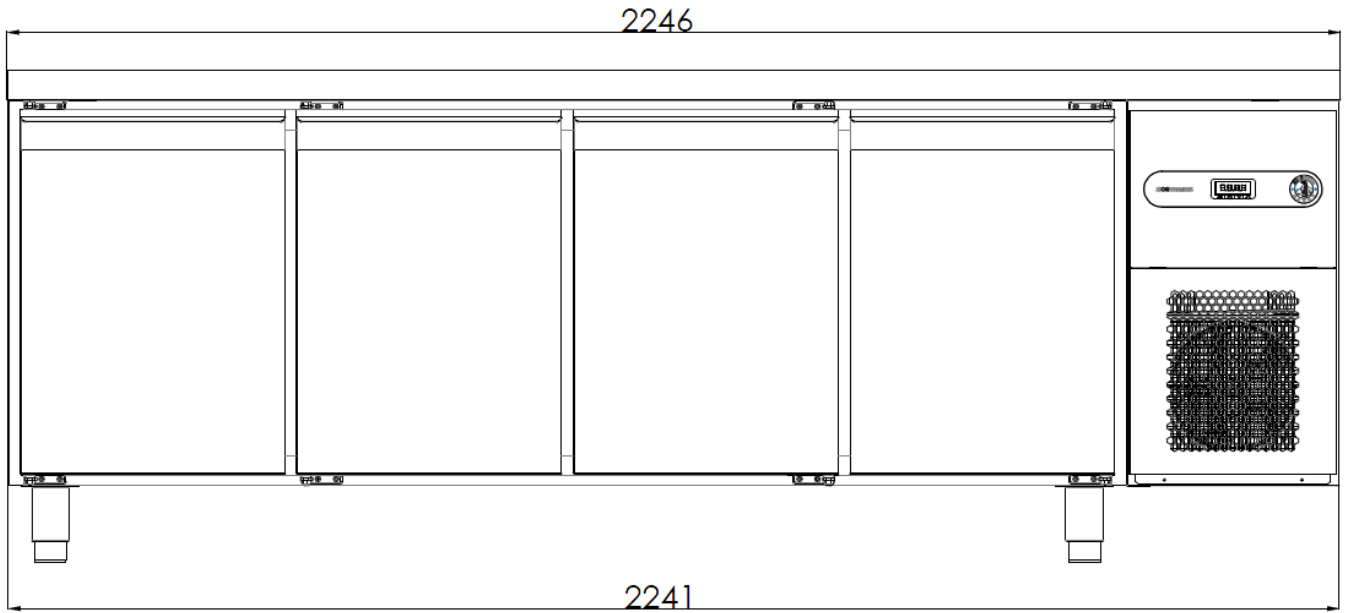
SCR-180DG



# HOSHIZAKI Snowflake GII



SCR-225DG

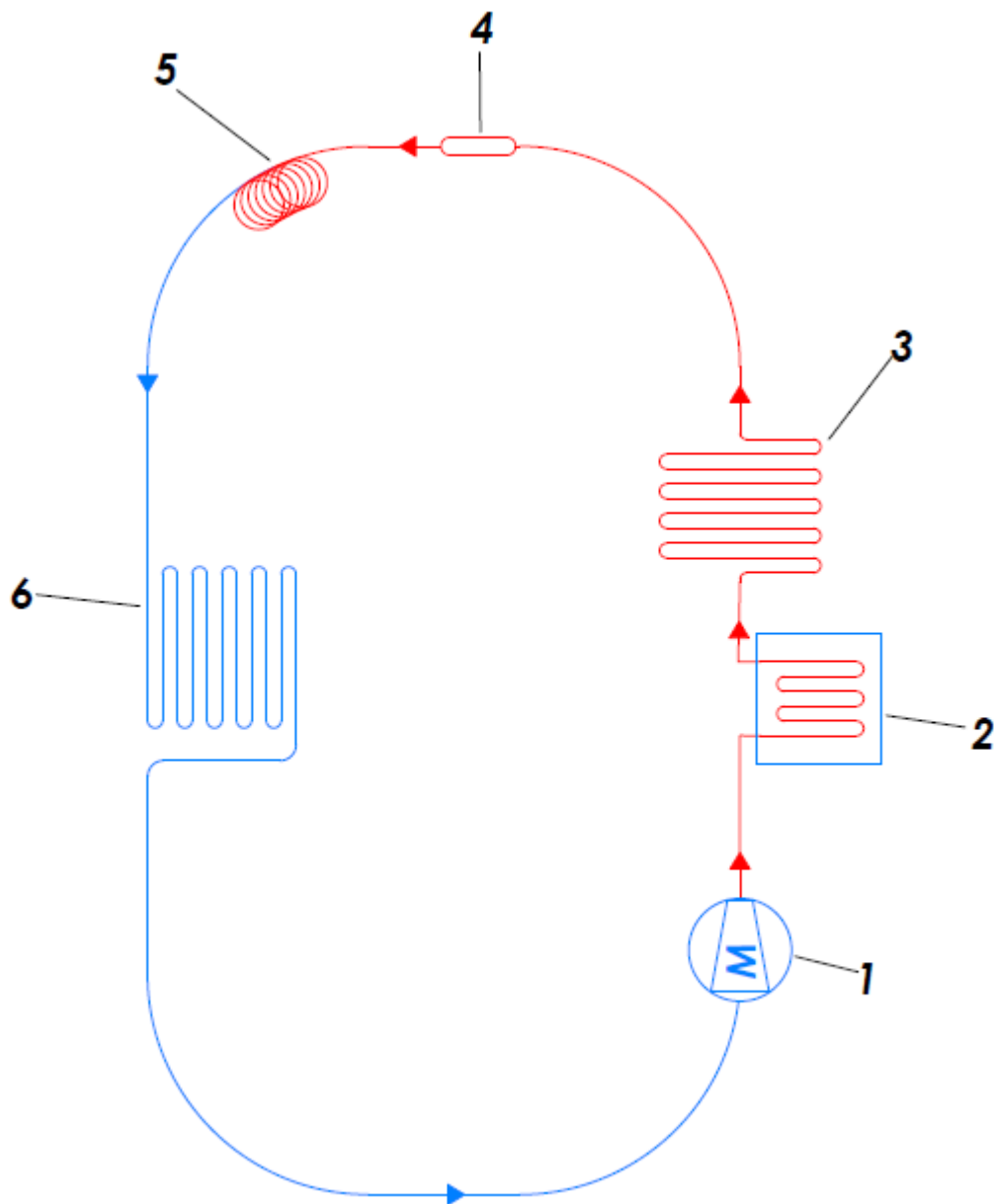


# HOSHIZAKI Snowflake GII



ÉLÉMENTS TECHNIQUES - REFROIDISSEMENT

Système de refroidissement standard



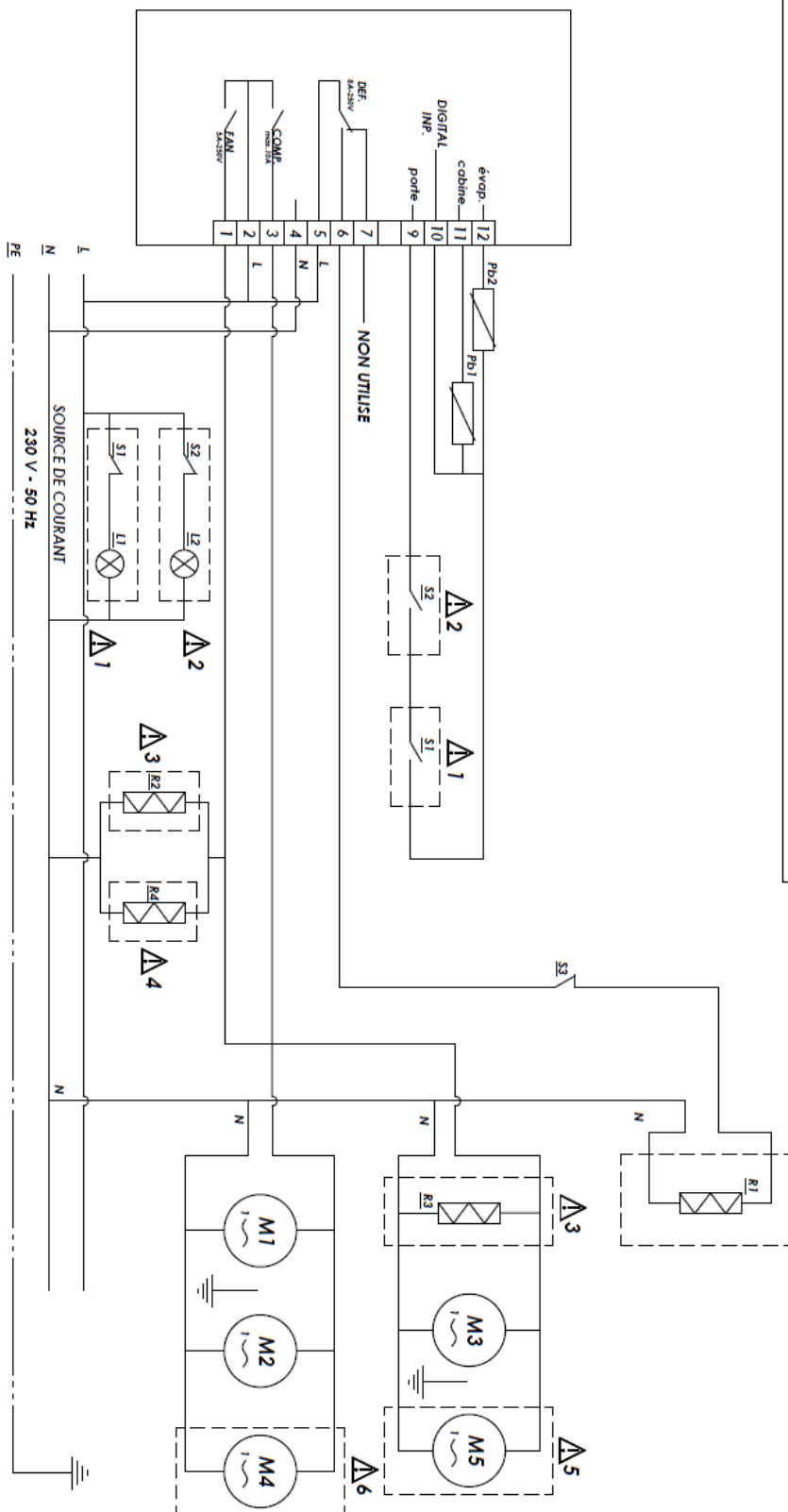
- 1 Compresseur
- 2 Bac de recuperation(2 pièces pour congélateurs à double porte)
- 3 Condenseur
- 4 Séchoir
- 5 Tube capillaire
- 6 Évaporateur



# HOSHIZAKI Snowflake GII

ÉLÉMENTS TECHNIQUES – ELECTRICITE

## EVCO EV3B23N7 Modèles Thermostat numérique



### DESCRIPTION

- △1 Disponible seulement avec les modèles SUH/SUF 135.
- △2 Non disponible sur modèles de type complet.
- △3 Disponible uniquement sur les SUF 65
- △4 △5 △6 Disponible uniquement sur congélateur double porte

- S1: Interrupteur de porte 1
- S2: Interrupteur de porte 2
- S3: Protecteur thermique
- M1: Compresseur
- M2, M4: Ventilateur de condenseur
- M3, M5: Ventilateur d'évaporateur
- Pb1: Sonde de cabine
- Pb2: Sonde d'évaporateur
- R1: Réchauffeur de dégivrage
- R2, R4: Égoutter Chauffe-ligne
- R3: Chauffe-câble pour cadre de porte
- L1/L2: Lumière LED

# HOSHIZAKI

## Snowflake GII



### V. SERVICE DE MAINTENANCE

Le tableau ci-dessous énumère plusieurs problèmes que vous pouvez rencontrer. Si un code d'alarme est affiché, un dysfonctionnement s'est produit. Veuillez corriger toutes les causes possibles avant de réinitialiser le réfrigérateur. Les causes et les dépannages possibles sont énumérés ci-dessous.

Si un code d'erreur persiste après avoir effectué les vérifications ci-dessous, veuillez contacter un technicien agréé. Les caractéristiques du message d'erreur doivent être déterminées. Les détails du produit, y compris le numéro de série, figurent sur la plaque signalétique du produit.

PROBLÈME	CAUSE POSSIBLE	SOLUTION	
Le réfrigérateur ne fonctionne pas	Aucune alimentation électrique n'est connectée au réfrigérateur	Vérifiez que la fiche d'alimentation et le câble sont sans défaut	
Le compresseur s'arrête rarement	La température ambiante est trop élevée	La ventilation doit être améliorée	
	Le condenser ou le filtre du condenseur sont bloqués	Vérifier et nettoyer régulièrement le filtre du condenseur	
	Faible charge du fluide frigorigène	Appelez un technicien agréé pour réparer une fuite	
	Les joints de portes ne sont pas correctement étanches	Appelez un technicien agréé pour remplacer les joints d'étanchéité	
	L'évaporateur est givré		Ne pas mettre d'aliments chauds dans le réfrigérateur
			Ne placez pas d'aliments à forte teneur en eau à l'intérieur du réfrigérateur à moins qu'ils soient conservés dans des conteneurs scellés Lancer un cycle de dégivrage manuel
	Le ventilateur de l'évaporateur / ventilateurs sont défectueux	Appelez un technicien autorisé pour remplacer le(s) ventilateur(s)	
Débordement d'eau du réservoir du condenseur	Placement fréquent d'aliments chauds dans le réfrigérateur	Ne pas mettre d'aliments chauds dans le réfrigérateur	
		Placez dans le réfrigérateur des aliments à forte teneur en eau uniquement dans des conteneurs scellés	
	Ouverture fréquente de la porte ou des tiroirs	Vérifiez si les spécifications du réfrigérateur confirment qu'il convient à l'utilisation actuelle	
La température du réfrigérateur est élevée	Le condenseur est bloqué avec de la saleté et de la poussière	Vérifier et nettoyer régulièrement le filtre du condenseur	
	Le débit d'air dans le réfrigérateur est bloqué	Enlever les aliments bloquant le flux d'air	
	L'air ambiant entre dans le réfrigérateur	Vérifier que la porte est fermée	
		Vérifier les dommages aux joints de porte et de tiroir	
	L'évaporateur est givré	Lancer un cycle de dégivrage manuel	



## VI. ENLÈVEMENT ET REMPLACEMENT

---

### REEMPLACEMENT DE L'AMPOULE INTÉRIEURE

- Couper l'alimentation de l'interrupteur principal ou retirer la fiche du réfrigérateur de la prise.
- Ouvrez la porte.
- Enlever la vis de fixation du diffuseur et ensuite soulevez le diffuseur.
- Assurez-vous que la nouvelle ampoule a la même classification que l'ancienne. La tension et la puissance sont imprimées sur l'ampoule.
- Retirer et remplacer l'ampoule.

### ÉLIMINATION DU REFRIGERATEUR

- Le gaz de refroidissement présent dans le réfrigérateur peut être identifié à partir de la plaque signalétique.
- Ce réfrigérateur est fabriqué à partir de matériaux recyclables conformément aux réglementations de l'UE. Par conséquent, à la fin de sa vie économique, le réfrigérateur doit être confié au centre de recyclage approprié pour l'élimination.
- Ne pas recycler le réfrigérateur en tant que métal ou déchet ménager
- Ne pas compacter le circuit frigorifique de l'installation de refroidissement.

### IMPORTANT

Respectez les lois locales et les règlements lors de l'élimination du réfrigérateur.



# HOSHIZAKI

## Snowflake GII

Tous droits réservés

---

Hoshizaki se réserve le droit de modifier les caractéristiques et les informations de ce manuel.

**Coordonnées :**

### **Le siège**

**Hoshizaki Europe B.V.**

TEL: +31 20 691 8499

Sales@hoshizaki.nl

<http://hoshizaki-europe.com/>

### **Nos Filiales**

**Hoshizaki UK - RU, Irlande**

TEL: +44 845 456 0585

uksales@hoshizaki.co.uk

**Hoshizaki Middle East - Moyen-Orient**

TEL: +971 48 876 612

sales@hoshizaki.ae

**Hoshizaki Deutschland - Allemagne, Suisse, Autriche**

TEL: +49 2154 92810, +49 5066 604612

info@hoshizaki.de

**Hoshizaki BENELUX - Pays-Bas, Belgique, Luxembourg**

TEL: +31 20 565 0420, +31 54 6454252

sales@hoshizaki.nl

**Hoshizaki France - France**

TEL: +33 1 48 63 93 80

info@hoshizaki.fr

**Hoshizaki Iberia- Espagne, Portugal**

TEL: +34 93 478 09 52

info@hoshizaki.es

**Hoshizaki Danmark – Denmark, Norway, Sweden**

TEL: +45 8988 5350

salg@hoshizaki.dk

**Hoshizaki Europe B.V – Tous les autres pays d'Europe et d'Afrique**

TEL: +31 20 565 0420

sales@hoshizaki.nl

# HOSHIZAKI Snowflake GII

---





# HOSHIZAKI Snowflake GII



## KÜHL- UND TIEFKÜHLGERÄTE

### BEDIENUNG-, WARTUNGS- UND MONTAGEANLEITUNG



<b>I. ALLGEMEINE INFORMATIONEN</b>	<b>50</b>
<b>II. BEDIENUNGSANLEITUNG</b>	<b>54</b>
<b>III. INSTANDHALTUNG</b>	<b>60</b>
<b>IV. TECHNISCHE INFORMATIONEN</b>	<b>62</b>
<b>V. SERVICEBEFUNDUNG</b>	<b>69</b>
<b>VI. ENTSORGUNG UND ERSATZ</b>	<b>70</b>

**Kontaktdaten:**

**HOSHIZAKI EUROPE B.V.**

**Adresse: Burgemeester Stramanweg 101 1101 AA Amsterdam, The Netherlands**

**Tel: +31 (0)20 691 8499**

**<http://hoshizaki-europe.com/>**


# HOSHIZAKI Snowflake GII



## I. ALLGEMEINE INFORMATIONEN

### PRODUKTBESCHREIBUNG KENNZEICHNUNG

1	Produktnummer
2	Produktbeschreibung
3	Modell
4	Kältemittel (GWP)
5	CO2 Äquivalent
6	IP Schutz
7	Klimaklasse
8	Herstellungsdatum
9	Leistung - aktuell
10	Spannung - Frequenz
11	Heizelemente
12	Systemdruck
13	Blähmittel
14	Seriennummer

PRODUCT NUMBER	1
	
PRODUCT DESCRIPTION	2
MODEL	3
REFRIGERANT	4
CO2 EQUIVALENT	5
IP PROTECTION	6
CLIMATE CLASS	7
PRODUCTION DATE	8
POWER-CURRENT	9
VOLTAGE - FREQUENCY	10
HEATING ELEMENT	11
SYSTEM PRESSURE	12
BLOWING AGENT	13

S/N: 14



HOSHIZAKI EUROPE B.V. Burgemeester Stramanweg 101 1101 AA  
Amsterdam, The Netherlands



### VERWENDUNGSZWECK

- Dieses Produkt ist nur für den Einsatz in Innenräumen und ausschließlich zum Aufbewahren von Speisen und Getränken geeignet.
- Der Hersteller haftet nicht für Schäden, die sich aus widersprüchlichem Nutzen zu den in diesem Buch angegebenen Richtlinien ergeben.
- Lebensmittel, die in diesem Schrank aufbewahrt werden, dürfen nicht mit dem Rumpf des Schrankes in Berührung kommen.
- Alle Lebensmittel müssen vollständig abgedeckt sein.
- Lagern Sie keine heißen Gerichte oder Flüssigkeiten in diesem Schrank.
- Getränke in Schachteln und Glasflaschen, dürfen nicht unter 0 ° C (Gefrierpunkt) gelagert werden. Dosen und Glasflaschen können aufgrund Expansion platzen. Behälter mit Deckel sollten nicht vollständig angefüllt werden, sondern es sollte etwas Platz für die Expansion übrigbleiben.
- Dieser Schrank ist mit einer automatischen Abtaufunktion ausgestattet. Es kann aber auch ein manuelles Abtauen durchgeführt werden. Für ein manuelles Abtauen braucht man den Schrank nicht für längere Zeit abzuschalten, sondern sie kann auch über den Regler durchgeführt werden. Wenden Sie unter keinen Umständen Gewalt oder Handwerkzeuge für das Enteisen des Schrankes an, denn Schäden, die sich aus solchen Maßnahmen ergeben, sind sehr schwer zu reparieren.
- Führen Sie keine mechanischen oder andere Abtauvorgänge durch.
- Sämtliche elektrische oder mechanische Änderungen, die an diesem Schrank durchgeführt werden, führen dazu, daß die Garantie erlischt. Auch Änderungen, die durch nicht autorisiertes Servicepersonal durchgeführt werden, oder Änderungen, die anders durchgeführt werden, als in diesem Handbuch beschrieben, führen ebenfalls dazu, daß die Garantie erlischt. Der Hersteller übernimmt keine Haftung für Schäden, die sich aus solchen Änderungen ergeben.

# HOSHIZAKI Snowflake GII



## KLIMAKLASSE

Der Schrank ist so konstruiert, daß er innerhalb bestimmter Umgebungstemperatur und Feuchtigkeitsniveau funktioniert. Diese sind im Klimaklassensystem aufgeführt. Diese dürfen nicht überschritten werden. Die Klimaklasse für dieses Produkt finden Sie auf dem Produktbeschreibungsetikett.

Klimaklasse	Umgebungstemperaturen und Feuchtigkeit
4	+30°C mit % 55 RH
5	+40°C mit % 40 RH

## ERSTER EMPFANG UND KONTROLLEN

Dieser Schrank wurde für den Transport mit Schutzverpackung verpackt. Prüfen Sie bei der Auslieferung den Schrank auf eventuelle Transportschäden und ob das richtige Modell geliefert wurde.

### WICHTIG

Alle nachfolgend aufgeführten Vorgänge müssen mit den örtlichen Vorschriften und Sicherheitsbestimmungen vollständig übereinstimmen. Beachten Sie bei der Handhabung dieses Produktes alle aktuellen Sicherheitsregeln.

### TRANSPORT

Bevor das Produkt mit Hilfe einer Maschine gehoben wird, muß die Tragfähigkeit der Maschine überprüft werden.

### WICHTIG

Wenn für das Transportieren des Produktes ein Gabelstapler benutzt wird, stellen Sie bitte sicher, daß die Gabeln in die entsprechenden Öffnungen der Palette eingesetzt werden.

Vor dem Bewegen muß auf die Stabilität des Produktes geachtet werden. Wenn der Mittelpunkt der Schwerkraft nicht zentral zum Produkt liegt, wird sich das Produkt neigen und umkippen. Beim Abladen des Produktes mit einem Gabelstapler sollte man äußerst langsam und vorsichtig vorgehen.

Wenn es nötig war, Geräte, die normalerweise senkrecht aufgestellt werden, waagrecht zu transportieren, sollte das Gerät, mindestens zwei Stunden vor Inbetriebnahme senkrecht aufgestellt sein. Es wird nicht empfohlen, senkrecht stehende Schränke in waagrechter Position zu transportieren, denn sämtliche Schäden, die sich aus so einem Vorgang ergeben, sind nicht von der Garantie abgedeckt.

### ACHTUNG

Empfehlungen, die an der Außenseite der Transportverpackung aufgeschrieben sind, sind für den Vorteil der Benutzer. Daher sind folgende Empfehlungen zu beachten:

- Transportieren Sie das Produkt vorsichtig.
- Halten Sie das Produkt trocken.
- Nutzen Sie die Oberseite des Schrankes nicht als Lagerraum.
- **ÖFFNEN DER VERPACKUNG**
  - Entsorgen Sie Kartons und sonstiges Verpackungsmaterial.
  - Heben Sie den Schrank an, um ihn von der Palette zu trennen.
  - Stellen Sie den Schrank an einen beliebigen Platz, auf seine eigene Unterlage.
  - Prüfen Sie den Schrank auf eventuelle sichtbare Schäden
  - Verpackungsmaterialien sollten nach den örtlichen Recyclingvorschriften wiederverwertet werden.
  - Gehen Sie sicher, daß der Produktcode und die Seriennummer auf dem Produkt mit den auf den Versandpapieren übereinstimmen.

# HOSHIZAKI Snowflake GII

Senkrecht aufgestellte Schränke



Marke			HOSHIZAKI			
Modellbeschreibung			SUR-65DG	SUR-135DG	SUF-65DG	SUF-135DG
Verwendungszweck			Lagerung	Lagerung	Lagerung	Lagerung
Kühl-Betriebstemperatur			X	X		
Frost-Betriebstemperatur					X	X
Mehrzweckschrank						
Vertikal-Schrank			X	X	X	X
Tischschrank						
<u>Parameter</u>	<u>Symbol</u>	<u>Einheit</u>				
Energieeffizienzklasse	EEC	-	D	D	D	E
Energieeffizienzindex	EEl	-	74.96	74.69	74.57	77.54
Energieverbrauch in 24 Stunden	E24h	kWh	2.61	3.97	7.01	11.50
Jährlicher Energieverbrauch	AEC	kWh	952.65	1449.05	2558.65	4198.00
Nettovolumen für Fach 1	Vn or Vn1	litre	402.8	405.2	397.6	400.0
Nettovolumen für Fach 2	Vn2	litre	-	405.2	-	400.0
Nettovolumen für Fach 3	Vn3	litre	-	-	-	
Nettovolumen für Fach 4	Vn4	litre	-	-	-	
Gesamtnettovolumen	VnT	litre	402.8	810.3	397.6	800.0
Klimaklasse	CC		5	5	5	4
Kältemittel			R290	R290	R290	R290
Beladung		kg	0.068	0.104	0.106	0.142
GWP			3	3	3	3
CO2 Äquivalent		t. CO2	0.204	0.312	0.318	0.426
Leistungsfähigkeit; Dieses Gerät ist für den Einsatz bei Raumtemperaturen bis zu 40 ° C vorgesehen.			X	X	X	
Kontaktinformationen	HOSHIZAKI EUROPE B.V.					
	Address: Burgemeester Stramanweg 101 1101 AA Amsterdam, The Netherlands Tel.: +31 (0)20 691 8499 <a href="http://hoshizaki.europe.com/">http://hoshizaki.europe.com/</a>					

# HOSHIZAKI Snowflake GII



## Kühlteschränke

Marke			Hoshizaki								
Modellbezeichnung			SCR-130DG			SCR-180DG			SCR-225DG		
			LR	22	32	LRR	222	332	LLRR	2222	3332
Verwendungszweck			Lagerung			Lagerung			Lagerung		
Kühl-Betriebstemperatur			X	X	X	X	X	X	X	X	X
Frost-Betriebstemperatur											
Mehrzweckschrank											
Vertikal-Schrank											
Tischschrank			X	X	X	X	X	X	X	X	X
Parameter	Symbol	Einheit									
Energieeffizienzklasse	EEC		C	C	C	C	C	C	C	D	D
Energieeffizienzindex	EEl		40.63	36.21	36.93	37.89	43.39	45.00	43.54	60.06	63.23
Energieverbrauch in 24 Stunden	E24h	kWh	2.48	2.10	2.10	2.54	2.71	2.71	3.18	4.02	4.02
Jährlicher Energieverbrauch	AEC	kWh	905.20	766.5	766.5	927.10	989.15	989.15	1160.70	1467.30	1467.30
Netto Volumen für Fach 1	Vn1	litre	85.7	63.9	47.9	85.7	63.9	47.9	85.7	63.9	47.9
Netto Volumen für Fach 2	Vn2	litre	85.7	63.9	63.9	85.7	63.9	47.9	85.7	63.9	47.9
Netto Volumen für Fach 3	Vn3	litre				85.7	63.9	63.9	85.7	63.9	47.9
Netto Volumen für Fach 4	Vn4	litre							85.7	63.9	63.9
Gesamtnettovolumen	VnT	litre	171.4	127.8	111.8	257.1	191.7	159.7	342.8	255.6	207.6
Klimaklasse	CC		5			5	4	4	5	4	4
Kältemittel			R290			R290			R290		
Beladung		kg	0.055			0.079			0.095		
GWP			3			3			3		
CO2 Äquivalent		t. CO2	0.165			0.237			0.285		
Leistungsfähigkeit; Dieses Gerät ist für den Einsatz bei Raumtemperaturen bis zu 40 ° C vorgesehen			X	X	X	X			X		
Kontaktinformationen			HOSHIZAKI EUROPE B.V.								
			Address: Burgemeester Stramanweg 101 1101 AA Amsterdam, The Netherlands Tel.: +31 (0)20 691 8499 <a href="http://hoshizaki.europe.com/">http://hoshizaki.europe.com/</a>								

# HOSHIZAKI

## Snowflake GI



### II. BEDIENUNGSANLEITUNG

---

#### ELEKTRIZITÄT

Bevor Sie das Produkt an die Stromversorgung anschließen, stellen Sie bitte sicher, daß die angegebene Stromversorgung auf dem Typenschild des Produkts mit der elektrischen Stromversorgung des lokalen Netzes übereinstimmt.

Das Etikett der Produktbeschreibung mit der angegebenen Stromversorgung befindet sich auf der Innenseite des Schrankes, links oben.

Die Installation des Produkts darf nur von autorisiertem und geschultem Servicepersonal nach den in diesem Handbuch aufgeführten Spezifikationen durchgeführt werden.

Die elektrische Sicherheit dieses Schrankes kann nur gültig sein, wenn es gemäß den geltenden örtlichen Gesetzen und Vorschriften geerdet ist.

Die Erdung des Produktes ist unentbehrlich.

Der Hersteller übernimmt keine Haftung für Schäden, die wegen unsachgemäß durchgeführter Erdung entstehen.

Halten Sie alle, durch die örtlichen elektrischen Vorschriften vorgeschriebenen Anforderungen bezüglich der Elektrizität ein.

Der Netzstecker des Produktes und die Steckdose an der Wand müssen über richtige Erd-Konnektivität verfügen. Beauftragen Sie bei Bedarf einen autorisierten Elektriker.

#### ALLGEMEINE VORPRÜFUNGEN

Stellen Sie sicher, daß der Schrank auf ebenem Boden und aufrecht steht. Bei Bedarf können die verstellbaren Füße des Schrankes dazu verwendet werden. Alle Füße des Schrankes sollten mit dem Boden in Berührung kommen. Dies ist für die ordnungsgemäße Funktionstüchtigkeit der Schranktür notwendig.

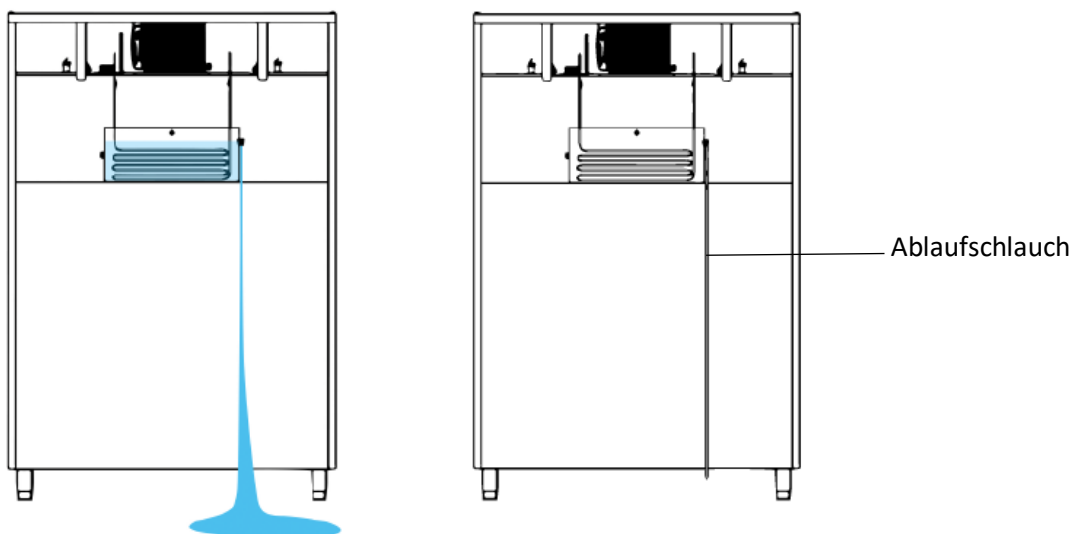
Stellen Sie den Schrank nicht in die Nähe von wärmeerzeugenden Geräten wie Ofen, Grills und Friteusen. Nicht direktem Sonnenlicht aussetzen. Wärme, die von der Wand oder vom Boden abgestrahlt wird, sollte durch geeignetes Isoliermaterial isoliert werden. Der Schrank sollte möglichst weit entfernt von jeglicher Wärmequelle platziert werden.

Wenn das Gehäuse neu aufgestellt wird, warten Sie drei Stunden, bevor Sie es erneut starten. Plastikschutz oder Klebeband sollte von den äußeren Oberflächen entfernt werden.

Vergewissern Sie sich, dass die Kabinette so positioniert ist, dass sie zu und von dem Kühlkreislauf fließen kann und einen genügenden Luftstrom um die Kabinettenoberflächen bieten wird. Lassen Sie auf dem Kabinett eine Freifläche von mindestens 500 mm.

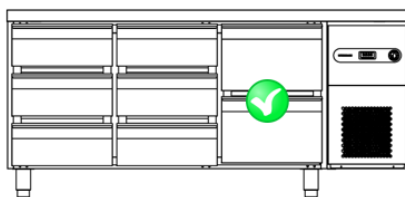
Blockieren Sie keine Lüftungsöffnungen.

# HOSHIZAKI Snowflake GII

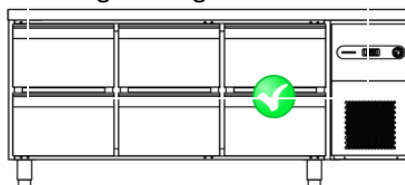


Im Falle eines Wasserüberlaufs von der Rückverdampfungsschale auf der Rückseite eines aufrechten Schrankes muss der Benutzer einen Abflussschlauch (6 mm Durchmesser) an die Wanne anschließen. Der Schlauch muss zum Boden im Boden führen. An der Ablaufwanne befindet sich ein Schnellanschluss, an dem der Nutzer den Ablaufschlauch verbinden kann.

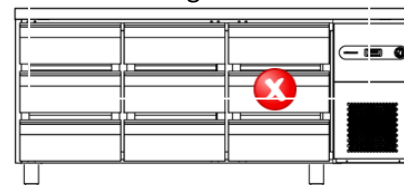
Richtige Konfiguration



Richtige Konfiguration



Falsche Konfiguration



Bestimmte SCR Modelle sind für den Wechsel der Tür- / Schubladenkonfiguration vorbereitet. Allerdings kann eine Schublade mit 3 Teilen und 1/3 Schubladen NIEMALS neben dem Kompressorfach platziert werden. Kontaktieren Sie Ihren Händler für weitere Informationen.

## VORL ÄUFIGE ABTAUWASSERKONTROLLE

Die senkrechten Kabinette sind so konstruiert, dass die Tür täglich im Schnitt 72 Türöffnungen pro Tag nach EN16825. Falls die Benutzung der Tür diese Ebene überschreitet, müssen die Abflussrohre an eine externe montiert werden.

## ELEKTRISCHE VORKONTROLLE

- Prüfen Sie, ob die Netzspannung und die Frequenz der Steckdose den Angaben auf dem Typenschild der Produktbeschreibung entsprechen.
- Der Schrank wird an das Netzwerk mit 13-16 Ampere in serieller Verbindung angeschlossen.
- Schalten Sie die Netzsicherung, die an die Netzkabel verbunden ist, aus.
- Vergewissern Sie sich, daß der Stecker des Schrankes für die Nutzung mit der vorhandenen Steckdose geeignet ist und daß sie auch zusammenpassen.



# HOSHIZAKI

## Snowflake GII

### ATEX 2014/34/EU Anforderungen:

- 1 - Im Falle von Beschädigungen oder Gefahren, die auf die Unzulänglichkeit der Unterstruktur des Nutzungsbereichs zurückgehen, treffen den Hersteller und den autorisierten technischen Dienst keine Haftung.
- 2-Die Lüftungsgeschwindigkeit der Umgebung, in der sich das Produkt befindet, muss mindestens 0,3 m / s betragen.
- 3 – Der Lüftungsventilator muss die notwendige Kapazität dazu haben, pro 1 Stunde die Umgebungsluft mindestens 5 Mal zirkulieren zu können. Das zu installierende Lüftungssystem muss den ATEX 2014/34 / EU-Normen entsprechen.
- 4 - Bei Gasaustritt im Medium muss das System vorhanden sein, durch welches bei höchstens 20% des UEG-Wertes (Untere Explosionsgrenze) Warnungen erfolgen und die Geräteenergie abgestellt werden.
- 5-Am Medium sind Gasdetektoren zu installieren. Die Gasdetektoren sind standpunktmäßig so anzubringen, dass LPG und Erdgas wahrgenommen werden.
- 6- Für gefährliche Situationen und Schäden, die durch Eingriffe und Änderungen zustande kommen, die nicht durch den im Rahmen der Vorschrift Atex 2014/34/EU autorisierten Dienst unternommen werden, übernehmen der Hersteller und der Verkäufer keinerlei Haftung. In diesem Fall gilt das Atex-Zertifikat als ungültig.
- 7 - Bei Gasaustritt im Medium oder Warnungen durch Gasdetektoren muss die Energie des Kühlers abgeschaltet werden. Daher muss das Elektrosystem mit einem System ausgestattet sein, das bei Gasaustritt den Strom des Kühlers unterbricht.

### ERSTBETRIEB UND KONTROLLEN

Nachdem die oben beschriebenen Prüfungen abgeschlossen sind, kann der Schrank betrieben werden.

Der Schrank wird durch den ON/OFF (EIN- und AUS) Schalter betätigt.

Nachdem Sie den Schalter eingeschaltet haben, wird der Kompressor beginnen zu laufen. Der Kompressor läuft solange, bis die Voreinstellung durch die Fabrik erreicht ist. Lebensmittel sollten nicht in den Schrank gestellt werden, bis die Temperatur des Schrankes die Temperatur der Lebensmittel, die gekühlt werden sollen, erreicht hat.

Die neue Temperatureinstellung erfolgt über die Steuerung, wie in diesem Handbuch beschrieben wird.

### WICHTIG

- Warten Sie, bis der Schrank die eingestellte Temperatur erreicht hat, bevor Sie die Lebensmittel einlegen.
- Überschreiten Sie niemals die maximale Tragfähigkeit der Regale. Die maximale Regalkapazität beträgt jeweils 40 kg in gleichmäßige Belastung für Regale in aufrecht gestellten Schränken und 20 kg für Regale und Schubladen in Tischschränken.
- Beachten Sie den Abschnitt "Allgemeine Vorprüfungen" in diesem Handbuch, wo Sie Informationen über die Platzierung von Lebensmitteln für eine gute Belüftung innerhalb des Produktes finden.
- Lagern Sie keine explosiven Stoffe wie Spraydosen mit einem brennbaren Treibmittel in diesem Schrank.



## WARNUNG:

- Blockieren Sie zu keinem Zeitpunkt Lüftungsöffnungen am Gerät.
- Verwenden Sie außer die vom Hersteller empfohlenen keine mechanischen Geräte oder andere Mittel zur Beschleunigung des Abtauvorgangs.
- Den Kältemittelkreislauf nicht beschädigen.

## LAGERBEDINGUNGEN UND LEISTUNG

Korrekte Lagerbedingungen sind nicht nur für die Lebensmittelhygiene und -sicherheit von größter Bedeutung, sondern verbessern auch die Servicequalität und reduzieren den Energieverbrauch. Die beste Leistung kann erreicht werden, wenn folgende Hinweise und Richtlinien beachtet werden: Alle Lebensmittel nur auf Regalen aufbewahren und niemals auf den Boden legen.

Lebensmittel müssen im Schrank oder Tischschrank so eingelegt werden, daß eine gute Luftströmung innerhalb des Schrankes möglich ist, und zwischen den Gegenständen und den Wandteilen des Produktes sollte immer Abstand bleiben. Bei Bedarf kann der Regalabstand entsprechend angepaßt werden.

## BEDIENFELD



Über das Bedienfeld können Steuerungen und Funktionen durchgeführt werden:

1. SET-Taste
  - Eingabe/Einstellung von Werten
2. EIN/AUS-TASTE
  - Drücken Sie auf die Taste 4 Sekunden lang um den Schrank ein- oder auszuschalten
3. DOWN-Taste
  - Durch diese Taste können das Menu hinuntergescrollt und die Werte umgeändert/reduziert werden.
4. UP Taste
  - Durch diese Taste können das Menu hinaufgescrollt und die Werte umgeändert/erhöht werden.

Drücken Sie 4 Sekunden lang, um das MANUELLE ABTAUEN zu starten

## FRONTPANEL-FUNKTIONEN

Das Bedienfeld kann verriegelt und entriegelt werden.

### Sperren der Bedienelemente:

- Sicherstellen, daß kein Vorgang in Betrieb ist
- 30 Sekunden lang außer Betrieb halten

# HOSHIZAKI

## Snowflake GII



- Am Display leuchtet die Anzeige „LOC“ für 1 Sekunde auf und die Tastatur wird automatisch gesperrt.

### Öffnen der Sperrung der Bedienelemente

- Drücken Sie eine Taste für eine Sekunde: Am Display erscheint die Meldung „ULN“ für eine Sekunde.

### TEMPERATUREINSTELLUNG

1. Vergewissern Sie sich, daß das Bedienfeld nicht gesperrt ist und daß kein Prozeß in Betrieb ist.
2. Drücken Sie die SET-Taste, die LED-Lampe wird aufleuchten.
3. Die Temperatureinstellungen können durch die Pfeiltasten UP und DOWN geändert werden.
4. Drücken Sie die SET-Taste oder führen Sie 15 Sekunden lang keinen Vorgang durch. Die LED\* Lampe wird erlöschen und der Controller beendet diesen Vorgang.
5. Um den Temperatureinstellungsvorgang abubrechen, bevor er beendet ist:

Drücken Sie die Taste ON / OFF (Änderungen werden nicht gespeichert). Der Arbeitssollwert kann auch über den SP-Parameter eingestellt werden.

### TEMPERATURANZEIGE (ermittelt durch Taster)

1. Vergewissern Sie sich, daß das Bedienfeld nicht gesperrt ist und kein Vorgang ausgeführt wird.
2. Drücken Sie die DOWN-Taste für 4 Sekunden: Auf dem Display erscheint der erste Taster. Wählen Sie den richtigen Taster mit Hilfe der UP und DOWN-Pfeile.
3. Drücken Sie die SE-Taste.

Auf dieser Tabelle werden die Codes der einzelnen Taster aufgeführt.

Etikette	Angezeigte Temperatur
Pb1	Schranktemperatur
Pb2	Verdampfertemperatur

Um den Vorgang zu beenden, drücken Sie die SET-Taste für 60 Sekunden oder stoppen Sie den Betrieb für 60 Sekunden. Drücken Sie dann die Taste ON / OFF.

Hinweis: Wenn kein Verdampfer-Taster vorhanden ist, wird der Pb2-Code nicht angezeigt.

### TEMPERATUR-ALARME

Das ist eine Liste der Alarme, die bei diesem Schrank angezeigt werden.

KODE	ALARM TYP	KRITISCHER WERT
AL	Niedrige Temperatur-Alarm	Niedrige Schranktemperatur während des Alarms
AH	Hohe Temperatur-Alarm	Hohe Schranktemperatur während des Alarms
Id	Offene Tür-Alarm	Maximale Schranktemperatur während dieses Alarms

Der Alarmerfassung kann nur betätigt werden, wenn der Schrank in Betrieb ist.

# HOSHIZAKI Snowflake GII



Status	Beschreibung
<b>ON</b>	Der Schrank ist eingeschaltet und in Betrieb
<b>STANDBY</b>	Der Schrank ist an das Netzwerk angeschlossen aber ausgeschaltet.
<b>OFF</b>	Der Schrank hat keinen Strom, der Stecker ist nicht an das Netzwerk angeschlossen oder der Hauptschalter ist ausgeschaltet.

Wenn die Ursache des Alarms behoben ist, kehrt der Schrank in den Normalbetrieb zurück.

## EINGRIFF ZUR ALARM-HISTORIE

1. Drücken Sie die DOWN-Taste für 2 Sekunden, so daß der erste Code angezeigt wird.
2. Drücken Sie die UP-Taste und lassen Sie LS los, während Sie die DOWN-Taste drücken.
3. Drücken Sie die SET-Taste und lassen Sie sie los: Einer der oben genannten Codes wird angezeigt.

Um einen Alarm auszuwählen, drücken Sie die UP-Taste, bis AH angezeigt wird.

Um Alarminformationen anzuzeigen, drücken Sie die SET-Taste und lassen Sie sie los (der blinkende HACCP-LED stoppt).

## TEXTE, DIE AM DISPLAY ERSCHEINEN UND IHRE BEDEUTUNG

8.0	Kritische Werte 8.0 °C/°F
Dur	Das Display zeigt die Alarmzeit an
h01	1 Stunde-Alarm (cont.)
n15	1 Stunde und 15 Minuten- Alarm
AH	Ausgewählter Alarm

Um die aufgezeichnete Anzeige zu verlassen, drücken Sie wiederholt die Taste ON / STANDBY

Um den Vorgang zu beenden, drücken Sie wiederholt die UP- oder DOWN-Tasten, bis das Display die Schranktemperatur anzeigt oder warten Sie 60 Sekunden, ohne irgendwelche Tasten zu drücken.

Alternative Austritt-Methode: Drücken Sie die ON / STANDBY-Taste und lassen Sie sie los. Wenn keine Alarme aufgezeichnet sind, wird der LS-Code nicht angezeigt.

## FEHLER CODES

Code	Beschreibung
<b>Pr1</b>	Schrank-Taster-Fehler
<b>Pr2</b>	Verdampfer-Taster-Fehler

Diese Fehler können nur von qualifiziertem Fachpersonal behoben werden.

## BETRIEBSSTATUS

Verfügbare Betriebsstatus sind folgend aufgelistet:

## WICHTIG

Führen Sie keine Wartungs- oder Reparaturarbeiten durch, während der Schrank sich im Standby-Modus befindet. Erst wenn der Schrank von der Stromversorgung getrennt ist, können sämtliche Vorgänge durchgeführt werden.

# HOSHIZAKI

## Snowflake GII



### III. INSTANDHALTUNG

---

Dieser Abschnitt ist für den Besitzer / Benutzer des Produkts bestimmt. Hier werden Informationen über die richtige Verwendung und für die Maximierung der Lebensdauer des Produkts übermittelt.

Einige wichtige Maßnahmen für die Nutzung und Neuausrichtung können Sie von teuren Reparaturen, die von Technikern durchgeführt werden müssen, befreien. Diese Maßnahmen erfordern keine besonderen technischen Kenntnisse.

#### WICHTIG

Bevor sie mit der Reinigung und Wartung des Produktes beginnen, achten Sie darauf, daß die Stromversorgung ausgeschaltet ist und nicht versehentlich von jemand Anderem angeschlossen wurde.

#### ACHTUNG

Waschen Sie das Produkt nicht mit Hochdruckwasser aus. Vermeiden sie, daß Wasser in die elektrischen Komponente gesprüht wird.

#### REINIGUNG

- Es wird empfohlen, daß Innere des Schrankes regelmäßig mit Desinfektionsmittel gereinigt wird. Das Innere des Schrankes sollte mit warmem Seifenwasser gereinigt werden.
- Beim Reinigen des Inneren und Äußeren des Schrankes dürfen nur pH-neutrale oder leicht alkalische Reinigungsmittel benutzt werden.
- Schäden, die durch Reinigungsmittel verursacht werden, die Chemikalien enthalten, sind nicht durch die Garantie abgedeckt.
- Keine Metallgeräte, Metallscheuerschwämme oder Scheuerpulver oder -cremes benutzen.
- Schmutz kann mit einem feuchten Lappen gereinigt werden.
- Halten Sie die Lüftungsgitter des Schrankes immer sauber und klar.
- Die Regale sind für einfachen Zugang beim Reinigen abnehmbar.
- Gehen Sie sicher, daß die Regale und Rinnen der Regale gründlich gereinigt wurden.

#### WICHTIG

Das Produkt wurde aus Edelstahl hergestellt. Edelstahl rostet unter normalen Nutzungsbedingungen nicht, jedoch durch Nutzung von ätzenden Reinigungsmitteln kann Verrostung vorkommen.

#### WARTUNG

##### KONDENSATOR

Es ist sehr wichtig, daß der Kondensator für eine maximale Wärmeübertragung geeignet ist. Daher muß die Oberfläche des Kondensators immer sauber und klar sein,. Aufgrund der Wirkung des Ventilators, sammelt sich Staub an den Kondensatorrippen an. Für das Reinigen des Kondensators kann ein Staubsager mit einem Bürstenaufsatz verwendet werden.

Achten Sie besonders darauf, daß bei der Reinigung die Kondensatorrippen und Lüftungsflügel nicht beschädigt werden.



# HOSHIZAKI

## Snowflake GII

Falls ein Filter vorhanden ist, nehmen Sie ihn für die Reinigung heraus und setzen Sie ihn nach dem Reinigungsvorgang erneut wieder ein. Ersetzen Sie den Filter, wenn er beschädigt oder zu stark verschmutzt ist.

### **ACHTUNG**

Wenn Sie die Kondensationseinheit nach dem Reinigungsvorgang wieder zurückschieben ist darauf zu achten, daß der Tropfwasserschlauch zur Tropfschale gerichtet ist.

### TÜR/SCHUBFACHDICHTUNG

Eine Dichtung in gutem Zustand wird verhindern, daß feuchte und warme Luft in den Schrank dringt, denn das ist für einen effizienten Betrieb des Schrankens lebenswichtig.

### STROMKABEL

Um eine Gefährdung zu vermeiden, muss das Netzkabel bei Beschädigung durch den Hersteller, einem Kundendienst oder ähnlich qualifizierten Personen ersetzt werden.

### **VORBEREITUNGEN FÜR LANGFRISTIGE ZEITEN OHNE NUTZUNG**

- Schalten Sie die Hauptstromschaltung ab oder ziehen Sie die Stromkabel aus den Netzstecker.
- Entfernen Sie sämtliche Lebensmittel im Schrank.
- Reinigen Sie den Schrank (siehe Reinigungsabschnitt).
- Entfernen Sie Staub und Schmutz vom Kompressor.
- Schließen Sie die Tür nicht vollständig, um unangenehme Gerüche zu vermeiden.

### **ACHTUNG**

Sobald Sie das Produkt vom Netzstecker trennen, beachten Sie daß Tauwasser vom Schrank auf den Boden tropfen kann. Dies kann Bodenschäden und einen rutschigem Boden verursachen.

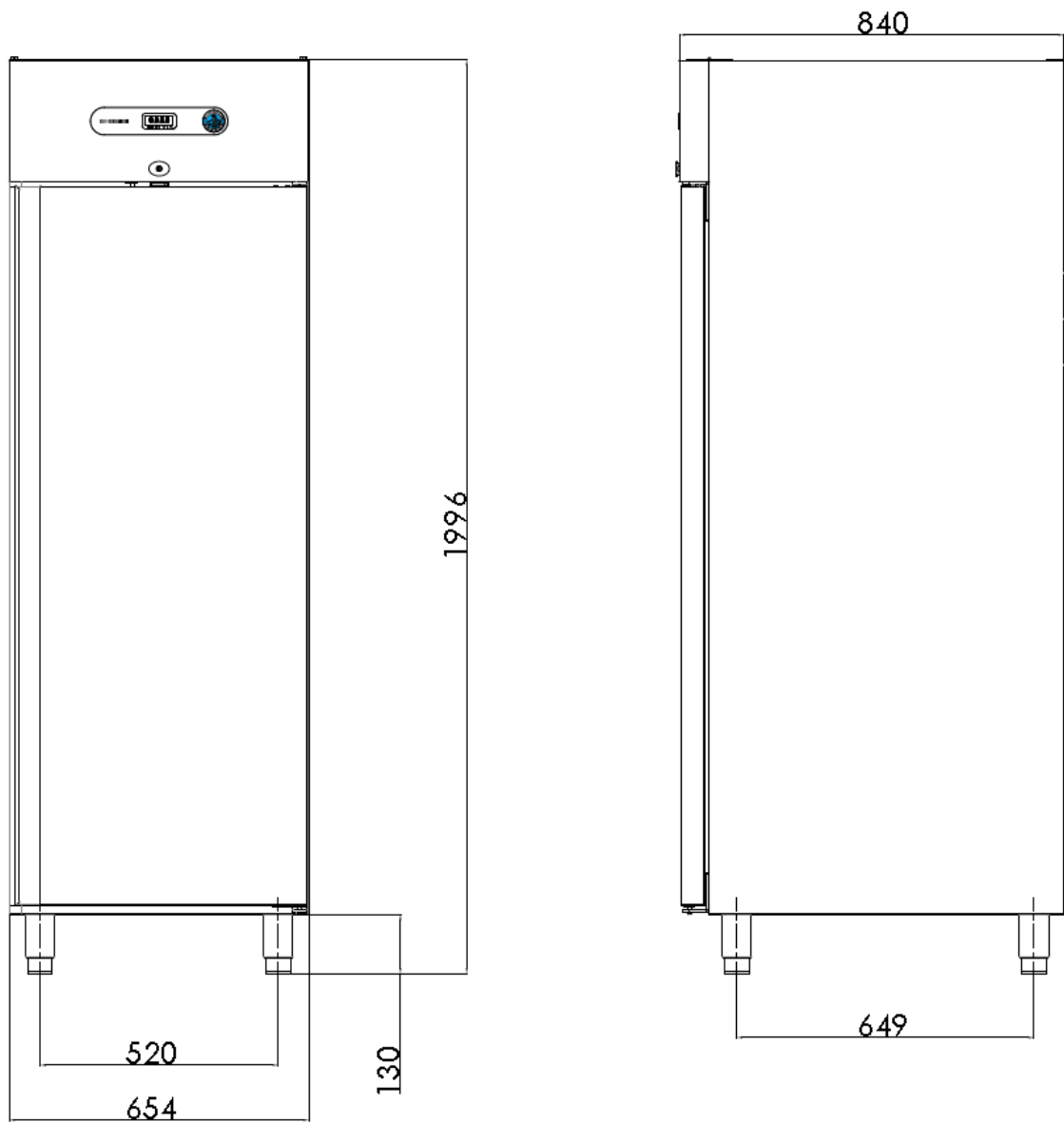
# HOSHIZAKI Snowflake GII



## IV. TECHNISCHE INFORMATIONEN

### PRODUKTDIMENSIONEN

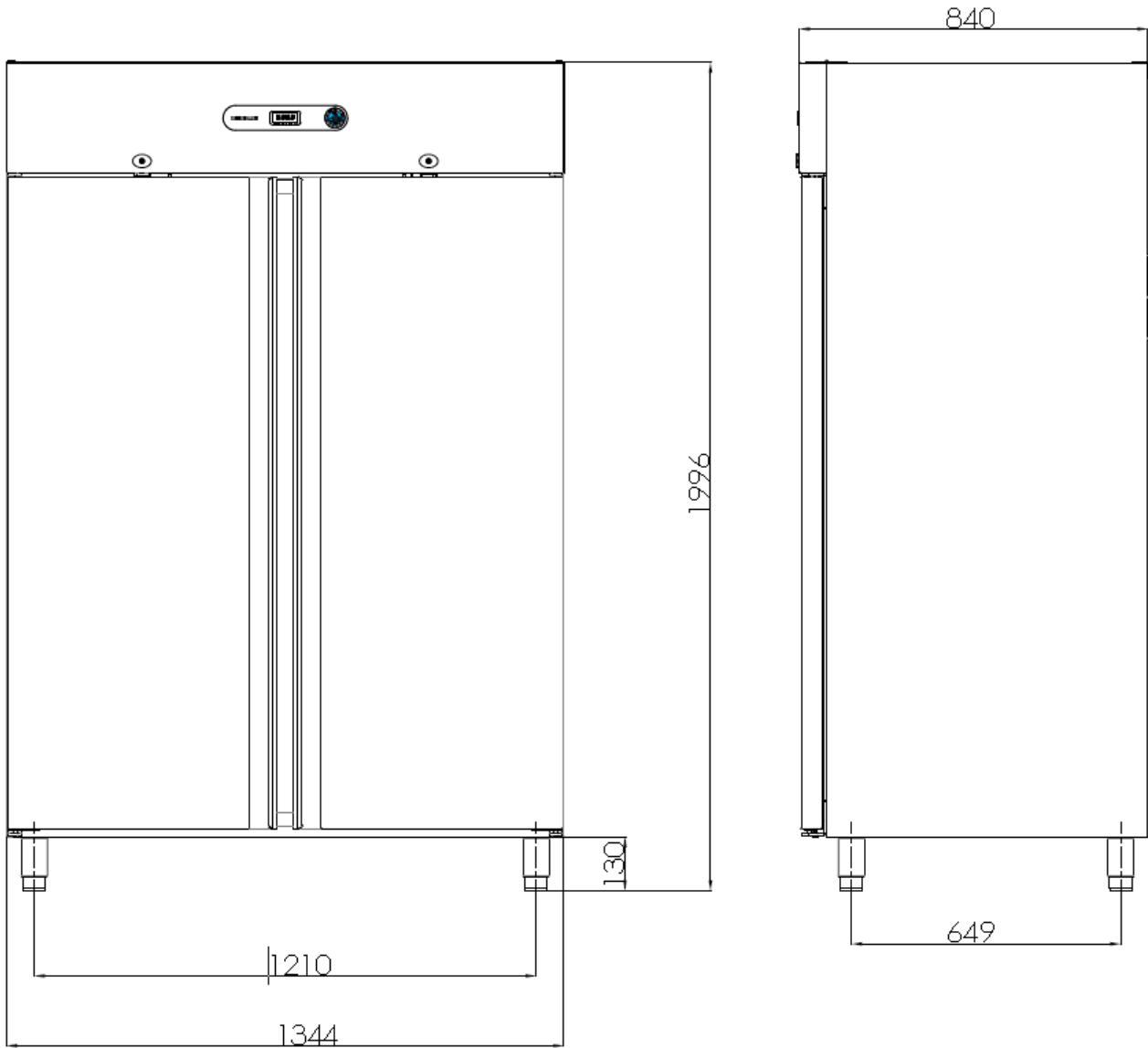
SUR-65DG & SUF-65DG



# HOSHIZAKI Snowflake GII



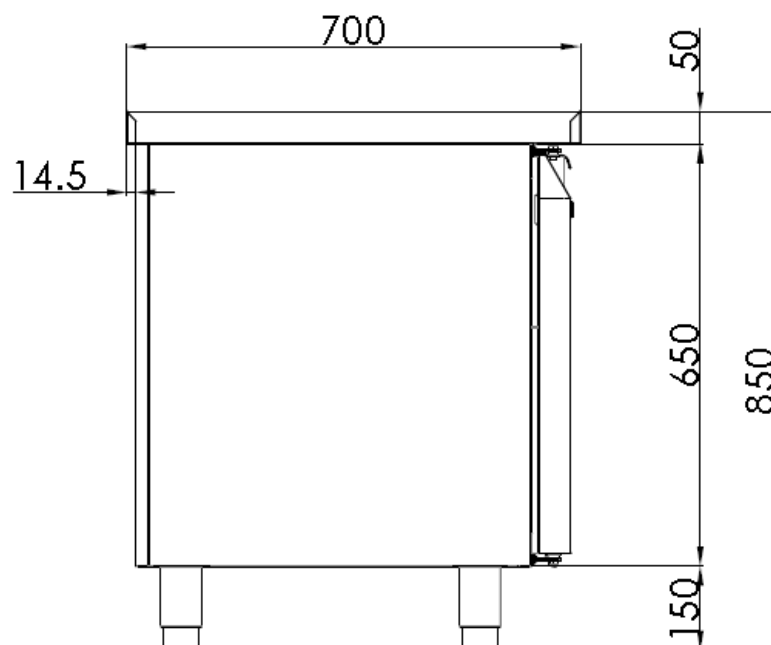
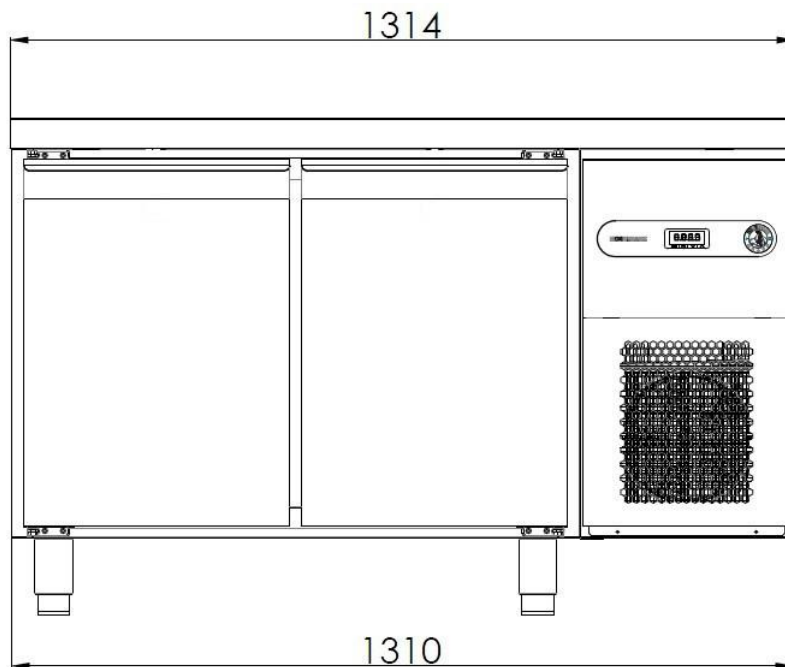
SUR-135DG & SUF-135DG & SUF-135DG



# HOSHIZAKI Snowflake GII



SCR-130DG

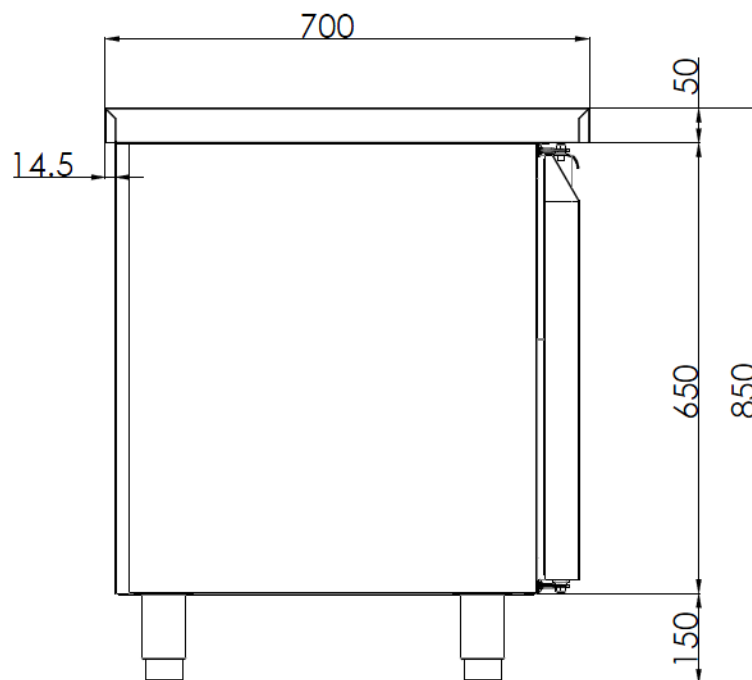
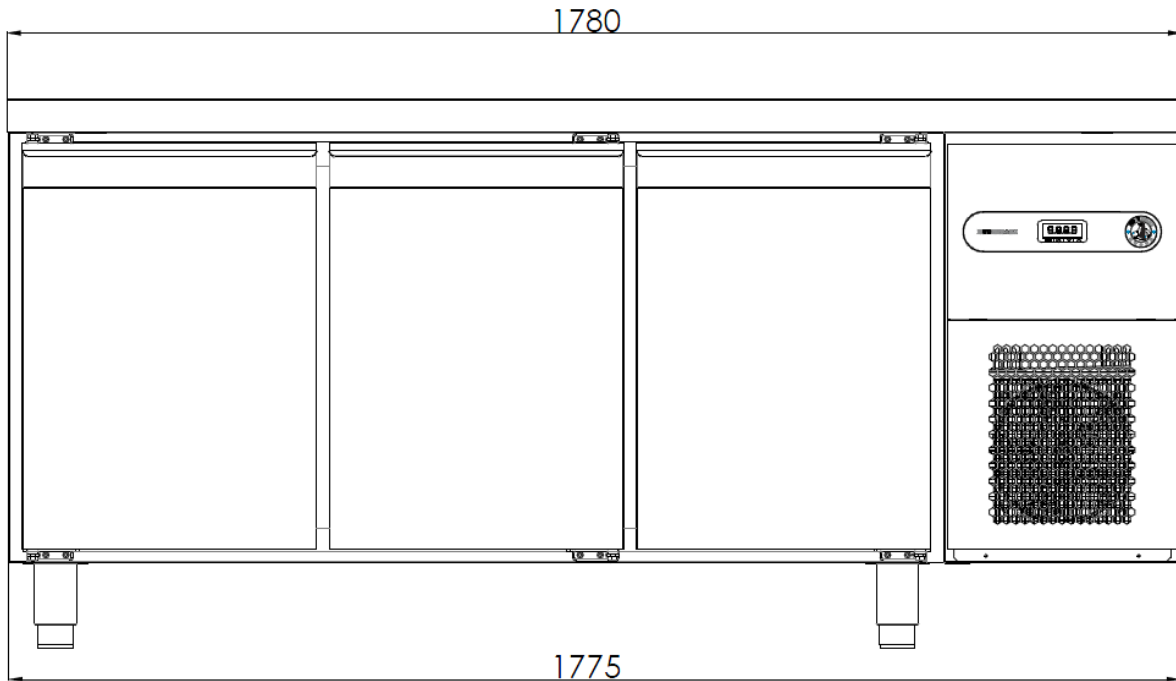




# HOSHIZAKI Snowflake GII



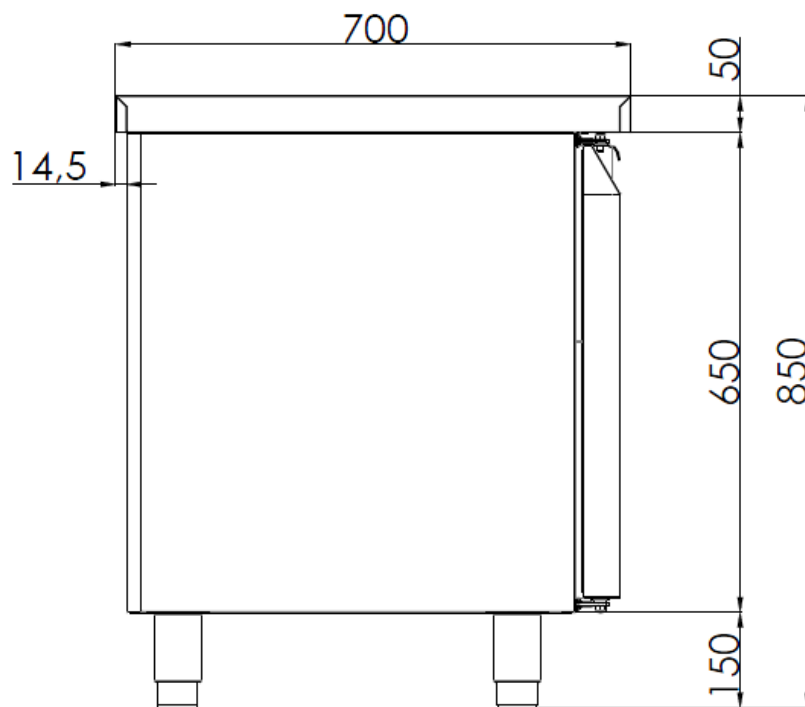
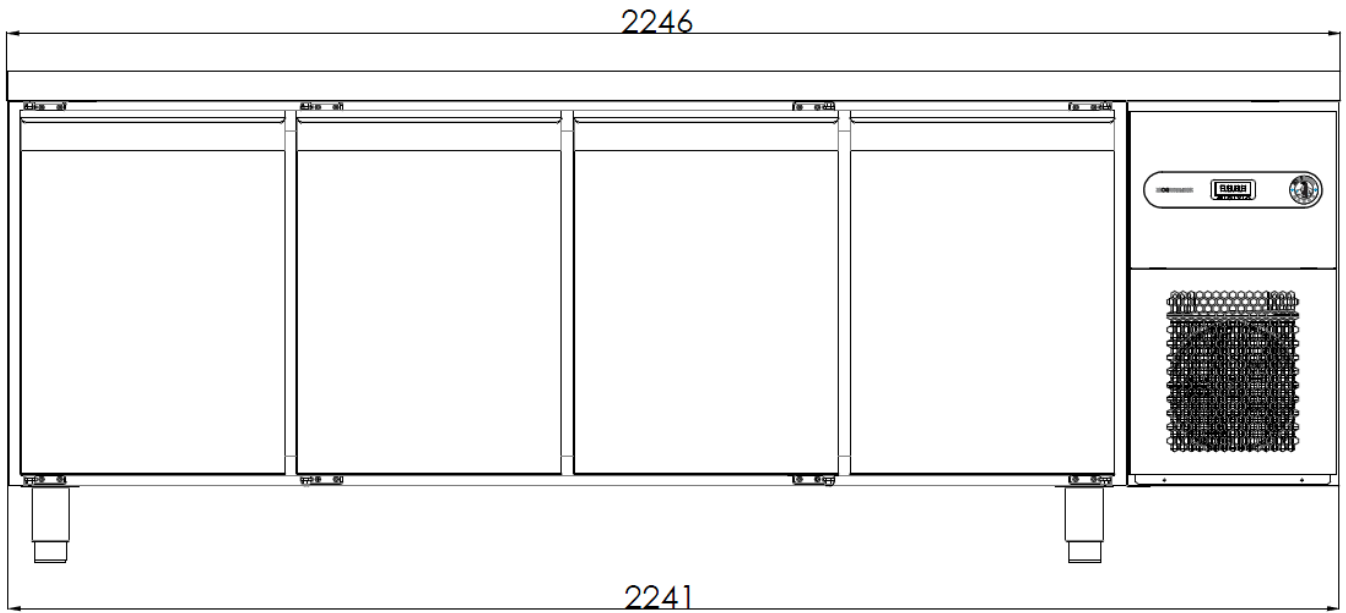
SCR-180DG



# HOSHIZAKI Snowflake GII



SCR-225DG

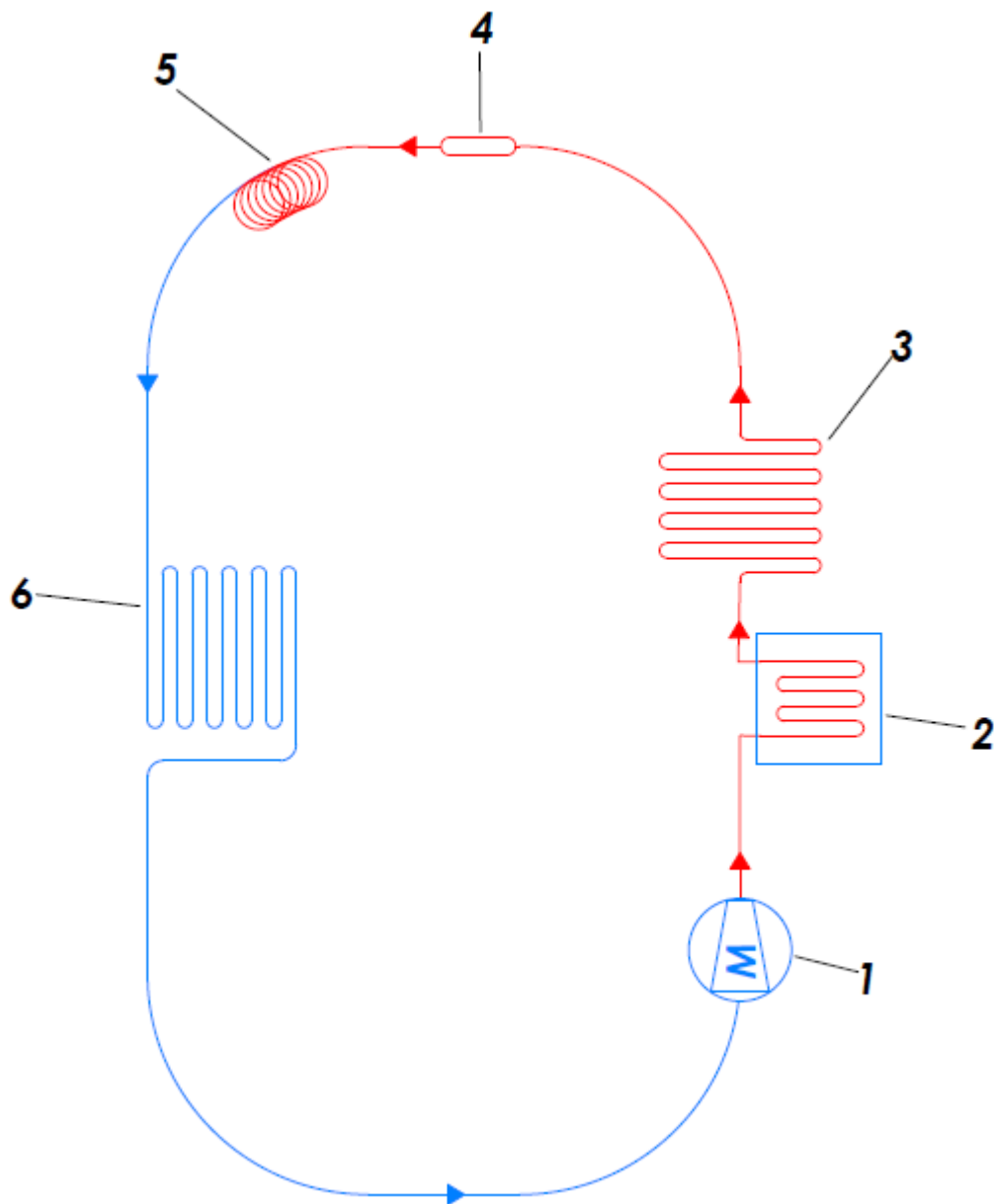


# HOSHIZAKI Snowflake GII

TECHNISCHE ELEMENTE – KÜHLUNG



Standard-Kühlsystem



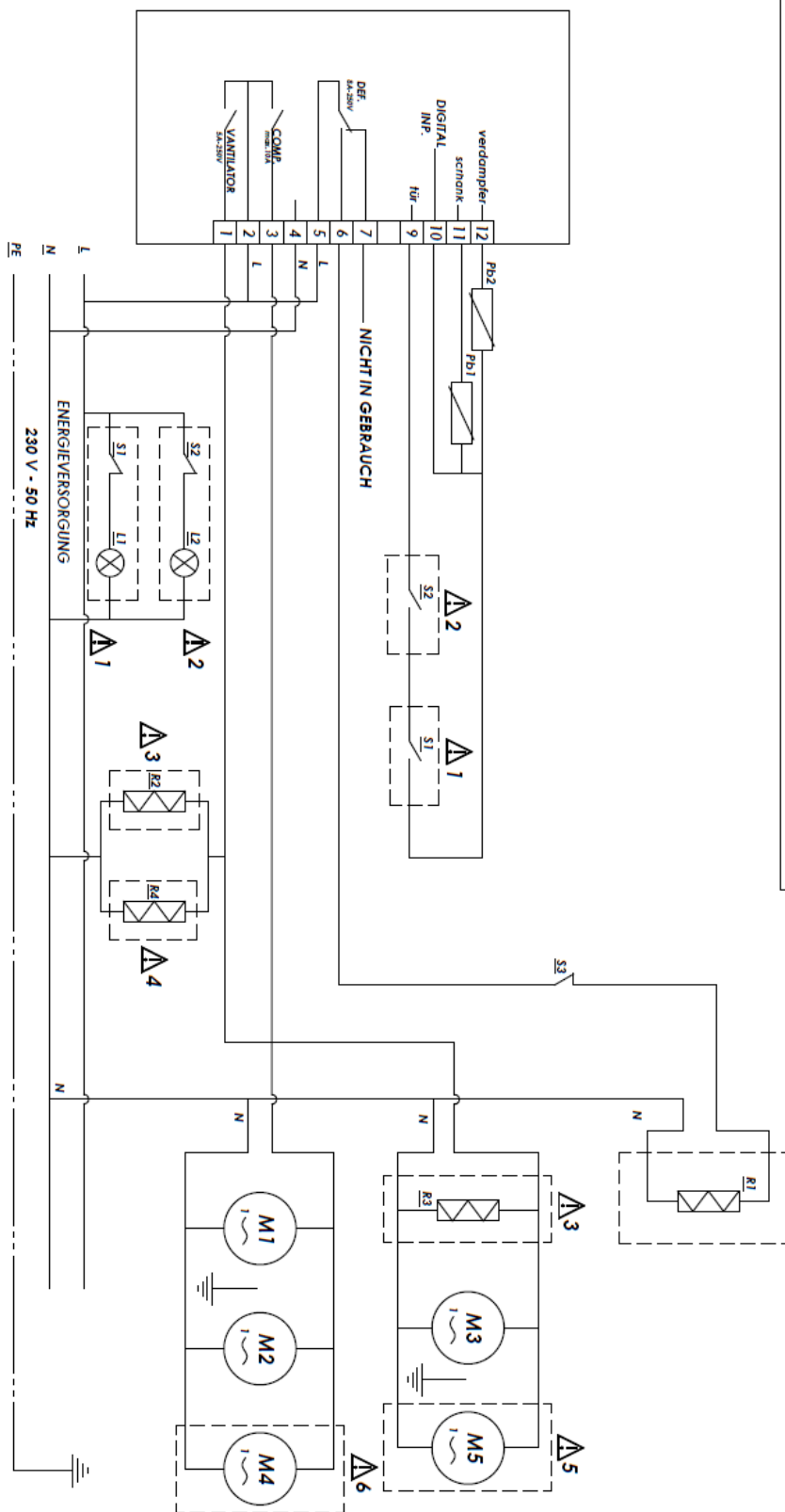
- 1 Kompressor
- 2 Kondensatwanne (2 Stück für Doppel-Gefriergeräte)
- 3 Kondensator
- 4 Trockner
- 5 Kapillarrohr
- 6 Verdampfer



# HOSHIZAKI Snowflake GII

ELEKTRIZITÄT TECHNISCHE ELEMENTE

## EVCO EV3B23N7 MODELLE DIGITAL-THERMOSTAT



### BESCHREIBUNG

- △1 Verfügbar nur bei SUF, SUF 135 Modellen.
- △2 Nicht verfügbar bei Tischgefrierschrank-Modellen.
- △3 Nur auf Gefrierschränken SUF 65
- △4 △5 △6 Nur auf Doppel-Gefriertruhen erhältlich

- S1: Türkontaktschalter 1
- S2: Türkontaktschalter 2
- S3: Wärmeschutz
- M1: Kompressor
- M2, M4: Kondensatorlüfter
- M3, M5: Verdampferlüfter
- Pb1: Schrank-Taster
- Pb2: Verdampfer-Taster
- R1: Abtauheizung
- R2-R4: Abflussleitung Heizung
- R3: Türinnenkabel-Heizer
- L1/L2: LED-Lampe

# HOSHIZAKI Snowflake GII



## V. SERVICEBEFUNDUNGEN

In der folgenden Tabelle sind einige Probleme aufgelistet, mit denen Sie konfrontiert werden können. Wenn ein Alarmcode angezeigt wird, bedeutet das, dass eine Störung aufgetreten ist. Bitte beseitigen Sie mögliche Ursachen, bevor Sie das Gehäuse zurücksetzen. Mögliche Ursachen und Abhilfemaßnahmen sind unten aufgeführt.

Wenn ein Fehlercode weiterhin besteht, nachdem Sie die folgenden Kontrollen durchgeführt haben, wenden Sie sich bitte an einen autorisierten Techniker. Die Charakteristik der Fehlermeldung muss ermittelt werden. Produktdetails einschließlich der Seriennummer finden Sie auf dem Typenschild des Produkts.

PROBLEM	MÖGLICHE URSACHE	ABHILFE	
Der Schrank funktioniert nicht	Der Schrank wird nicht mit Strom versorgt	Überprüfen Sie, ob Netzstecker und Kabel in Ordnung sind	
Der Kompressor hört selten auf zu laufen	Die Umgebungstemperatur ist zu hoch	Die Belüftung muß verbessert werden	
	Kondensator- oder Kondensatorfilter sind blockiert	Prüfen Sie den Kondensatorfilter und reinigen Sie ihn regelmäßig	
	Niedrige Kältemittelfüllung	Rufen Sie den autorisierten Techniker an, und lassen Sie den Leck reparieren	
	Türdichtungen sind nicht richtig versiegelt	Rufen Sie den autorisierten Techniker an, und lassen Sie die Dichtungen ersetzen	
	Der Verdampfer ist gefroren	Legen Sie keine heißen Speisen in den Schrank Stellen Sie keine Lebensmittel mit hohem Wassergehalt in den Schrank, es sei denn, sie werden in verschlossenen Behältern gelagert Starten Sie einen manuellen Abtauzyklus	
Wasser läuft aus dem Kondensator-Wasserbehälter aus	Häufiges Einlegen von warmen Speisen in den Schrank	Legen Sie keine heißen Speisen in den Schrank Bewahren Sie Lebensmittel mit hohem Wassergehalt nur in verschlossenen Behältern im Schrank auf	
	Häufiges Öffnen von Türen oder Schubladen	Überprüfen Sie, ob die Schrankspezifikationen für den aktuellen Gebrauch geeignet sind	
Die Schranktemperatur ist hoch	Kondensator ist mit Schmutz und Staub verstopft	Prüfen und reinigen Sie den Kondensatorfilter regelmäßig	
	Der Luftstrom im Schrank ist blockiert	Entfernen Sie Gegenstände, die den Luftstrom blockieren	
	Umgebungsluft tritt in den Schrank ein	Gehen Sie sicher, dass die Tür geschlossen ist	Prüfen Sie die Tür- und Schubladenabdichtungen auf Beschädigungen
		Wenden Sie sich an einen autorisierten Techniker	
	Verdampfer ist gefroren	Starten Sie einen manuellen Abtauzyklus	

# HOSHIZAKI

## Snowflake GII



### VI. ENTSORGUNG UND ERSATZ

---

#### ERSETZEN DER INNENLEUCHE

- Schalten Sie die Stromversorgung am Hauptschalter aus oder entfernen Sie den Schrankstecker aus der Steckdose.
- Öffnen Sie die Tür.
- Entfernen Sie die Schraube der Überdachung und heben Sie die Überdachung an.
- Gehen Sie sicher, daß der Nennwert der neuen Glühbirne mit dem der alten übereinstimmt. Werte wie Spannung und Wattleistung sind auf der Glühbirne angegeben
- Ersetzen Sie die alte Glühbirne durch die neue.

#### ENTSORGUNG DES SCHRANKES

- Das im Schrank vorhandene Kältegas ist am Typenschild angegeben.
- Der Schrank wurde aus wiederverwertbaren Materialien gemäß den EU-Vorschriften hergestellt. Daher muß er am Ende seines Wirtschaftslebens zur Entsorgung an das entsprechende Recyclingzentrum weitergegeben werden.
- Entsorgen Sie den Schrank nicht als Metall- oder Hausmüll.
- Pressen Sie den Kühlkreislauf der Kühlanlage nicht.

#### WICHTIG

Beachten Sie bei der Entsorgung des Kabinetts die örtlichen Vorschriften und Anweisungen.



# HOSHIZAKI

## Snowflake GII

Alle Rechte vorbehalten.

---

Hoshizaki behält sich das Recht vor, irgendwelche Eigenschaften und Informationen in diesem Handbuch zu ändern.

### Kontaktinformationen

#### Hauptsitz

**Hoshizaki Europa B.V.**

TEL: +31 20 691 8499

Sales@hoshizaki.nl

<http://hoshizaki-europe.com/>

#### Zweigniederlassung

**Hoshizaki UK - UK, Irland**

TEL: +44 845 456 0585

uksales@hoshizaki.co.uk

**Hoshizaki Deutschland - Germany, Schweiz, Austria**

TEL: +49 2154 92810, +49 5066 604612

info@hoshizaki.de

**Hoshizaki BENELUX - Niederlande, Belgien, Luxemburg**

TEL: +31 20 565 0420, +31 54 645 4252

sales@hoshizaki.nl

**Hoshizaki France -Frankreich**

TEL: +33 1 48 63 93 80

info@hoshizaki.fr

**Hoshizaki Iberia – Spanien, Portugal**

TEL: +34 93 478 09 52

info@hoshizaki.es

**Hoshizaki Middle East - Mittelosten**

TEL: +971 48 876 612

sales@hoshizaki.ae

**Hoshizaki Danmark – Denmark, Norway, Sweden**

TEL: +45 8988 5350

salg@hoshizaki.dk

**Hoshizaki Europe B.V – Alle anderen Länder in Europa und Afrika**

TEL: +31 20 565 0420

sales@hoshizaki.nl

# HOSHIZAKI Snowflake GII

---





# HOSHIZAKI Snowflake GII



## REFRIGERADORES Y CONGELADORES

### MANUAL DE OPERACIÓN, MANTENIMIENTO E INSTALACIÓN



<b>I. INFORMACIÓN GENERAL</b>	<b>74</b>
<b>II. INSTRUCCIONES DE USO</b>	<b>78</b>
<b>III. INSTRUCCIONES DE MANTENIMIENTO</b>	<b>84</b>
<b>IV. INFORMACIÓN TÉCNICA</b>	<b>86</b>
<b>V. DIAGNÓSTICO DE SERVICIOS</b>	<b>93</b>
<b>VI. ELIMINACIÓN Y REEMPLAZO</b>	<b>94</b>

Detalles de Contacto:  
HOSHIZAKI EUROPE B.V.  
Dirección: : Burgemeester Stramanweg 101 1101 AA Amsterdam, The Netherlands  
Tel: +31 (0)20 691 8499 <http://hoshizaki-europe.com/>

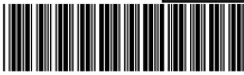
# HOSHIZAKI Snowflake GII



## I. INFORMACIÓN GENERAL

### ETIQUETA DE DESCRIPCIÓN DEL PRODUCTO

1	Número del Producto
2	Descripción del Producto
3	Modelo
4	Refrigerante (PCA)
5	Equivalente de CO2
6	Protección contra el Ingreso
7	Clase Climática
8	Fecha de Fabricación
9	Alimentación – Corriente
10	Tensión – Frecuencia
11	Elemento Calefactor
12	Presión del Sistema
13	Agente Espumante
14	Número de Serie

PRODUCT NUMBER	1
	
PRODUCT DESCRIPTION	2
MODEL	3
REFRIGERANT	4
CO2 EQUIVALENT	5
IP PROTECTION	6
CLIMATE CLASS	7
PRODUCTION DATE	8
POWER-CURRENT	9
VOLTAGE - FREQUENCY	10
HEATING ELEMENT	11
SYSTEM PRESSURE	12
BLOWING AGENT	13

S/N: 14



HOSHIZAKI EUROPE B.V. Burgemeester Stramanweg 101 1101 AA  
Amsterdam, The Netherlands



### OBJETIVO DE UTILIZACIÓN

- El presente producto es adecuado para utilizar en espacios interiores solamente y únicamente con el fin de almacenar las comidas y bebidas.
- El fabricante no se hace responsable de cualquier daño que pueda surgir como consecuencia del uso contrario a lo que instruido en el presente manual.
- Mientras se almacena comida en este refrigerador, es necesario asegurarse de que la comida nunca entre en contacto con el cuerpo del refrigerador.
- Todas las comidas deben ser completamente cubiertas.
- No almacene comidas calientes ni líquidos en este refrigerador.
- Las bebidas almacenadas en cajas y botellas de vidrio no deben almacenarse a temperaturas bajo 0°C (punto de congelación). Las latas y botellas de vidrio pueden explotar debido a la expansión. Todos los recipientes con tapa deben no llenarse completamente; debe dejar un poco de espacio para expansión.
- Este refrigerador está equipada con una instalación de descongelación automática. También es posible procesar descongelación manual. La descongelación manual no incluye en quitar el refrigerador durante largos períodos pero se puede manejar a través del controlador. Bajo ninguna circunstancia debe aplicar fuerza o herramientas de mano para descongelar el refrigerador ya que cualquier daño que se pueda ocurrir a causa de la dicha acción será difícil de reparar.
- No utilice ningún método alternativo o mecánico de descongelación.
- Cualquier modificación eléctrica o mecánica que se aplique en este refrigerador anulará la garantía. Las modificaciones efectuadas por ingenieros de servicio no autorizados y cualquier modificación que se aplique además de lo que descrito en el presente manual también anularán la garantía. El Fabricante no aceptará responsabilidad de los daños que se deriven de tales modificaciones.

# HOSHIZAKI

## Snowflake GII



### CLASE CLIMÁTICA

El refrigerador está diseñado para funcionar dentro de ciertos niveles de temperatura ambiental y humedad. Las dichas niveles se presentan en el sistema de clase climática. Nunca debe superar estas niveles. La clase climática para el presente producto se puede encontrar en la etiqueta de descripción del producto.

Clase Climática	Temperatura Ambiental y Humedad
4	+30°C con 55% RH
5	+40°C con 40% RH

### PRIMERA ENTREGA Y CONTROLES

Este refrigerador está embalado por material de embalaje protector para envío. En la entrega, por favor controle el refrigerador contra cualquier daño de transporte posible y asegúrese de que el modelo del refrigerador es lo que usted había ordenado.

### IMPORTANTE

Todas las operaciones abajo listadas deben cumplir totalmente con todas las normativas y reglamentos de seguridad locales. Véase todos los reglamentos de seguridad actuales al funcionar este producto.

### TRANSPORTACIÓN

Al elevar el producto por maquinaria, la capacidad de elevación de cualquier maquinaria debe verificarse antes de llevar a cabo tales procedimientos.

### IMPORTANTE

Cuando se usa una carretilla elevadora para mover el producto, por favor asegúrese de que las horquillas estén insertadas en los orificios adecuados en el palé.

Al mover, debe prestar atención a la estabilidad del producto. Si el centro de gravedad no se coloca en el centro del producto, será propenso a volcarse. Al bajar el producto a través de una carretilla elevadora, asegúrese de que eso se realice lentamente y con cuidado.

En caso de que se haga necesario transportar algún refrigerador vertical en posición horizontal, por favor asegúrese de que el refrigerador se quede recto por lo menos 2 horas antes de su funcionamiento. No es recomendable transportar refrigeradores verticales en posición horizontal y cualquier daño que se derive de tal acción no será cubierto por la garantía.

### ATENCIÓN

Las recomendaciones escritas en la parte exterior del embalaje de transporte son para el beneficio del usuario. Por lo tanto, debe tener las siguientes recomendaciones en cuenta:

- Lleve el producto con cuidado.
- Mantenga el producto seco.
- No utilice la parte superior del refrigerador para almacenamiento.

# HOSHIZAKI Snowflake GII



## APERTURA DEL EMBALAJE

- Quitarle el cartón y todos otros materiales de embalaje
- Eleve el refrigerador para desconectar y quitarlo del palé.
- Coloque el refrigerador al punto deseado levantando sobre su propio base.
- Controle el producto para cualquier daño visible.
- Los materiales de embalaje pueden ser reciclados de acuerdo con los reglamentos de reciclaje local.
- Verifique que el código del producto y el número de serie se coincida con todos los documentos de envío.

## Refrigeradores Verticales

Marca			HOSHIZAKI			
Nombre del Modelo			SUR-65DG	SUR-135DG	SUF-65DG	SUF-135DG
Uso previsto			Almacenamiento	Almacenamiento	Almacenamiento	Almacenamiento
Temperatura de operación de enfrió			X	X		
Temperatura de operación congelación					X	X
Refrigerador de multiuso						
Refrigerador vertical			X	X	X	X
Refrigerador contrario						
<u>Parámetro</u>	<u>Símbolo</u>	<u>Unidad</u>				
Clase de Eficiencia Energética	EEC	-	D	D	D	E
Índice de Eficiencia Energética	EEL	-	74.96	74.69	74.57	77.54
Consumo de Energía por 24 horas	E24h	kWh	2.61	3.97	7.01	11.50
Consumo de Energía Anuario	AEC	kWh	952.65	1449.05	2558.65	4198.00
Volumen neto por compartimento 1	Vn or	litro	402.8	405.2	397.6	400.0
Volumen neto por compartimento 2	Vn2	litro	-	405.2	-	400.0
Volumen neto por compartimento 3	Vn3	litro	-	-	-	
Volumen neto por compartimento 4	Vn4	litro	-	-	-	
Volumen neto total	VnT	litro	402.8	810.3	397.6	800.0
Clase Climática	CC		5	5	5	4
Refrigerante			R290	R290	R290	R290
Carga		kg	0.068	0.104	0.106	0.142
PCA			3	3	3	3
Equivalente de CO2		t. CO2	0.204	0.312	0.318	0.426
Tarea Pesada; La presente aplicación está diseñada para ser utilizada a temperaturas ambientales hasta 40°C			X	X	X	
Detalles de contacto	HOSHIZAKI EUROPE B.V.					
	Address: Burgemeester Stramanweg 101 1101 AA Amsterdam, The Netherlands Tel.: +31 (0)20 691 8499 <a href="http://hoshizaki.europe.com/">http://hoshizaki.europe.com/</a>					

# HOSHIZAKI Snowflake GII



## Refrigeradores Contrarios

Marca			Hoshizaki								
Nombre del Modelo			SCR-130DG			SCR-180DG			SCR-225DG		
			LR	22	32	LRR	222	332	LLRR	2222	3332
Uso previsto			Almacenamiento			Almacenamiento			Almacenamiento		
Temperatura de Operación de Enfrió			X	X	X	X	X	X	X	X	X
Temperatura de Operación de Descongelación											
Refrigerador de multiuso											
Refrigerador vertical											
Refrigerador contrario			X	X	X	X	X	X	X	X	X
Parámetro	Símbolo	Unidad									
Clase de Eficiencia Energética	EEC		C	C	C	C	C	C	C	D	D
Índice de Eficiencia Energética	EEl		40.63	36.21	36.93	37.89	43.39	45.00	43.54	60.06	63.23
Consumo de Energía por 24 horas	E24h	kWh	2.48	2.10	2.10	2.54	2.71	2.71	3.18	4.02	4.02
Consumo de Energía Anuario	AEC	kWh	905.20	766.5	766.5	927.10	989.15	989.15	1160.70	1467.30	1467.30
Volumen neto por compartimento 1	Vn1	litro	85.7	63.9	47.9	85.7	63.9	47.9	85.7	63.9	47.9
Volumen neto por compartimento 2	Vn2	litro	85.7	63.9	63.9	85.7	63.9	47.9	85.7	63.9	47.9
Volumen neto por compartimento 3	Vn3	litro				85.7	63.9	63.9	85.7	63.9	47.9
Volumen neto por compartimento 4	Vn4	litro							85.7	63.9	63.9
Volumen neto total	VnT	litro	171.4	127.8	111.8	257.1	191.7	159.7	342.8	255.6	207.6
Clase Climática	CC		5			5	4	4	5	4	4
Refrigerante			R290			R290			R290		
Carga		kg	0.055			0.079			0.095		
PCA(GWP)			3			3			3		
Equivalente de CO2		t. CO2	0.165			0.237			0.285		
Tarea Pesada; La presente aplicación está diseñada para ser utilizada a temperaturas ambientales hasta 40°C			X	X	X	X			X		
Detalles de contacto			HOSHIZAKI EUROPE B.V.								
			Address: Burgemeester Stramanweg 101 1101 AA Amsterdam, The Netherlands Tel.: +31 (0)20 691 8499 <a href="http://hoshizaki.europe.com/">http://hoshizaki.europe.com/</a>								

# HOSHIZAKI

## Snowflake GI



### II. INSTRUCCIONES DE USO

---

#### ELECTRICIDAD

Antes de conectar el producto a la alimentación eléctrica, por favor asegúrese de que la fuente de alimentación mencionado sobre la etiqueta de descripción del producto se coincida con la fuente de alimentación eléctrica local.

La Etiqueta de Descripción del Producto con la fuente de alimentación eléctrica mencionada se pueden encontrar en la parte interior del refrigerador a mano arriba a la izquierda.

La instalación del producto se debe llevar a cabo solamente por un personal del servicio cualificado y educado de acuerdo con las especificaciones listadas en este manual.

La seguridad eléctrica de este refrigerador solamente puede ser válida si se conecta a la tierra de acuerdo con leyes y reglamentos locales.

Conexión a tierra del producto siempre es requerido.

El Fabricante no aceptará responsabilidad de cualquier daño que se derive de conexión a tierra inadecuada.

Adhiérase a todos los requerimientos de electricidad establecido por los reglamentos locales de electricidad. El enchufe de energía del producto y la toma mural deben tener la correcta lectura de conexión a tierra. Si es necesario, reciba asistencia de un electricista cualificado.

#### CONTROLES PRELIMINARES GENERALES

Asegúrese de que el refrigerador se lleva a nivel de tierra y que sea vertical. Si es necesario, los pies ajustables del refrigerador se pueden utilizar para conseguir la dicha posición. Todos los pies deben estar en contacto con la tierra. Esto es necesario para operación apropiada de la puerta del refrigerador.

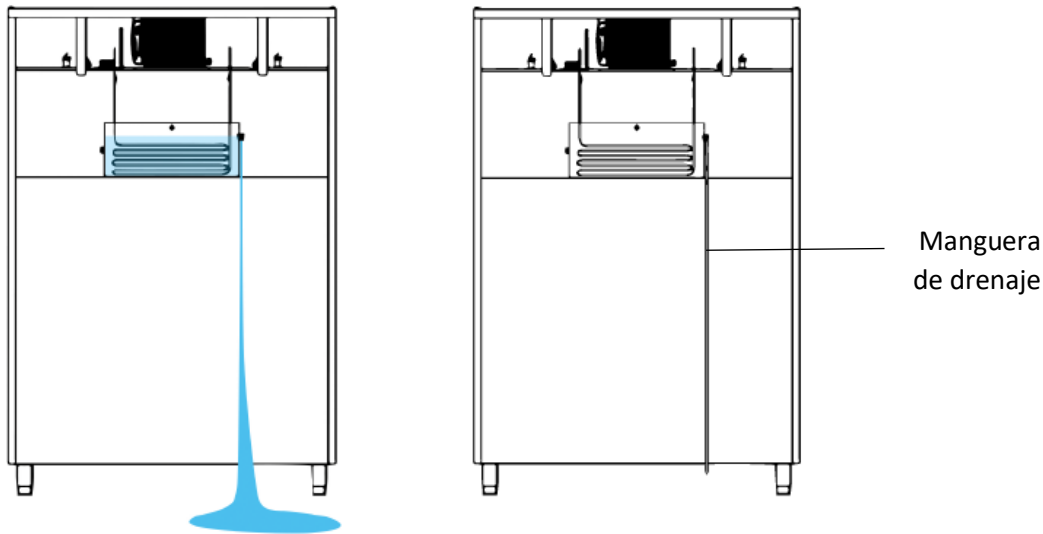
No coloque el refrigerador al lado de ningún dispositivo que genera calor tal como hornos, parrillas y freidoras. No lo exponga a la luz solar directa. El calor que se irradie por muros o suelos debe ser aislado con el material de aislamiento adecuado. El refrigerador debe colocarse en la medida de lo posible de cualquier fuente de calor.

Si el gabinete se vuelve a ubicar, espere tres horas antes de volver a encenderlo. La protección plástica o cinta debe ser removida de las superficies externas.

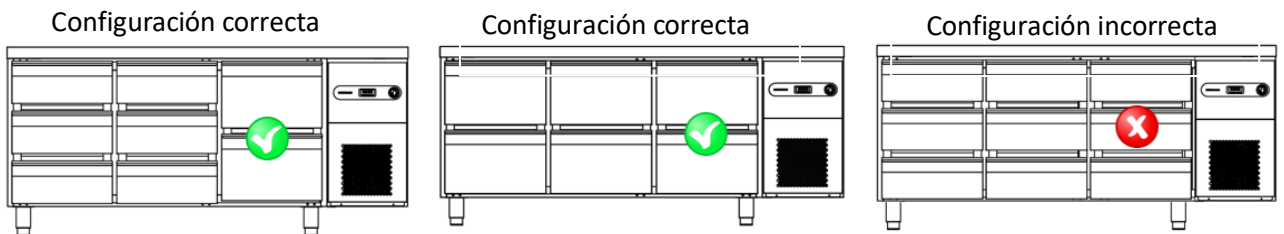
Asegúrese de que el armario esté posicionado de una forma que pueda fluir suficiente aire desde / hacia el circuito de refrigeración y alrededor de las superficies del gabinete. Deje por lo menos 500 mm de espacio libre en la parte superior del gabinete.

No bloquee ningún orificio de ventilación.

# HOSHIZAKI Snowflake GII



En caso de desbordamiento de agua de la bandeja de re-evaporación en la parte posterior de un gabinete vertical, el usuario debe conectar una manguera de drenaje (6 mm de diámetro) a la bandeja. La manguera conducirá al piso / drenaje en el piso. Hay un conector rápido en la bandeja de drenaje donde el usuario puede conectar la manguera de drenaje.



Ciertos modelos de SCR están preparados para cambiar la configuración de puerta / cajón. Sin embargo, un juego de cajones con 3 piezas de cajones de 1/3 NUNCA se puede colocar al lado del compartimiento del compresor. Póngase en contacto con su distribuidor para obtener más información.

## VERIFICACIÓN PRELIMINAR DEL AGUA DE DESCONGELACIÓN

Los gabinetes verticales están construidos para permitir hasta aproximadamente 72 aperturas de puertas por día según EN16825. Si el uso de la puerta es más de este nivel; enconcesi, es necesario conectar el (los) tubo(s) de drenaje en una conexión externa.

## CONTROLES PRELIMINARES DE ELECTRICIDAD

- Controle si la tensión de alimentación y frecuencia de la toma conforme con la información prevista sobre la etiqueta de descripción del producto.
- El refrigerador es conectado a una toma de corriente con un fusible de 13-16 Amp por conexión en serie .
- Desactive el fusible de toma de corriente conectado al cable de alimentación.
- Controle que el enchufe en el refrigerador sea apropiado para usar con la toma de alimentación disponible y que se unan bien.



# HOSHIZAKI

## Snowflake GII

### ATEX 2014/34/EU Requerimientos:

- 1- En caso de peligros y pérdidas que podrá originar por el motivo de estar no conforme la infraestructura del área de uso, el productor y el autorizado de servicio técnico no acepta ninguna responsabilidad.
- 2- La velocidad de aspiración del ambiente en que se encuentra el producto no tiene que ser bajo 0,3m/seg.
- 3- La capacidad de aspiración tiene que estar en una capacidad que podrá cambiar el aire del ambiente 5 veces en 1 hora mínima.
- 4- En caso de que si exista alguna fuga de gas en el ambiente, tiene que estar vinculado al sistema que cortara la energía del dispositivo y señalizador en %20 máxima de los valores de LEL de gas (lower explosive limit).
- 5- Se tiene que colocar los detectores de gas al ambiente. Los detectores de gas deben instalarse en lugares apropiados que detecten GPL y gas natural.
- 6- Las intervenciones realizadas fuera del personal de servicio técnico autorizado que ha tomado la formación del reglamento Atex 2014/34/EU y las situaciones peligrosas que podrá originar por el motivo de cambios y las pérdidas no tiene el productor ninguna responsabilidad. En este caso el certificado de Atex considera como válido.
- 7- En caso de una fuga de gas en el ambiente o una advertencia de los detectores de gas, la energía del enfriador debe ser desconectada. Por lo tanto, el sistema eléctrico debe estar equipado con un sistema que interrumpa el flujo de gas cuando escapa el gas.

### PRIMERA OPERACIÓN Y CONTROLES

Después de que los controles arriba mencionados son completados, se puede operar el refrigerador.

El interruptor ON/OFF opera el refrigerador.

Después de que el refrigerador se encienda, el compresor empezará a operar. El compresor se operará hasta que la temperatura ajustada por la fábrica se alcance. Las comidas no deben ser puestos en el refrigerador hasta que el la temperatura se haya ajustado conveniente a colocar las comidas que se enfriaran.

Nueva temperatura se puede configurar a través del controlador como descrito en este manual.

### IMPORTANTE

- Permita que el producto se enfríe hasta la temperatura ajustada antes de poner productos alimenticios.
- Nunca exceda la capacidad máxima de carga.
- La capacidad máxima de la estantería consta de una carga uniforme de 40 kg por cada estante en refrigeradores verticales y 20 kg por estantes y cajones en refrigeradores contrarios.
- Refiérase a la sección de "Controles Preliminares Generales" del presente manual para información sobre el espacio requerido para buena ventilación del aire en torno al producto.
- No almacene sustancias explosivas tal como botes aerosoles con un propulsor inflamable en este dispositivo.

### ADVERTENCIA:

- No bloquee ninguna abertura de ventilación en el aparato en ningún momento.
- No utilice dispositivos mecánicos u otros medios para acelerar el proceso de descongelación, que no sean los recomendados por el fabricante.
- No dañe el circuito de refrigerante.



# HOSHIZAKI

## Snowflake GII



### CONDICIONES DE ALMACENAMIENTO Y RENDIMIENTO

Las condiciones adecuadas de almacenamiento no solo son esencial para asegurar higiene y seguridad alimentaria sino también mejoran la calidad del servicio y reducen el consumo de energía. El mejor rendimiento se puede alcanzar en la luz de los siguientes consejos e instrucciones se sigan: mantenga todos los productos alimenticios solamente sobre la estantería y nunca ponga productos alimenticios sobre el suelo del refrigerador.

Los productos alimenticios deben ser colocados en el refrigerador vertical o contrario de tal forma que permita buena ventilación del aire en todas partes, dejando espacios entre los productos y los muros. Si es necesario, la distancia del estante se puede ajustar respectivamente.

### PANEL DE CONTROL



El panel de control provee los siguientes controles y funciones:

1. Tecla AJUSTE
  - Se usa para añadir/ajustar valores de entrada
2. Tecla ON/OFF
  - Mantenga pulsado por 4 segundos para activar o desactivar el refrigerador
3. Tecla ABAJO
  - Se usa para desplazarse hacia abajo por el menú para modificar /reducir el valor
4. Tecla ARRIBA
  - Se usa para desplazarse hacia arriba por el menú para modificar /aumentar el valor
  - Mantenga pulsado por 4 segundos para activar la DESCONGELACIÓN MANUAL

### FUNCIONES DEL PANEL FRONTAL

El panel de control puede ser bloqueado y desbloqueado.

#### Para bloquear los controles:

- Asegúrese de que no haya ningún proceso en curso
- No lo use por 30 segundos
- La pantalla mostrará "LOC" por 1 segundo y el teclado se bloqueará automáticamente

#### Para desbloquear los controles:

- Pulse una tecla por un segundo: la pantalla mostrará el mensaje "UNL" por un segundo

### CONFIGURACIÓN DE TEMPERATURA

1. Asegúrese que el panel de control no esté bloqueado y que no haya ningún proceso en curso.
2. Pulse la tecla AJUSTE, el LED \* se destellará.
3. Modifique el ajuste de temperatura a través de las teclas ARRIBA y ABAJO.
4. Pulse la tecla AJUSTE o no lo use por 15 segundos. El LED \* desaparecerá y el controlador anulará el proceso.
5. Para salir del proceso de ajuste de temperature antes de que se termine:

# HOSHIZAKI

## Snowflake GII



- Pulse la tecla ON/OFF (las modificaciones no se guardan). El punto de ajuste de operación también se puede ajustar vía el parámetro SP.

### PANTALLA DE TEMPERATURA (como lo detectó por sondas)

- Asegúrese que el panel de control no esté bloqueado y que no haya ningún proceso en curso.
- Pulse la tecla ABAJO por 4 segundos: la pantalla mostrará la primera sonda disponible.
- Seleccionar la correcta sonda usando las teclas ARRIBA y ABAJO.
- Pulse la tecla AJUSTE.

La tabla por la siguiente muestra los códigos por cada sonda.

Etiqueta	Temperatura mostrada
Pb1	Temperatura del refrigerador
Pb2	Temperatura del evaporador

Para anular el proceso, pulse la tecla AJUSTE por 60 segundos y no lo use por 60 segundos. Luego, pulse la tecla ON/OFF.

Nota: si la sonda de evaporador no existe, el código Pb2 no se mostrará.

### ALARMAS DE TEMPERATURA

A continuación se encuentra una lista de alarmas mostradas por el presente refrigerador.

CÓDIGO	TIPO DE ALARMA	VALOR CRÍTICO
AL	Alarma de baja temperatura	Baja temperatura de cabina durante este alarma
AH	Alarma de alta temperatura	Alta temperatura de cabina durante este alarma
Id	Alarma de puerta abierta	Máxima temperatura de cabina durante este alarma

Ajustes de alarma se puede realizar solamente cuando el refrigerador no funciona.

Cuando la causa de alarma no es presente nada más, el refrigerador regresará a su operación normal.

### ACCESO AL HISTORIAL DE ALARMAS

- Pulse la tecla ABAJO por 2 segundos para ver el primer código
- Pulse y suelte la tecla ARRIBA o seleccione LS por pulsar la tecla ABAJO
- Pulse y suelte la tecla AJUSTE: uno de los códigos por abajo se mostrará

Para seleccionar un alarma, pulse la tecla ARRIBA hasta que se vea el código AH.

Para ver la información de alarma, pulse y suelte la tecla AJUSTE (el LED HACCP intermitente se para)

### TEXTOS DE PANTALLA Y SUS DEFINICIONES

8.0	Valores críticos 8.0 °C/°F
Dur	La pantalla muestra el tiempo de alarma
h01	Alarma de 1 hora (cont.)
n15	Alarma de 1 hora y 15 minutos
AH	Alarma seleccionado

Para salir del historial, pulse y suelte la tecla ON/STANDBY repetidamente.

Para anular el proceso, repetidamente pulse las teclas ARRIBA y ABAJO hasta que la pantalla muestre la temperatura del refrigerador o espere por 60 segundos sin pulsar ningún tecla.



# HOSHIZAKI

## Snowflake GII

Método de Anulación Alternativo: pulse y suelte la tecla ON/STANDBY. Si no hay alarmas determinadas, el código LS no se muestra.

### CÓDIGOS DE ERROR

Código	Descripción
<b>Pr1</b>	Error de la sonda del refrigerador
<b>Pr2</b>	Error de la sonda del evaporador

La corrección de los errores mencionados se puede llevar a cabo por un personal técnico cualificado.

### ESTADOS DE OPERACIÓN

Los estados de operación disponibles son listados como siguiente:

Estado	Descripción
<b>ON</b>	El refrigerador está alimentado y funciona
<b>STANDBY</b>	El refrigerador está alimentado pero apagado
<b>OFF</b>	El refrigerador no tiene alimentación, el enchufe no está conectado a la toma o el aislador principal está desactivada.

### IMPORTANTE

No lleve a cabo ningún mantenimiento o reparación cuando el refrigerador está en modo standby. Solamente cuando la fuente de alimentación esté aislada completamente del refrigerador, se puede llevar algo a cabo.

# HOSHIZAKI

## Snowflake GII



### III. INSTRUCCIONES DE MANTENIMIENTO

La presente sección es particularmente diseñada para el dueño/usuario del producto. Proporciona información importante sobre el uso correcto y la maximización de la vida útil del producto.

Escasos pasos sencillos durante el uso y ajuste pueden reducir la necesidad de reparaciones costosas por técnicos de mantenimiento. Los dichos pasos no requieren conocimiento técnico especial.

#### IMPORTANTE

Antes de aplicar limpieza y mantenimiento al producto, asegúrese de que la fuente de alimentación está desconectado y que no se vuelve a conectarse accidentalmente por cualquier otra persona.

#### ATENCIÓN

No lave el producto con agua de alta presión. Evite la posibilidad de pulverización en los componentes eléctricos.

#### LIMPIEZA

- Se recomienda que el interior del refrigerador se limpie periódicamente con detergentes desinfectantes. La limpieza interior del refrigerador debe llevarse a cabo usando agua caliente y ligeramente jabonosa.
- Solamente los detergentes de pH neutro o ligeramente alcalinos pueden ser usado a limpiar el interior y el exterior del refrigerador.
- Cualquier daño que se derive de productos de limpieza que contiene químicos que pueden dañar el acero inoxidable no se cubra por la garantía.
- Nunca use implementos de metal, esponjas de fibra metálica ni detergentes de fregue.
- La suciedad se puede limpiar con un paño húmedo.
- Mantenga las rejillas del refrigerador limpias y claras en todo momento.
- Las estantes son desmontables para acceso fácil de limpieza.
- Asegúrese de que los corredores de los estantes y los estantes mismos estén limpiados completamente.

#### IMPORTANTE

El producto se ha hecho de acero inoxidable. Cuando se usa bajo condiciones normales, el acero inoxidable no se corroe; sin embargo la corrosión del material inoxidable se ocurre si se aplican detergentes corrosivos.

#### MANTENIMIENTO RUTINARIO

##### CONDENSADOR

Es muy importante que el condensador sea capaz de transferencia de calor máxima. Por lo tanto, el superficie del condensador siempre debe ser limpio y claro. A causa del efecto del ventilador, el polvo se acumulará sobre y dentro de las aletas del condensador.

Preste atención especial para evitar causar daños a las aletas del condensador sobre las aspas del ventilador.

Si hay un filtro, elimínalo para limpieza y reemplazamiento. Sustituya el filtro si está deteriorado o es muy sucia para ser limpiado adecuadamente.

# HOSHIZAKI

## Snowflake GII

---



### ATENCIÓN

Al presionar la unidad condensadora atrás después de limpieza, por favor asegúrese de que la manguera del agua de goteo apunte a la bandeja de agua del goteo.

### JUNTAS DE PUERTA/CAJÓN

Una junta en buen estado evitará el ingreso de humedad y aire cálido al refrigerador, por lo que es vital para la operación buena y económica del refrigerador.

### CABLE DE ALIMENTACIÓN

Si el cable de alimentación está dañado; debe ser reemplazado por el fabricante, su agente de servicio o las personas calificadas en casos similares para evitar un riesgo

### PREPARACIÓN PARA PERÍODOS A LARGO PLAZO SIN USO

- Desactive la alimentación del aislador principal o elimine el enchufe del refrigerador de la toma.
- Remueva todos los productos alimenticios del refrigerador.
- Limpie el refrigerador Clean the cabinet (refiérase a la sección de limpieza).
- Elimine el polvo acumulado y suciedad del compresor.
- Para evitar cualquier olor desagradable, no cierre la puerta completamente.

### ATENCIÓN

Al desconectar el producto, por favor tenga en cuenta que el agua descongelado puede gotear del refrigerador sobre el suelo. Esto puede causar daño al suelo y crea condiciones resbaladizas.

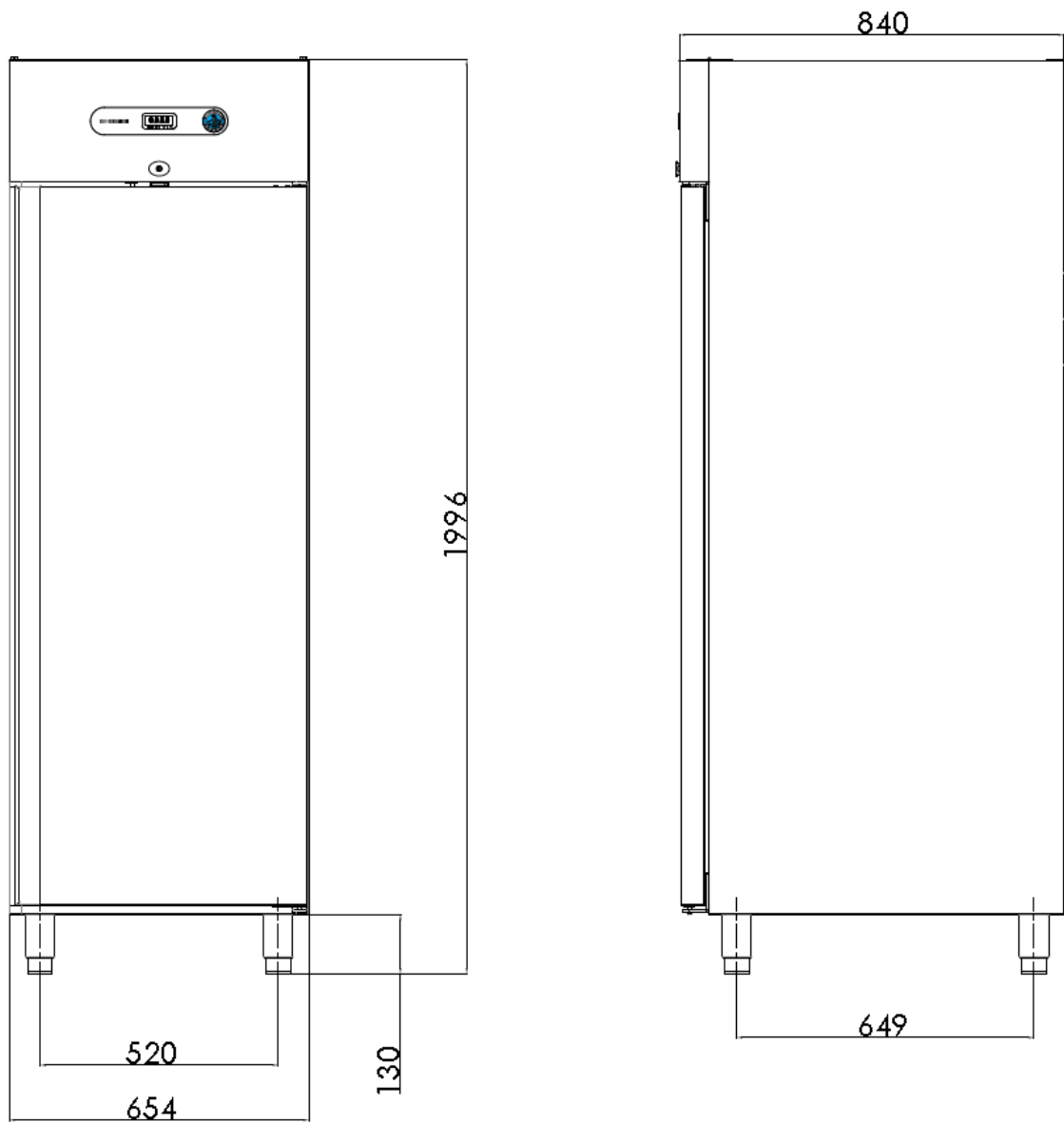
# HOSHIZAKI Snowflake GII



## IV. INFORMACIÓN TÉCNICA

### DIMENSIONES DE LOS PRODUCTOS

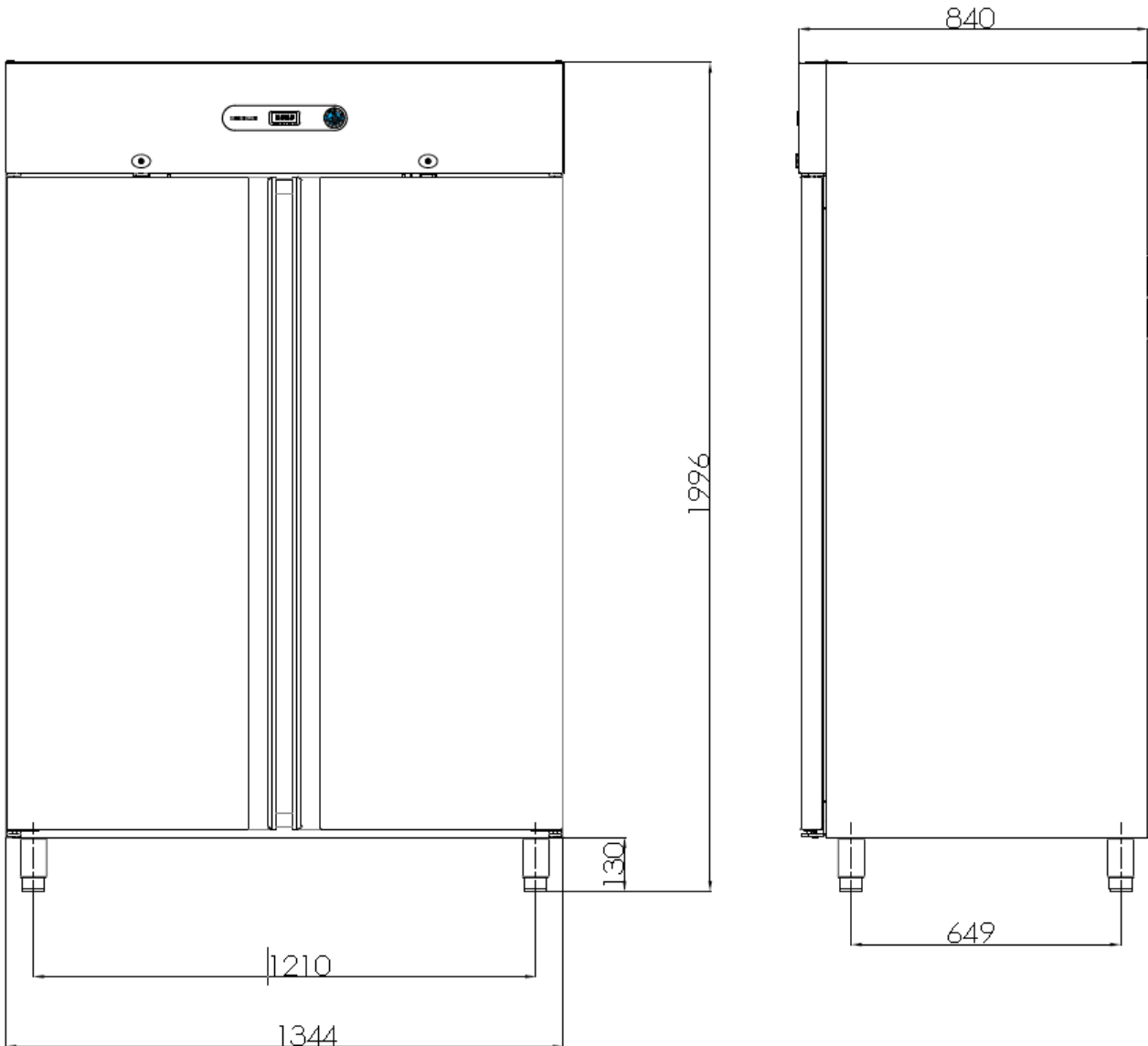
SUR-65DG & SUF-65DG



# HOSHIZAKI Snowflake GII



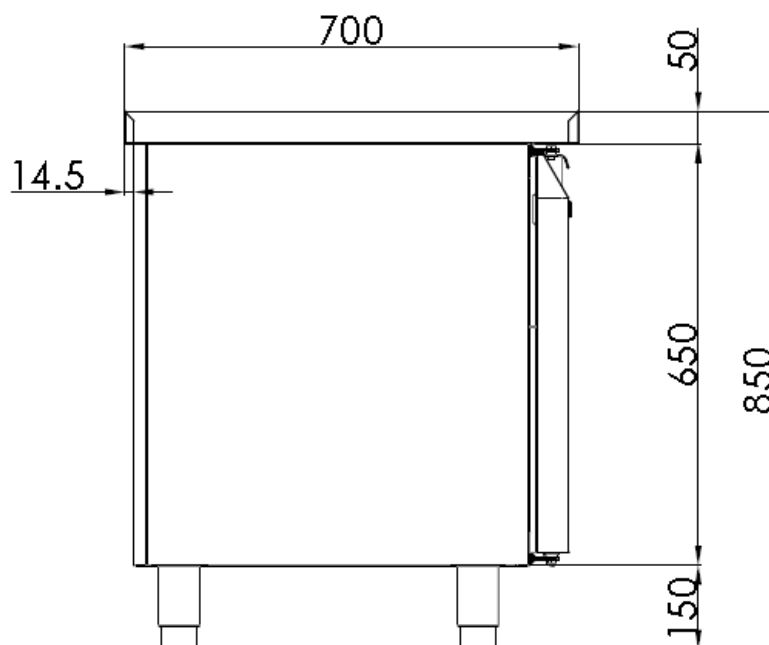
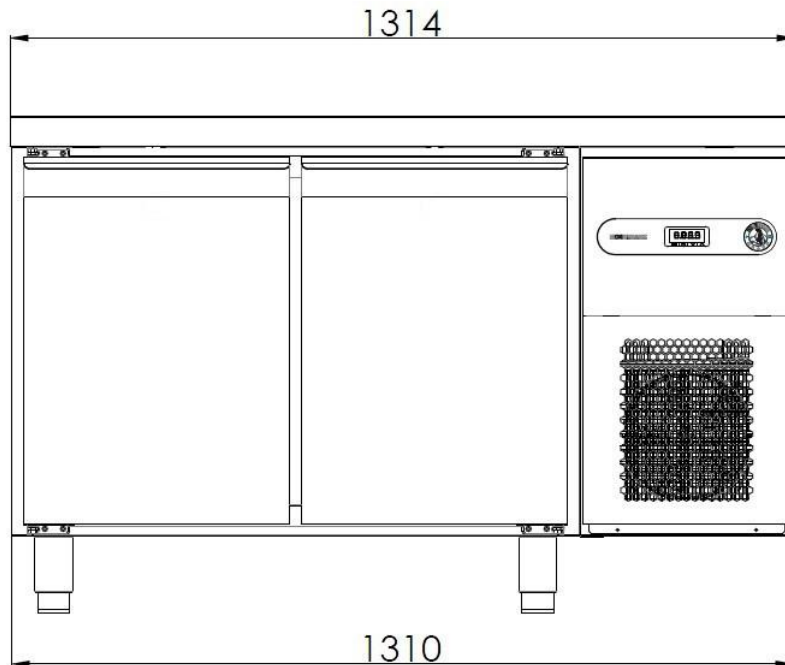
SUR-135DG & SUF-135DG & SUF-135DG



# HOSHIZAKI Snowflake GII



SCR-130DG

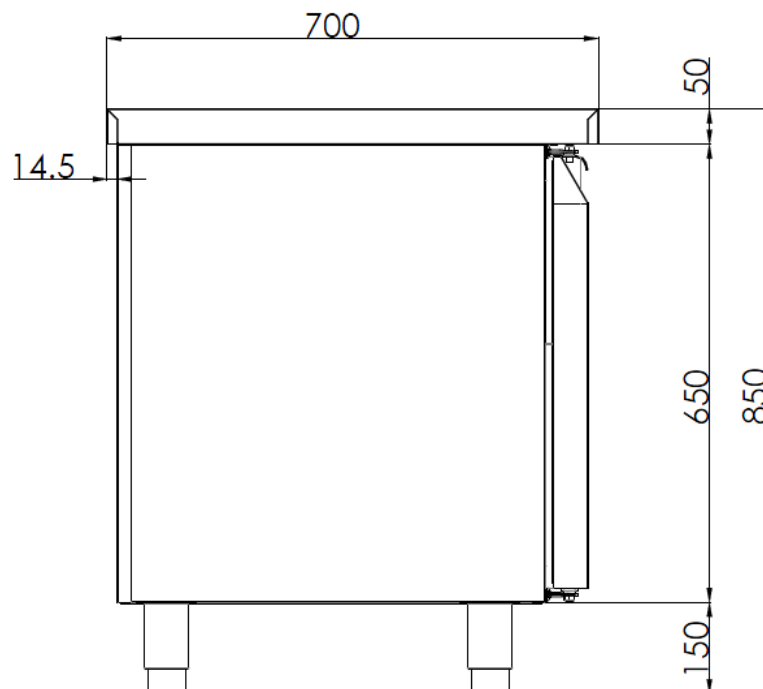
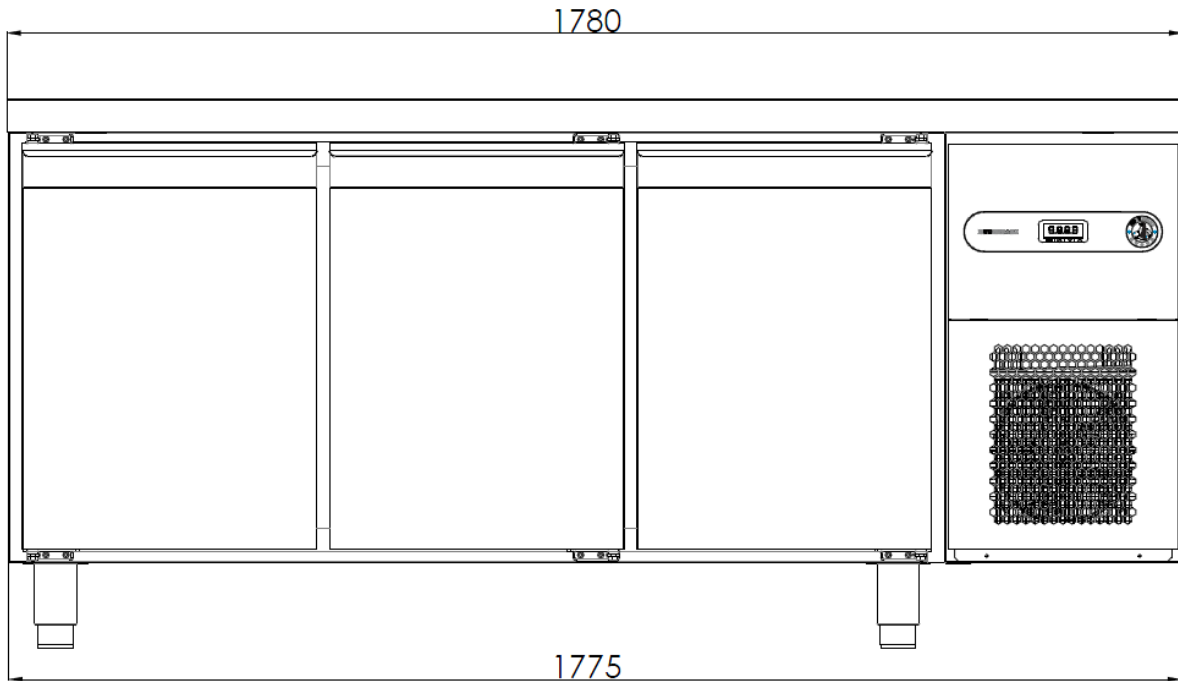




# HOSHIZAKI Snowflake GII



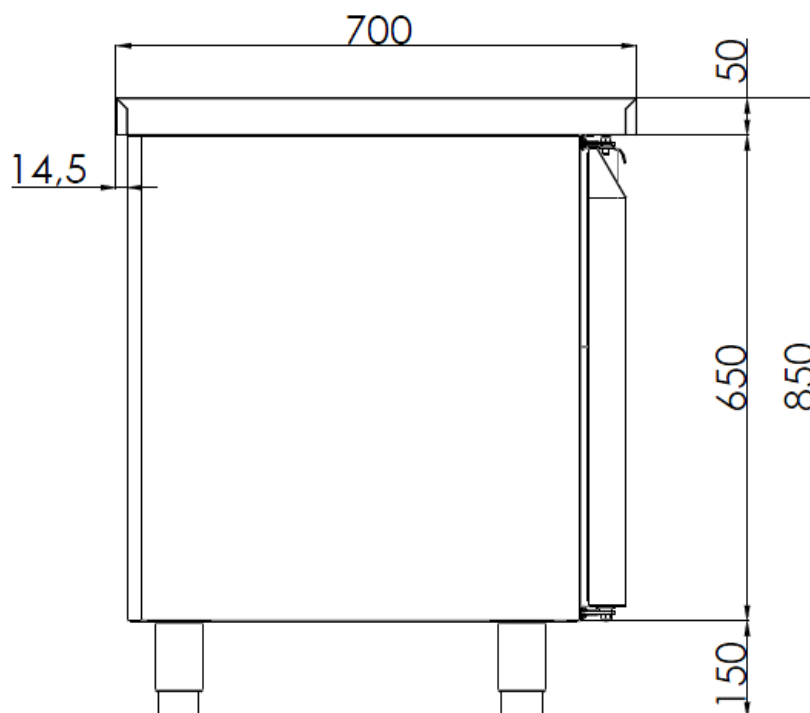
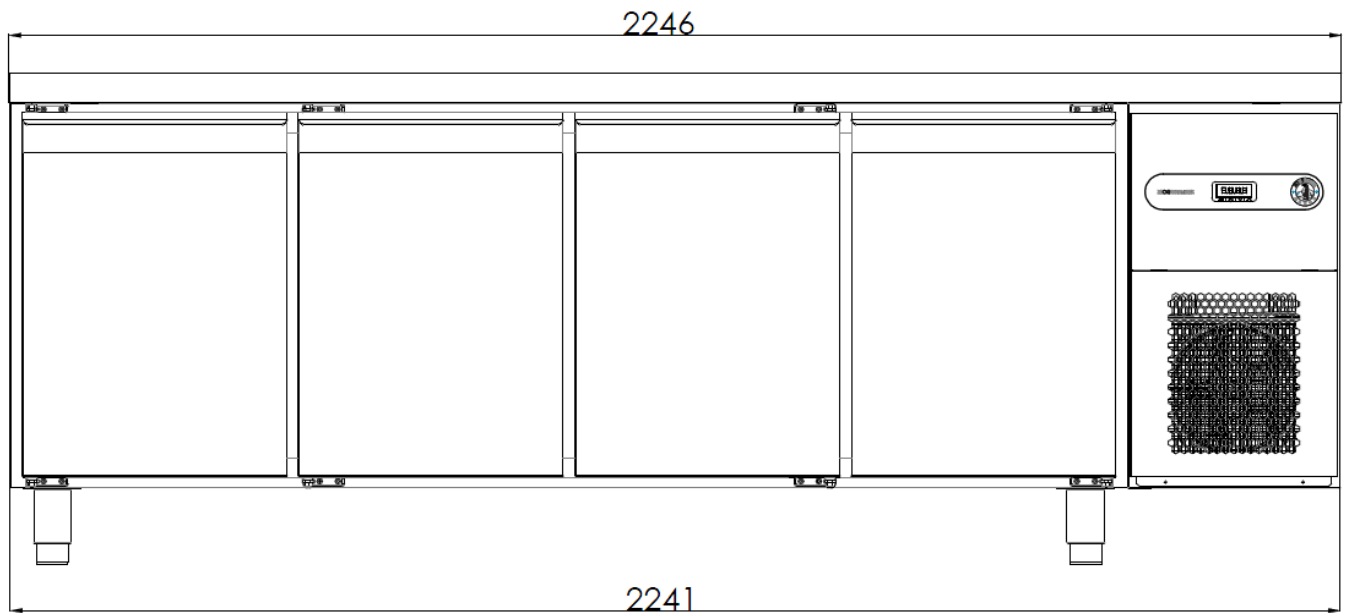
SCR-180DG



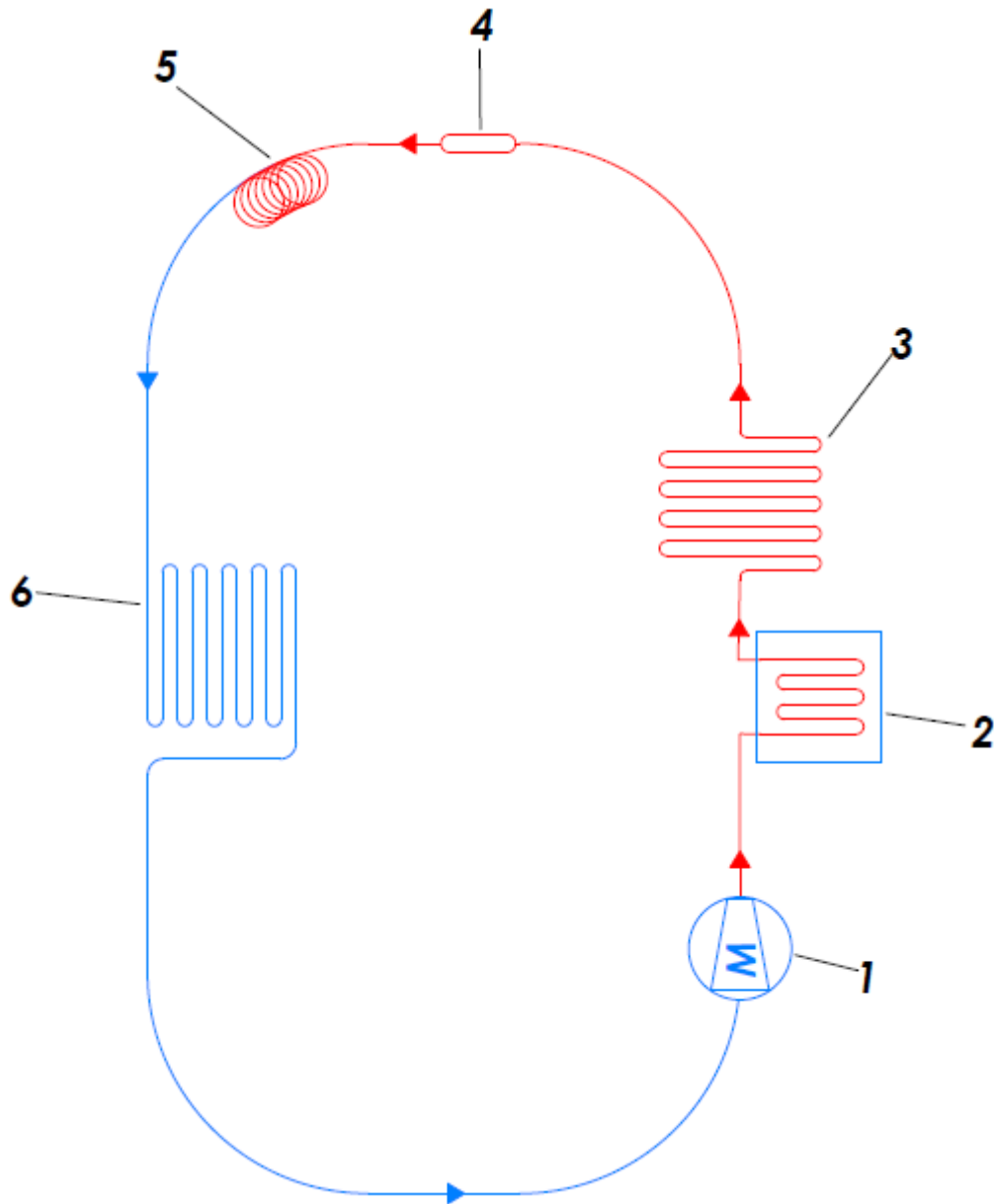
# HOSHIZAKI Snowflake GII



SCR-225DG

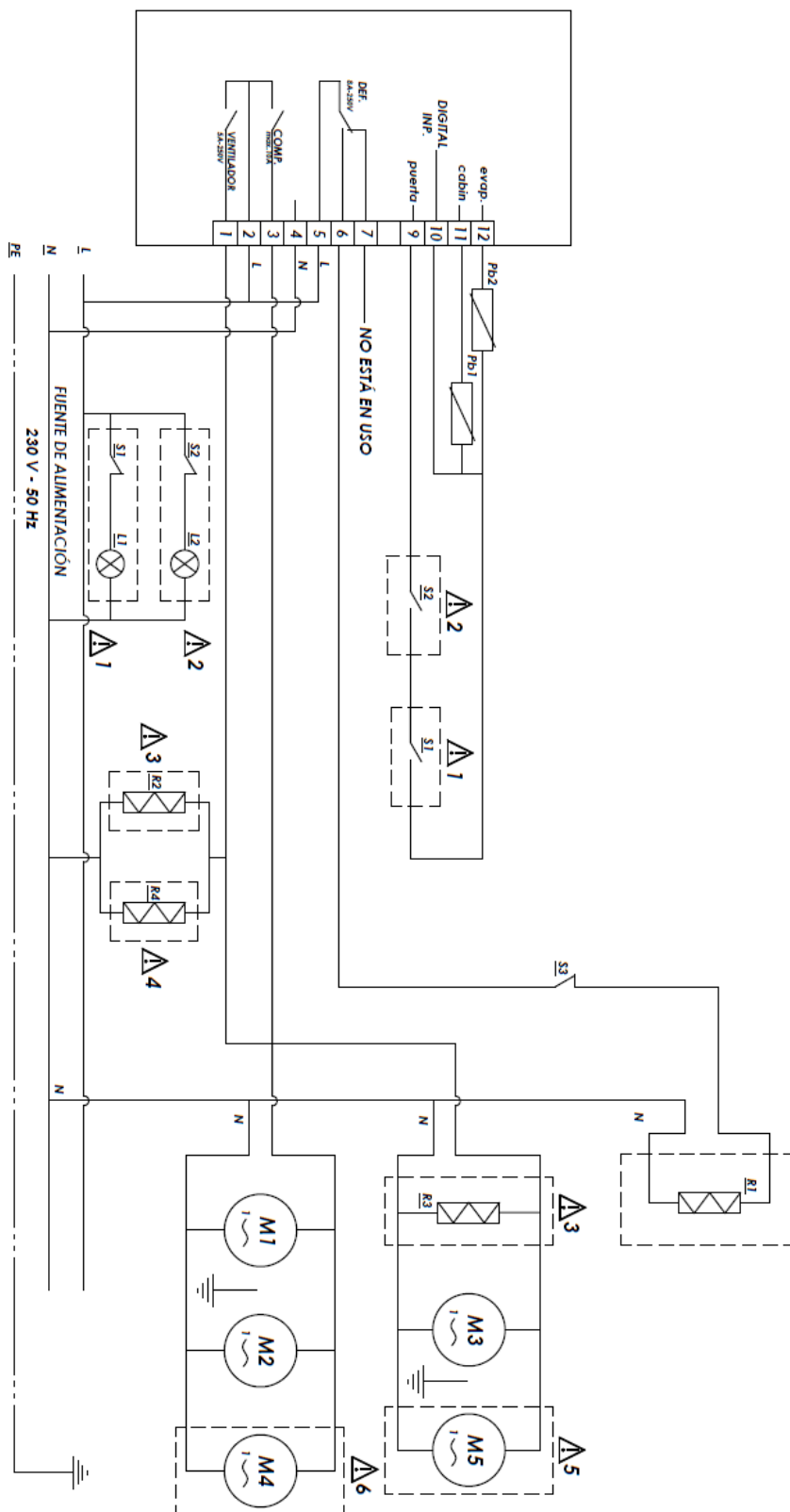


## Sistema de Refrigeración Estándar



- 1 Compresor
- 2 Bandeja colectora (2 piezas para congeladores de doble puerta)
- 3 Condensador
- 4 Secador
- 5 Tubo capilar
- 6 Evaporador

### Termostato Digital de Modelos EVCO EV3B23N7



#### DESCRIPCIONES

- △1 Solamente disponible en modelos de SUR/SUF 135
  - △2 No disponible en modelos de tipo confraro.
  - △3 Disponible sólo en SUF 65
  - △4 △5 △6 Disponible sólo en congelador de doble puerta
- 
- S1: Interruptor de la Puerta 1
  - S2: Interruptor de la Puerta 2
  - S3: Protector térmico
  - M1: Compresor
  - M2, M4: Ventilador del Condensador
  - M3, M5: Ventilador del Evaporador
  - Pb1: Sonda de la Cabina
  - Pb2: Sonda del Evaporador
- 
- R1: Calefactor Descongelado
  - R2, R4: Calefactor de línea de drenaje
  - R3: Calefactor con cable del bastidor de puerta
  - L1/L2: Luces LED

# HOSHIZAKI

## Snowflake GII



### V. DIAGNÓSTICO DE SERVICIOS

La tabla por abajo lista varios problemas que se puede encontrar. Algún código de alarma mostrado significa que un mal funcionamiento se haya ocurrido. Por favor corrija todas causas posibles antes de reiniciar el refrigerador. Las causas potenciales y las soluciones están listadas por abajo.

En caso de que un código de error persista, a pesar de que haya llevado a cabo los controles abajo-listados, por favor póngase en contacto con un técnico autorizado. Las características del mensaje de error deben ser determinadas. Los detalles del producto incluso el número de serie se puede encontrar en la placa del producto.

PROBLEMA	CAUSA POSIBLE	SOLUCIÓN	
El refrigerador no funciona.	No se proporciona alimentación al refrigerador.	Asegúrese de que el enchufe de alimentación y el cable funcionan sin fallos.	
El compresor para la operación raramente.	La temperatura ambiental es muy alta	Se necesita mejorar la ventilación	
	El condensador o el filtro del condensador está bloqueado	Controle y limpie el filtro del condensador periódicamente	
	Baja carga de refrigerante	Póngase en contacto con un técnico autorizado para la reparación de la fuga	
	Las juntas de la puerta no sellan adecuadamente	Póngase en contacto con un técnico autorizado para el reemplazamiento de sellos	
	El evaporador está helado		No ponga productos alimenticios calientes en el refrigerador
			No ponga productos alimenticios de alto contenido en agua dentro del refrigerador salvo que estén almacenadas en contenedores sellados
Inicie un ciclo de descongelación manual			
	Ventilador/es del evaporador es/son defectuoso/s	Póngase en contacto con un técnico autorizado para el reemplazamiento de el/los ventilador/es	
Agua desbordado desde la bandeja colectora del condensador	Colocación frecuente de productos alimenticios calientes en el refrigerador	No ponga productos alimenticios calientes en el refrigerador	
		Solamente ponga productos alimenticios de alto contenido en agua al refrigerador en contenedores sellados	
	Apertura frecuente de puerta o cajones	Verifique si las especificaciones del refrigerador confirma ser adecuado para uso actual	
La temperatura del refrigerador es alta	El condensador está bloqueado por suciedad y polvo	Controle y limpie el filtro del condensador periódicamente	
	El flujo del aire dentro del refrigerador está bloqueado	Elimine los productos alimenticios que bloquean el flujo del aire	
	El aire ambiental penetra en el refrigerador	Asegúrese de que la puerta esté cerrada	
		Controle contra daños a los sellos de puerta y cajones	
	Póngase en contacto con un técnico autorizado		
	El evaporador está helado	Inicie un ciclo de descongelación manual	



### VI. ELIMINACIÓN Y REEMPLAZO

---

#### REEMPLAZO DE LA BOMBILLA INTERIOR

- Desactive la alimentación del aislador principal o quite el enchufe del refrigerador de la toma.
- Abra la puerta.
- Remueva el tornillo que fija la cubierta y luego eleve la cubierta.
- Asegúrese de que la nueva bombilla sea de misma categoría que la anterior. La tensión y la potencia son mencionadas en la bombilla.
- Remueva y reemplace la bombilla.

#### DESECHO DEL REFRIGERADOR

- El gas refrigerante en el refrigerador puede ser identificado por la placa de información.
- El refrigerador es fabricado de materiales reciclables de acuerdo con los reglamentos de la UE. Por lo tanto, en fin de su vida útil, el refrigerador debe ser enviado al centro de reciclado para desecho.
- No recicle el refrigerador como si fuera metal o basura doméstica.
- No compacte el circuito de refrigeración de la instalación de enfriamiento.

#### IMPORTANTE

Adhiérase a los reglamentos y normativas locales durante el desecho del refrigerador.



# HOSHIZAKI

## Snowflake GII

Todos los derechos reservados

---

Hoshizaki se reserve el derecho de modificar cualquier aspecto o información en este manual.

### Detalles de contacto

#### **Sede Central**

**Hoshizaki Europe B.V.**

TEL: +31 20 691 8499

Sales@hoshizaki.nl

<http://hoshizaki-europe.com/>

#### **Sucursales**

**Hoshizaki UK – Reino Unido, Irlanda**

TEL: +44 845 456 0585

uksales@hoshizaki.co.uk

**Hoshizaki Deutschland - Alemania, Suiza, Austria**

TEL: +49 2154 92810, +49 5066 604612

info@hoshizaki.de

**Hoshizaki BENELUX – Países Bajos, Bélgica, Luxemburgo**

TEL: +31 20 565 0420, +31 54 645 4252

sales@hoshizaki.nl

**Hoshizaki France - Francia**

TEL: +33 1 48 63 93 80

info@hoshizaki.fr

**Hoshizaki Iberia - España, Portugal**

TEL: +34 93 478 09 52

info@hoshizaki.es

**Hoshizaki Middle East – Medio Oriente**

TEL: +971 48 876 612

sales@hoshizaki.ae

**Hoshizaki Danmark – Denmark, Norway, Sweden**

TEL: +45 8988 5350

salg@hoshizaki.dk

**Hoshizaki Europe B.V – Todos los demás países de Europa y África.**

TEL: +31 20 565 0420

sales@hoshizaki.nl

# HOSHIZAKI Snowflake GII

---





# HOSHIZAKI Snowflake GII



## EXPLOITATIE- ONDERHOUD- EN INSTALLATIEHANDLEIDING VOOR KOELKASTEN EN DIEPFRIEZERS



<b>I. ALGEMENE INFORMATIE</b>	<b>98</b>
<b>II. BEDENINGSINSTRUCTIES</b>	<b>102</b>
<b>III. ONDERHOUDSVOORSCHRIFTEN</b>	<b>108</b>
<b>IV. TECHNISCHE INFORMATIE</b>	<b>110</b>
<b>V. SERVICE DIAGNOSE</b>	<b>117</b>
<b>VI. VERWIJDERING EN VERVANGING</b>	<b>118</b>

**Contact Details:**

**HOSHIZAKI EUROPE B.V.**

**Address: Burgemeester Stramanweg 101 1101 AA Amsterdam, The Netherlands**

**Tel: +31 (0)20 691 8499**

**<http://hoshizaki-europe.com/>**


# HOSHIZAKI Snowflake GII



## I. ALGEMENE INFORMATIE

### PRODUCT DESCRIPTION LABEL

1 Product Nummer
2 Product Omschrijving
3 Model
4 Koeler (GWP)
5 CO2 Equivalent
6 IP Becherming / Protection
7 Klimaat Klasse
8 Productiedatum
9 Sterkstroom – Power – Stroom
10 Voltage – Frequentie
11 Verwarmingselement
12 Systeemdruk
13 Blaasmiddel
14 Serie Number

PRODUCT NUMBER	1
	
PRODUCT DESCRIPTION	2
MODEL	3
REFRIGERANT	4
CO2 EQUIVALENT	5
IP PROTECTION	6
CLIMATE CLASS	7
PRODUCTION DATE	8
POWER-CURRENT	9
VOLTAGE - FREQUENCY	10
HEATING ELEMENT	11
SYSTEM PRESSURE	12
BLOWING AGENT	13

S/N: 14



HOSHIZAKI EUROPE B.V. Burgemeester Stramanweg 101 1101 AA  
Amsterdam, The Netherlands



### HET DOEL VAN GEBRUIK

- Dit product is geschikt voor gebruik binnenshuis enkel en alleen voor het doel van het opslaan van voedingsmiddelen en dranken.
- De fabricant is niet verantwoordelijk voor eventuele schade die zou kunnen ontstaan als gevolg van het gebruik dat in strijd is met de richtlijnen welke in deze handleiding worden weergegeven.
- Tijdens het opslaan van voedingsmiddelen in dit cabinet, is het noodzakelijk om ervoor te zorgen dat voedingsmiddelen nooit in contact – aanraking komen met onderdelen van dit cabinet.
- Alle voedingsmiddelen – levensmiddelen dienen volledig te worden bedekt.
- Warme voedingsmiddelen of vloeistoffen dienen nooit in dit cabinet – kast te worden bewaard.
- Dranken opgeslagen in dozen of glazen flessen dienen niet bij temperaturen beneden de 0° C (Vriespunt) worden bewaard. Omdat drankblikjes en glazen flessen dan wegens uitzetting kunnen barsten. Alle containers met deksels dienen niet volledig te worden gevuld. Een klein hoeveelheid ruimte dient te worden vrijgehouden als een veiligheidsmaatregel tegen uitzetting.
- Deze container – kast is voorzien van een automatische self-ontdooiingsysteem. Het is ook mogelijk om het ontdooiingsproces handmatig uit te voeren. De handleiding over het ontdooiingsproces omvat niet het uitschakelen van de container – kast voor gedurende langere tijd. Maar dit kan toch worden uitgevoerd via de controller. In geen geval mag handgereedschap kracht worden gebruikt om deze ijskast te ontdooiën. Schade die zou kunnen voortvloeien uit een dergelijke actie is moeilijk te herstellen – te repareren.
- Gebruik geen mechanische of alternatieve middelen tijdens het ontdooiën.
- Alle elektrische of mechanische veranderingen welke U in deze ijskast zou mogen kunnen aanbrengen maakt de garantie ongeldig. Wijzigingen die door niet-geautoriseerd service personeel worden uitgevoerd en aangebrachte veranderingen die niet in deze handleiding worden omschreven zullen de garantie eveneens ongeldig maken. beschreven veranderingen uitgevoerd. De fabricant aanvaardt geen enkele aansprakelijkheid voor schade als gevolg van dergelijke wijzigingen.

# HOSHIZAKI Snowflake GII



## KLIMAAT KLASSE

Deze ijscabinet – ijskast is zodanig ontworpen om binnen specifieke omgevingstemperaturen en vochtigheidsgraden te opereren. Deze worden in het klimaatklassesysteem klasse nader uitgelegd. Deze niveaus dienen nooit te worden overschreden. De klimaatklasse voor dit product kunt U op het productbeschrijvingsetiket vinden.

Klimaatklasse	Omgevingstemperatuur en Vochtigheid
4	+30°C met 55% RH
5	+40°C met 40% RH

### DE EERSTE ERKENNING – ACCEPTATIE EN DEBEDIENING

Deze ijscabinet – ijskast is verpakt in beschermend verpakkingsmateriaal om te worden getransporteerd. Nadat het ijscabinet – de ijskast aan U is uitgeleverd, controleer het voor eventuele tijdens het transport opgetreden schade en dat het ijscabinet model inderdaad hetzelfde is als wat U hebt besteld.

#### BELANGRIJK

Alle hieronder omschreven handelingen dienen te voldaan aan alle lokale regels en veiligheidsvoorschriften. Neem alle huidige veiligheidsvoorschriften door alvorens het gebruik van dit product.

### TRANSPORT

Tijdens het optillen van het product door middel van een machine, dient U het hefvermogen van elke machine alvorens het uitvoeren van deze procedures te controleren.

#### BELANGRIJK

Indien U een heftruck gebruikt om het product te verplaatsen, zorgt U er dan voor dat de vorken in de juiste openingen worden ingebracht in de pallet.

Eenmaal in beweging, dient U aandacht te besteden worden aan de stabiliteit van het product. Indien het zwaartepunt niet centraal in het product is, kan het beginnen te kantelen. Bij het neerzetten van het product door middel van een vorkheftruck, zorgt U er dan voor dat dit langzaam en met zorg – aandacht geschiedt.

Mocht het nodig zijn om rechtopstaande ijscabinetten – ijskasten in een horizontale positie te vervoeren - verplaatsen, zorgt U er dan voor dat het ijscabinet voor ten minste 2 uur rechtop staat voordat het in werking wordt gesteld. Het wordt niet aangeraden om rechtop staande ijskasten in de horizontale positie te verplaatsen – te vervoeren. Eventuele schade die uit een dergelijke actie zou kunnen voortvloeien is niet onder de garantie te beschouwen.

### ATTENTIE

Aanbevelingen en waarschuwingen aan de buitenkant van de transportverpakking zijn ten behoeve van de eindgebruiker. Daarom dienen de onderstaande aanbevelingen en waarschuwingen in acht te worden genomen:

# HOSHIZAKI

## Snowflake GII



- Draag het product zorgvuldig.
- Bewaar het product op een droge plaats.
- Gebruik de bovenzijde van het ijscabinet niet voor opslagdoeleinden. HET OPENEN VAN DE VERPAKKING
- Verwijder het karton en de andere verpakkingsmaterialen
- Til het ijscabinet – ijskast om het los te koppelen en van de pallet te verwijderen.
- Plaats het ijscabinet – ijskast op de gewenste plaats op zijn eigen voetstukken.
- Controleer het ijscabinet – ijskast of er zichtbare schade bestaat.
- De verpakkingsmaterialen kunnen volgens de plaatselijke recycling richtlijnen worden gerecycled.
- Controleer of het product ijscabinet – ijskast en het serienummer overeenkomen met de transport documenten.

### Rechtop staande ijscabinetten – ijskasten

Handelsmerk			HOSHIZAKI			
Model Naam			SUR-65DG	SUR-135DG	SUF-65DG	SUF-135DG
De Gebruiksdoeleinden			Opslag	Opslag	Opslag	Opslag
Gekoeld gebruikstemp.			X	X		
Bevroren gebruikstemp.					X	X
Multi gebruik ijscabinet						
Verticale ijscabinet			X	X	X	X
Tegengesteld ijscabinet						
<u>Parameter</u>	<u>Symbool</u>	<u>Afdeling</u>				
Energie Efficiëntie Klasse	EEC	-	D	D	D	E
Energie Efficiëntie Index	EEL	-	74.96	74.69	74.57	77.54
24 Uur Energie Verbruik	E24h	kWh	2.61	3.97	7.01	11.50
Jaarlijks Energie Verbruik	AEC	kWh	952.65	1449.05	2558.65	4198.00
Net Volume voor Afdeling 1	Vn or	liter	402.8	405.2	397.6	400.0
Net Volume voor Afdeling 2	Vn2	liter	-	405.2	-	400.0
Net Volume voor Afdeling 3	Vn3	liter	-	-	-	-
Net Volume voor Afdeling 4	Vn4	liter	-	-	-	-
Samlet netto volumen	VnT	liter	402.8	810.3	397.6	800.0
Klimaatklasse	CC		5	5	5	4
Koeler			R290	R290	R290	R290
Lading		kg	0.068	0.104	0.106	0.142
GWP			3	3	3	3
CO2 Equivalent		t. CO2	0.204	0.312	0.318	0.426
Heavy-duty: Dit apparaat is geschikt om bij omgevingstemperaturen van 40°C te worden gebruikt.			X	X	X	
Contact Details	HOSHIZAKI EUROPE B.V.					
	Burgemeester Stramanweg 101 1101 AA Amsterdam, The Netherlands Tel.: +31 (0)20 691 8499 <a href="http://hoshizaki.europe.com/">http://hoshizaki.europe.com/</a>					

# HOSHIZAKI

## Snowflake GII



### Gekoelde Counters – Tellers

Handelsmerk			Hoshizaki								
Model Naam			SCR-130DG			SCR-180DG			SCR-225DG		
			LR	22	32	LRR	222	332	LLRR	2222	3332
De Gebruiksdoeleinden			Opslag-(ruimte)			Opslag-(ruimte)			Opslag-(ruimte)		
Gekoeld gebruikstemp.			X	X	X	X	X	X	X	X	X
Bevroren gebruikstemp.											
Multi gebruik ijscabinet											
Verticale ijscabinet											
Tegengesteld ijscabinet			X	X	X	X	X	X	X	X	X
Parameter	Symbol	Afdeling									
Energie Efficiëntie Klasse	EEC		C	C	C	C	C	C	C	D	D
Energie Efficiëntie Index	EEl		40.63	36.21	36.93	37.89	43.39	45.00	43.54	60.06	63.23
24 Uur Energie Verbruik	E24h	kWh	2.48	2.10	2.10	2.54	2.71	2.71	3.18	4.02	4.02
Jaarlijks Energie Verbruik	AEC	kWh	905.20	766.5	766.5	927.10	989.15	989.15	1160.70	1467.30	1467.30
Net Volume voor Afdeling 1	Vn1	liter	85.7	63.9	47.9	85.7	63.9	47.9	85.7	63.9	47.9
Net Volume voor Afdeling 2	Vn2	liter	85.7	63.9	63.9	85.7	63.9	47.9	85.7	63.9	47.9
Net Volume voor Afdeling 3	Vn3	liter				85.7	63.9	63.9	85.7	63.9	47.9
Net Volume voor Afdeling 4	Vn4	liter							85.7	63.9	63.9
Samlet netto volumen	VnT	liter	171.4	127.8	111.8	257.1	191.7	159.7	342.8	255.6	207.6
Klimaatklasse	CC		5			5	4	4	5	4	4
Koeler			R290			R290			R290		
Lading		kg	0.055			0.079			0.095		
GWP			3			3			3		
CO2 Equivalent		t. CO2	0.165			0.237			0.285		
Heavy-duty: Dit apparaat is geschikt om bij omgevingstemperaturen van 40°C te worden gebruikt.			X	X	X	X			X		
Contact Details			HOSHIZAKI EUROPE B.V.								
			Address: Burgemeester Stramanweg 101 1101 AA Amsterdam, The Netherlands								
			Tel.: +31 (0)20 691 8499 <a href="http://hoshizaki.europe.com/">http://hoshizaki.europe.com/</a>								



# HOSHIZAKI

## Snowflake GI

### II. GEBRUIKSAANWIJZING

---

#### ELECTRICITEIT

Alvorend het product op het electriciteits – stroomnetwerk aan te sluiten, controleer of de elektrische spanning – voeding op het productbeschrijvingsetiket overeenkomt met het lokale netwerk elektrische voeding.

Het productbeschrijvingsetiket met de gespecificeerde elektrische spanning – voeding vindt U aan de binnenzijde van het ijscabi net – de ijskast, bovenaan de linkerzijde.

De installatie van het product mag alleen worden uitgevoerd door gekwalificeerd en geschoold personeel volgens de in deze handleiding vermelde specificaties.

Electrische veiligheid van het ijscabinet is alleen voorzien als de elektrische aarding in overeenstemming is met de huidige lokale wetgeving – regelgeving.

Electrische aarding van het product is altijd vereist. De fabrikant aanvaardt geen enkele aansprakelijkheid voor eventuele schade als gevolg van onjuiste elektrische aarding. Houdt U zich aan alle eisen voor electriciteit en de lokale elektrische reglementen. De elektrische stekkers en stopcontacten van het product dienen de juiste elektrische aardingsverbinding te hebben. Raadpleeg daarvoor indien het nodig blijkt een gespecialiseerde en erkende elektricien.

#### ALGEMENE CONTROLES ALVORENS GEBRUIK

Zorgt U ervoor dat het ijscabinet – de ijskast op een vlakke ondergrond en rechtop staat. Indien het nodig blijkt, kunt U dit doen door middel van het verstellen van de verstelbare poten aan de onderzijde. Alle verstelbare potern dienen in aanraking te zijn met de ondergrond. Dit is noodzakelijk voor de goede werking van het ijscabinetdeur – de ijskastdeur.

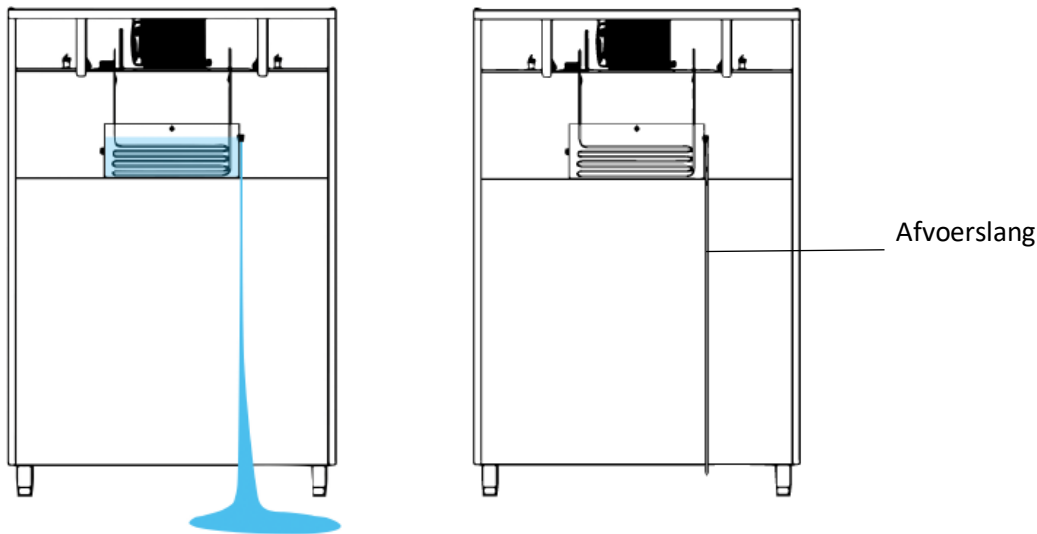
Plaats het ijscabinet – de ijskast niet naast en in de buurt van warmte genererende apparaten zoals ovens, grills en friteuses. Niet blootstellen aan direct zonlicht. Warmte die kan worden bestraald door muren – wanden of vloeren dienen met de nodige isolatiematerialen te worden geïsoleerd. Het ijscabinet – de ijskast dient op een zo ver mogelijke afstand van een warmtebron te worden geplaatst.

Hvis kabinettet er placeret igen, tillades tre timer før genstart. Plastbeskyttelse eller tape skal fjernes fra yderfladerne.

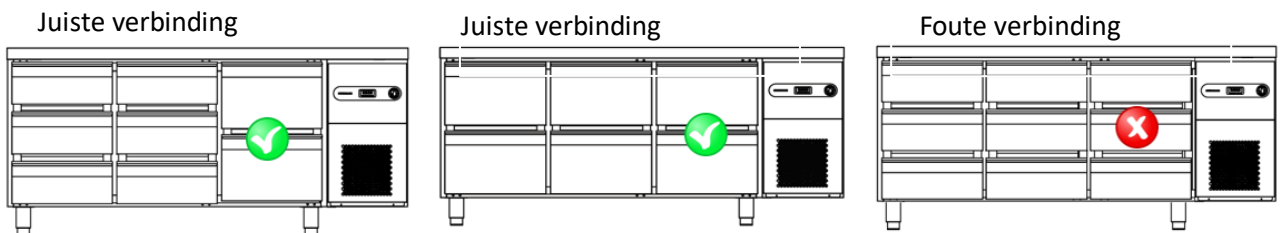
Zorg ervoor dat de kast zo geplaatst is zodat er voldoende lucht naar het koelcircuit en vanuit het koelcircuit en rond de oppervlakken van de kast kan stromen. Laat minstens 500 mm vrije ruimte boven de kast.

Blokkeer geen ventilatieopeningen.

# HOSHIZAKI Snowflake GII



I tilfælde af vandoverløb fra geninddampningsbakken på bagsiden af et opretstående kabinet skal brugeren tilslutte en afløbsslange (6 mm i diameter) til bakken. Slangen skal føre til gulv / afløb i gulvet. Er is een praktische aansluiting op de afvoerbak waarmee de gebruiker de afvoerslang kan verbinden.



Het is mogelijk om bij bepaalde SCR-modellen de deur/lade verbinding te veranderen. Echter, kan bij een laden set met 3 stukken, de 1<sup>ste</sup> en 3<sup>de</sup> laden NOOIT naast een composer vak geplaatst worden. Neem contact op met uw leverancier voor meer informatie.

## CONTROLE VAN DEFROST WATER

Staande cabins zijn gebouwd conform er dagelijks gemiddeld 72 deuropeningen per dag volgens EN16825. Indien het gebruik van de deur meer dan dit aantal is, moeten de afvoerpijpen verbonden worden aan een externe uitvoer.

## ELECTRISCHE CONTROLES ALVORENS HET PRODUCT IN GEBRUIK TE NEMEN

- Controleer of de elektrische netspanning en de frequentie voldoen aan de informatieve welke productomschrijvingsetiket is weergegeven.
- Het ijscabinet – de ijskast is aangesloten oop een elektrische stopcontact met een zekering van 13-16 Ampère als seriële verbinding – aansluiting.
- Schakel de hoofdzekering uit welke is aangesloten op de stroomkabel.
- Controleer of de stekker van de het ijscabinet – de ijskast geschikt is voor gebruik met de beschikbare stopcontact en dat deze in elkaar passen.



# HOSHIZAKI

## Snowflake GII

### ATEX 2014/34/EU Vereisten:

- 1- De fabrikant en de geautoriseerde technische dienst aanvaarden geen verantwoordelijkheid in het geval van verliezen en gevaren die kunnen voortvloeien uit het feit dat de infrastructuur van het gebruiksgebied niet geschikt is.
- 2- De ventilatiesnelheid van de omgeving van het product mag niet lager zijn dan 0,3 m / sec.
- 3- De afzuigcapaciteit moet een capaciteit hebben die de omgevingslucht vijf keer per uur kan veranderen. Het te installeren ventilatiesysteem moet in overeenstemming zijn met de ATEX 2014/34 / EU-normen.
- 4- In het geval van gaslek in de omgeving, moet de waarschuwingssamenstelling en het apparaatontstekingsmechanisme op maximaal 20% van de LEL (lagere explosiegrenswaarde) van het gas op het systeem worden aangesloten.
- 5- De omgevingsgasdetectoren moeten geïnstalleerd worden. Gasdetectoren moeten geïnstalleerd worden waar LPG en aardgas te detecteren nodig is.
- 6- De fabrikant en verkoper zijn niet verantwoordelijk voor gevaarlijke situaties en schade die kan optreden als gevolg van interventies en wijzigingen die zijn uitgevoerd door anderen dan bevoegd servicepersoneel die een training op ATEX 2014/34 / EU hebben gevolgd. In dit geval wordt het ATEX-certificaat als ongeldig beschouwd.
- 7- In het geval van gaslekage of waarschuwing van gasdetectoren, moet de energie van de koeler afgesloten worden, zodat het elektrische systeem uitgerust moet worden met een systeem dat de elektriciteit van de koeler afsnijdt in het geval van gaslekage.

### HET EERSTE GEBRUIK EN DE EERSTE CONTROLES

Nadat de hier bovenvermelde controles zijn uitgevoerd is het nu mogelijk om het ijscabinet – de ijskast op te starten.

U kunt het ijscabinet – de ijskast door middel van de AAN/UIT schakelaars bedienen.

Nadat het ijscabinet – de ijskast is ingeschakeld, zal de compressor beginnen te lopen. De compressor zal lopen totdat de in de fabriek vooraf ingestelde temperatuur is bereikt. Voedingsmiddelen dienen niet in de het ijscabinet – de ijskast te worden geplaatst voordat de ingestelde temperatuur is aangepast om de voedingsmiddelen te koelen.

Nieuwe temperatuurinstelling kunnen via de controller worden verricht zoals dat in deze handleiding wordt omschreven.

### BELANGRIJK

- Laat het product afkoelen tot de ingestelde temperatuur voordat U voedingsmiddelen begint te plaatsen.
- Overschrijdt U nooit het maximale ladingsvermogen. Het maximum draagvermogen van de draagroosters is 40 kg gelijkmatige belasting – gewicht voor elke rooster – plank in rechtop staande ijskasten en 20 kg voor de roosters en planen van tegengestelde verticale ijskasten.
- Raadpleeg: "Algemene Controles Alvorens het Gebruik" in deze handleiding voor informatie over de hoeveelheid ruimte welke nodig is voor een goede luchtventilatie rond het product.
- Bewaar geen explosieve stoffen zoals spuitbussen die Aerosol en brandbare ontvlambare materialen bevatten in de ijskast.

### WAARSCHUWING:

- Blokér ikke ventilationsåbninger på apparatet til enhver tid.



# HOSHIZAKI

## Snowflake GII



- Gebruik geen mechanische apparaten of andere middelen dan die aanbevolen door de fabrikant om het ontdooiproces te versnellen.
- Het koelmiddel niet beschadigen.

### BEWARINGSCONDITIES EN PRESTATIES

De correcte opslagvoorwaarden zijn niet alleen van cruciaal belang voor hygiëne en voedselveiligheid, maar zorgt ook nog eens voor het verbeteren van de kwaliteit van de dienstverlening en de vermindering van het energieverbruik. De beste resultaten kunnen worden bereikt als de volgende tips en richtlijnen in acht worden genomen: Bewaar alle voedingsmiddelen op de roosters en de planken alleen en plaats etenswaren – voedingsmiddelen nooit op de vloer – bodem van de ijskast.

Voedingsmiddelen en etenswaren dienen in de ijskast altijd op een zodanige manier te worden geplaatst, zodat er voldoende ruimte over zal blijven dat er een goede luchtstroming ontstaat en zodat er ook voldoende ruimte overblijft tussen de items en de wanden van de ijskast. Indien dat nodig is kunt U de afstanden tussen de rooster en de planken dienovereenkomstig aanpassen.

### CONTROLE PANEEL



Op het controle – bedieningspaneel staan de volgende controles en functies:

1. Instellingstoets – knopje
  - Gebruik het om de waarden in te voeren en deze in te stellen
2. AAN/UIT Knop
  - Druk deze toets – knop voor gedurende 4 seconden om de ijskast aan en uit te schakelen
3. NAAR BENEDEN Toets – Knop
  - Gebruik deze toets – knop om in het menu naar beneden te scrollen of de waarde te veranderen of te reduceren
4. NAAR BOVEN TOETS – KNOP
  - Gebruik deze toets – knop om in het menu naar boven te scrollen of de waarde te veranderen of te vermeerderen
  - Houdt U deze toets – knop voor gedurende 4 seconden ingedrukt MANUAL DEFROSTING – HANDMATIGE ONTDOOING op te starten

### DE FUNCTIES VAN HET VOORPANEEL

Het voorpaneel kan worden vergrendeld en ontgrendeld.

#### Om de controles te vergrendelen:

- Zorg ervoor dat er geen procedure aan de gang is
- Verricht geen handelingen voor gedurende 30 seconden
- Op het display zult U dan: “LOC” voor gedurende 1 seconde zien en het toetsenbord zal dan automatisch worden vergrendeld.



# HOSHIZAKI

## Snowflake GII

### Om de controles van het toetsenbord te ontgrendelen:

- Raak een toets voor gedurende 1 seconde aan. Op het display ziet U dan: "UNL" voor gedurende 1 seconde.

### TEMPERATUUR INSTELLINGEN

1. Zorgt U ervoor dat het controle paneel – toetsenbord niet is vergrendeld en dat er geen handelingen aan de gang zijn .
2. Raak de SET Toets aan en de \* LED zal aan en uit gaan knipperen.
3. Verandert U de temperatuur instelling door middle van de UP – DOWN OMHOOG – OMLAAG Knopjes.
4. Raak de SET Toets voor gedurende 15 seconden. De \* LED zal stoppen en de controller zal de procedure beëindigen.
5. Om de temperatuur instellingsprocedure te verlaten voordat het compleet is.
  - a. Raakt U de ON/OFF Toets aan. Gemaakte veranderingen zullen niet worden opgeslagen.

### TEMPERATUUR DISPLAY (Geeft de temperatuur weer die door de sondes wordt overgeseind)

1. Zorgt U ervoor dat het Controle Paneel niet vergrendeld is en dat er geen procedures aan de gang zjn.
2. Druk dan op het DOWN – OMLAAG pijltje voor gedurende 4 seconden: De display zal dan naar de eerst beschikbare temperatuursonde aanwijzen.
3. Selecteer de correcte temperatuursonde door middle van de UP – DOWN pijltjes.
4. Druk dan op de SET INSTEL Toets.

Deze table toont de code aan voor elk van de temperatuurprobes .

Etiket	Weergegeven temperatuur
Pb1	De temperatuur van de ijscabinet – ijskast
Pb2	Verdamper temperatuur

Om deze procedure te beëindigen, druk de SET - INSTEL toets voor gedurend 60 seconden.  
Notitie: Indien de verdamper probe niet aanwezig is , zal de Pb2 Code niet worden weergegeven.

### TEMPERATUUR ALARM

Dit is een lijstje van de alarms die bij deze ijskast worden weergegeven:

CODE	ALARM TYPE	CRITISCHE WAARDE
AL	Lage temperatuur alarm	Er is een lage temperatuur gedurende deze alarm
AH	Hoge temperatuur alarm	Er is een hoge temperatuur gedurende deze alarm
Id	Open deur alarm	Maximum cabine temperatuur gedurende deze alarm

Alarm registraties kunnen alleen worden verwezenlijkt, indien de koelingskast is aangeschakeld.

Wanneer de redder – oorzaak van de alarm er niet meer is, zal de koelingskast weer normal gaan functioneren.

### TOEGANG TOT DE ALARM GESCHIEDENIS

1. Druk op het DOWN – OMLAAG Knopje voor gedurende 2 seconden om de eerste code weer



# HOSHIZAKI

## Snowflake GII

te geven.

2. Druk op het UP – OMHOOG Knopje en laat deze weer vrij en selecteer LS door middle van het DOWN Knopje in te drukken.
3. Druk op het SET – Insteel Knopje en laat deze weer vrij.: button: Dan zal een van de bovenstaande codes worden weergegeven.

Om een alarm te selecteren, druk op het UP – OMHOOG Knopjetot AH wordt weergegeven.

Om een alarm informative weer te geven, druk op het SET – INSTEL Knopje en laat deze kopje weer vrij. (De aan en uit knipperende HACCP LED stoppen –uitgaan).

### DISPLAY TEXT OP HET BEELDSCHERM EN HUN BETEKENIS

8.0	Critische waarden 8.0 °C/°F
Dur	De display geeft de alarm tijd weer
h01	1-Uur Alarm (Voortdurend.)
n15	1 Uur en 15 Minuten Alarm
AH	Geselecteerde Alarm

Om de display geschiedenis te verlaten, druk meerdere keren op het ON/STANDBY Knopje.

Om het process te stoppen / te verlaten, druk op de UP of DOWN – OMHOOG of OMLAAG Knopjes, totdat de display de koelingskasttemperatuur weergeeft of wacht voor gedurende 60 seconden zonder op een knopje te drukken.

Alternative Exit Methode: Druk op het ON/STANDBY Knopje en laat deze weer vrij. Indien er geen alarms zijn waargenomen en geregistreerd, zal de LS Code niet worden weergegeven.

### ERROR CODES

Code	Omschrijving
Pr1	Koelingskast Probe Error (Foutmelding)
Pr2	Evaporator (Verdamper) Probe Error (Foutmelding)

Deze Errors (Foutmeldingen) kunnen alleen door ervaren, gekwalificeerd en deskundig personeel worden gecorrigeerd.

### BEDIENINGS- / WERKINGS- / BEDRIJFSSTATUS

De mogelijke bedienings- / workings- / en bedrijfsstatussen worden hieronder weergegeven :

Status	Omschrijving
ON – AAN	De koelingskast wordt met electriciteit – stroom verzorgd en werkt
STANDBY	De koelingskast wordt met electriciteit – stroom verzorgd, maar is uitgeschakeld
OFF – UIT	De koelingskast wordt niet met electriciteit – stroom verzorgd, de stekker is niet met het stopcontact aangesloten of de hoofdschakelaar is uitgeschakeld

### BELANGRIJK

Verricht nooit onderhoud- of reparatiewerkzaamheden terwijl de koelingskast in de Stand By Modus zit. Alleen wanneer de elektrische stroomvoorzorging volledig van de koelingskast is geïsoleerd kunnen er werkzaamheden worden uitgevoerd.

# HOSHIZAKI

## Snowflake GII



### III. ONDERHOUDSVOORSCHRIFTEN / -INSTRUCTIES

Dit gedeelte is in het bijzonder bedoeld voor de eigenaar en gebruiker van het product. Het geeft informatie over het juiste gebruik, belangrijke en voor de maximalisering van de levensduur van het product.

Een paar eenvoudige stappen tijdens het gebruik kan de behoefte aan dure reparaties door service technici verminderen. Deze stappen hebben geen speciale technische kennis nodig.

#### **BELANGRIJK**

Voordat U met de reiniging en het onderhoud van het product begint, weet U er zeker van dat de elektrische stroomvoorziening is uitgeschakeld en dat het niet per ongeluk kan worden aangesloten door iemand anders.

#### **BELANGRIJK**

Was het product niet met water onder een hoge druk. Vermijd de mogelijkheid van spuiten in de elektrische onderdelen – componenten.

#### **SCHOONMAKEN**

- Het wordt aanbevolen om de binnenkant van de koelingskast periodiek te reinigen met desinfecterende detergents – schoonmaakmiddelen. Het inwendig reinigen van de koelingskast aan de binnenkant dient te worden uitgevoerd door middel van het gebruik van warm water en zeep.
- U dient alleen pH-neutrale of licht alkalische reinigingsmiddelen te gebruiken om het interieur en het exterieur van de koelingskast te reinigen, schoon te maken.
- Schade veroorzaakt door reinigings- / schoonmaakmiddelen met chemicaliën die de roestvrijstalen onderdelen kunnen beschadigen valt niet onder de garantie.
- Gebruik nooit metalen werktuigen, metalen sponsjes, schuurmiddelen, crèmes of poeders.
- Het is mogelijk om vuil te reinigen door middel van een vochtige doek.
- Houdt U de ventilatieroosters van de koelingskast te allen tijde schoon en helder.
- De planken zijn afneembaar, verwijderbaar voor een gemakkelijke toegang tot de reiniging.
- Zorgt U ervoor dat de planklopers en de planken diep en grondig worden gereinigd.

#### **BELANGRIJK**

Het product is vervaardigd uit roestvrij staal. Bij gebruik onder normale omstandigheden corrodeert roestvrij staal niet, maar de corrosie van roestvrij stalen onderdelen kan toch wel optreden indien er bijtende schoonmaakmiddelen worden gebruikt.

#### **ROUTINE ONDERHOUD**

##### **CONDENSOR**

Het is heel erg belangrijk dat de condensor in staat is om voor een maximale warmte-overdracht te zorgen. Daarom moet het oppervlak van de condensor te allen tijde schoon en helder blijven. Onder invloed van de ventilator, zal stof zich ophopen en verzamelen op en binnen de condensorlamellen. Het is voor U mogelijk om een stofzuiger (samen met een borstel) te gebruiken om de condensor te reinigen.

Schenk vooral uw aandacht om te voorkomen dat eventuele schade aan de condensor vinnen of de ventilatorbladen optreedt.



# HOSHIZAKI

## Snowflake GII

Indien er een filter is, verwijder dat filter om het schoon te maken en daarna te vervangen, verwisselen. Vervang, verwissel het filter indien het beschadigd of te vuil is om goed schoon te kunnen maken.

### **BELANGRIJK**

Bij het terugduwen van de condensor na reiniging – schoonmaak: Controleer of de druppelwaterslang altijd naar de opvangschaal is toegericht.

### DEUR/PAKKING/TREKKENDE AFDICHTING

Een pakking – afdichting welke in goede staat verkeert, zal het verhinderen dat de vochtigheid en de warme lucht in de koelingskast binnendringt. Daarom is dit heel erg belangrijk voor de goede en economische werking van de kast.

### ELECTRISCHE VOEDINGS- / SPANNINGSKABEL

Als de stroomkabel beschadigd is, moet het vervangen worden door de fabrikant, serviesdienst of door bevoegde personen om risico's te voorkomen.

### VOORBEREIDINGEN VOOR LANGDURIGE PERIODEN ZONDER GEBRUIK

- Schakel elektrische stroom uit bij de hoofdschakelaar of verwijder de stekker uit het stopcontact.
- Verwijder alle voedingsmiddelen – levensmiddelen uit de koelingskast.
- Reinig de behuizing en de koelingskast (Zie: Het Hoofdstuk over de reiniging ).
- Verwijder opgehoopt stof en vuil van de compressor.
- Doe de deur niet helemaal dicht, om onaangename geurtjes te voorkomen.

### **BELANGRIJK**

Houdt U er rekening mee dat tijdens het loskoppelen van de koelingskast en tijdens het ontdooien water op de vloer kan druppelen. Dit kan gladheid en schade aan de vloer veroorzaken

# HOSHIZAKI

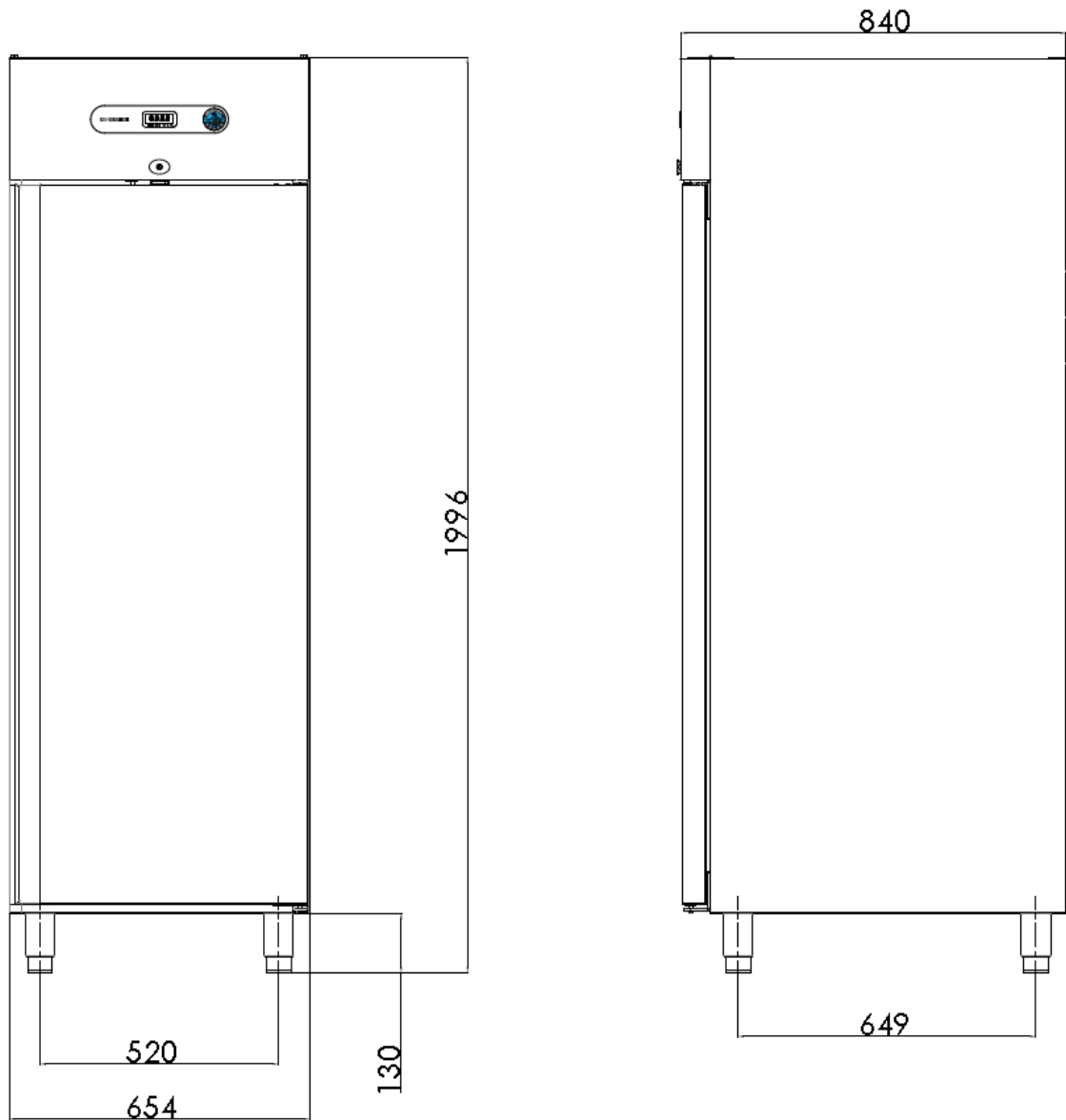
## Snowflake GII

### IV. TECHNISCHE INFORMATIE



DE AFMETINGEN VAN HET PRODUCT

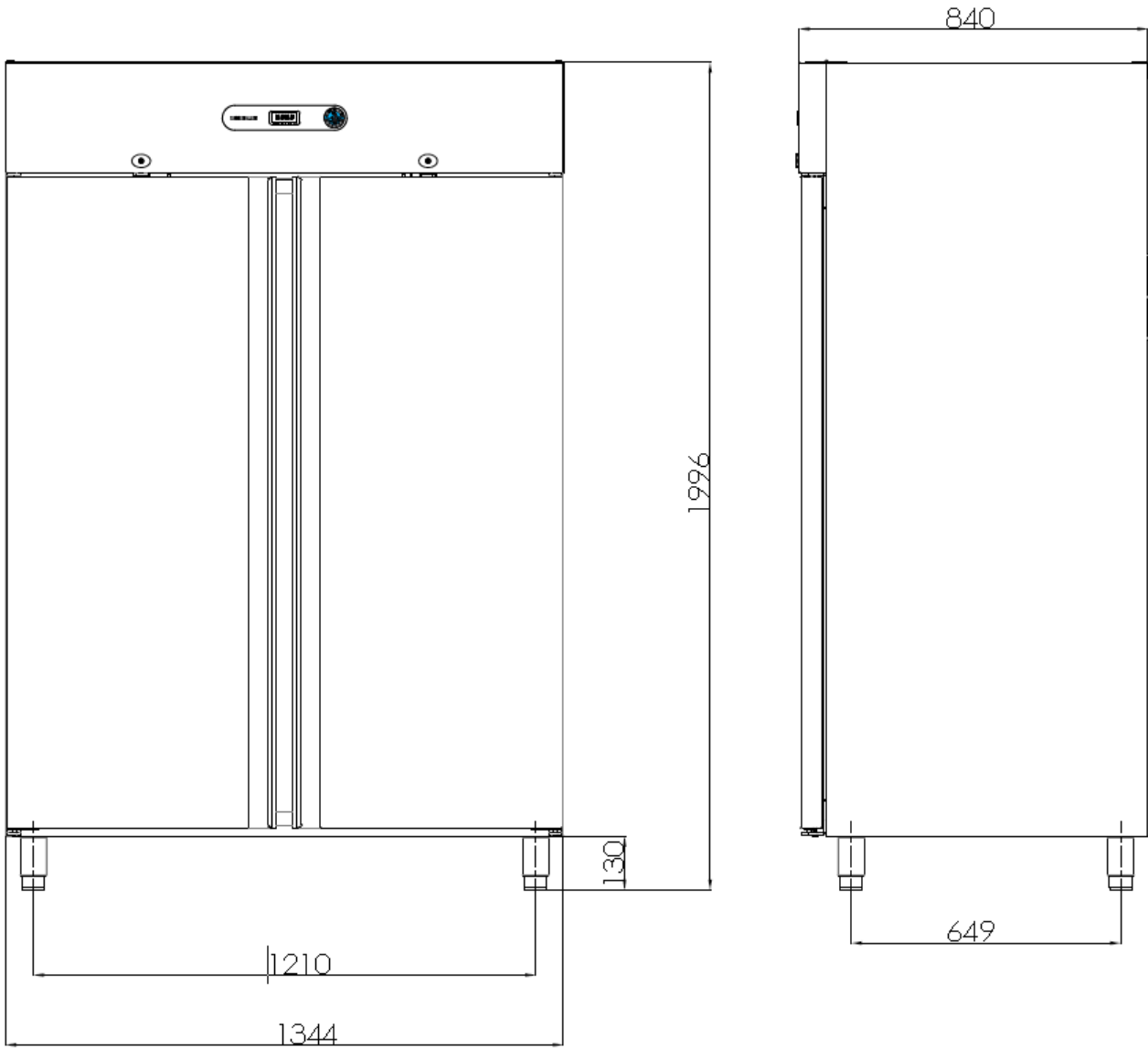
SUR-65DG & SUF-65DG



# HOSHIZAKI Snowflake GII



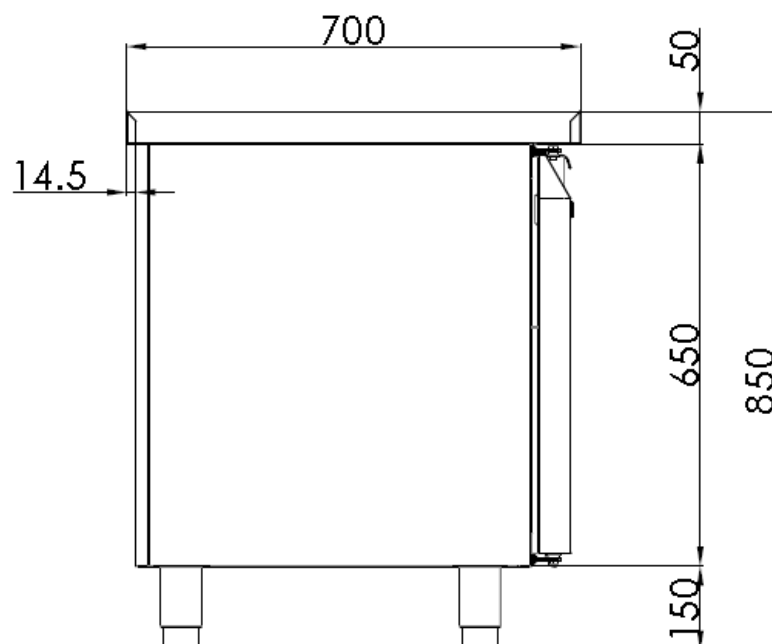
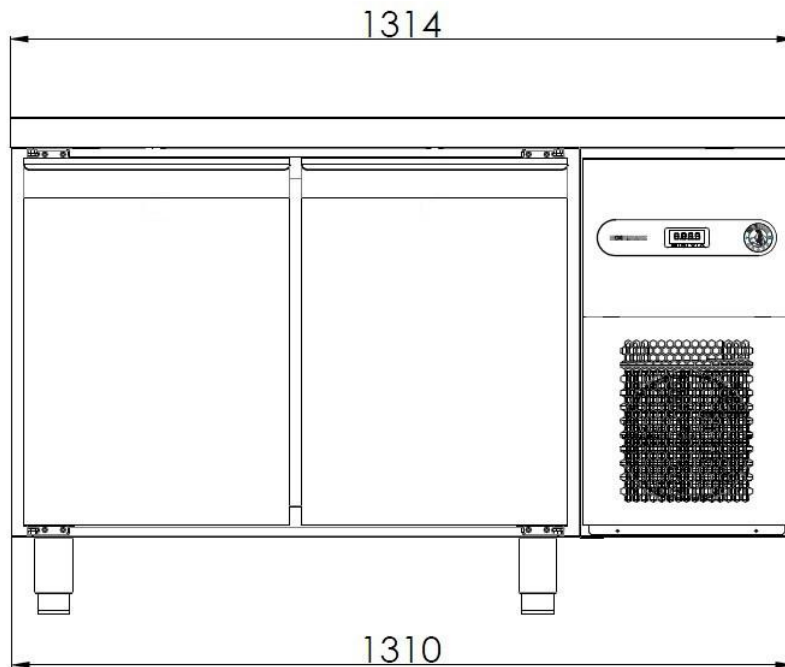
SUR-135DG & SUF-135DG & SUF-135DG



# HOSHIZAKI Snowflake GII



SCR-130DG

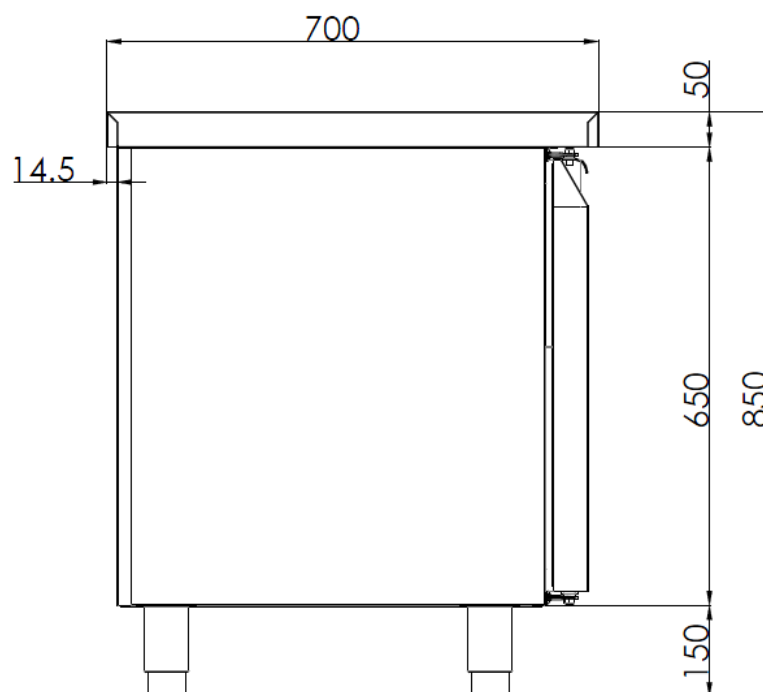
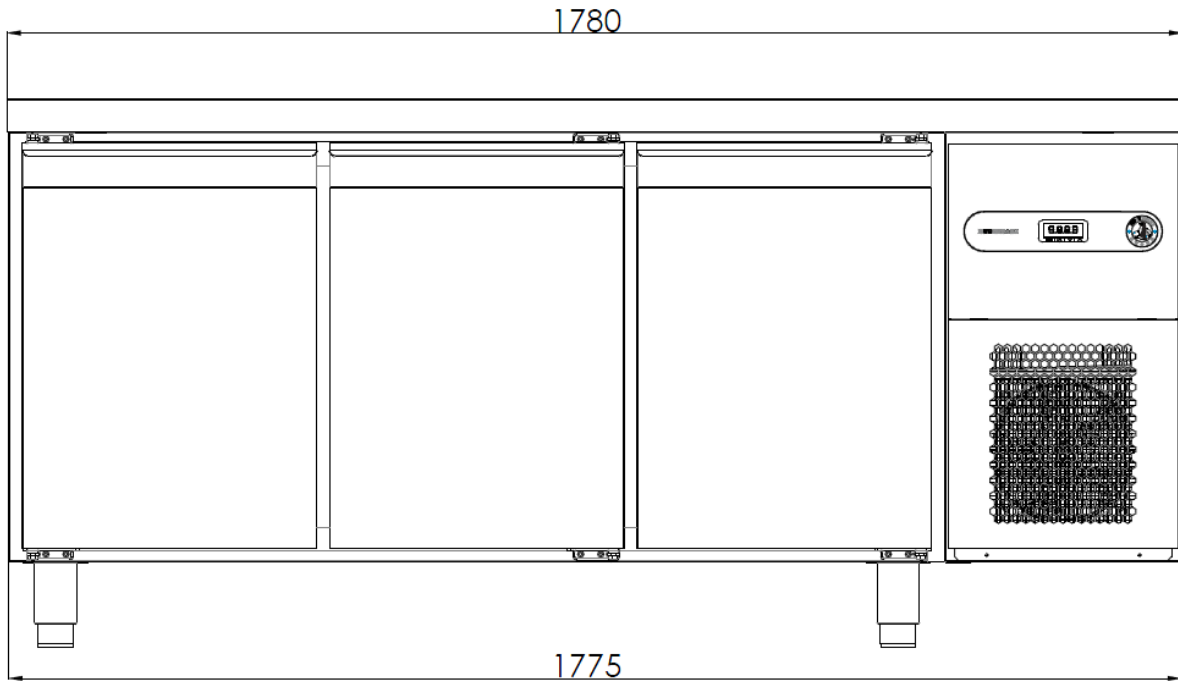




# HOSHIZAKI Snowflake GII



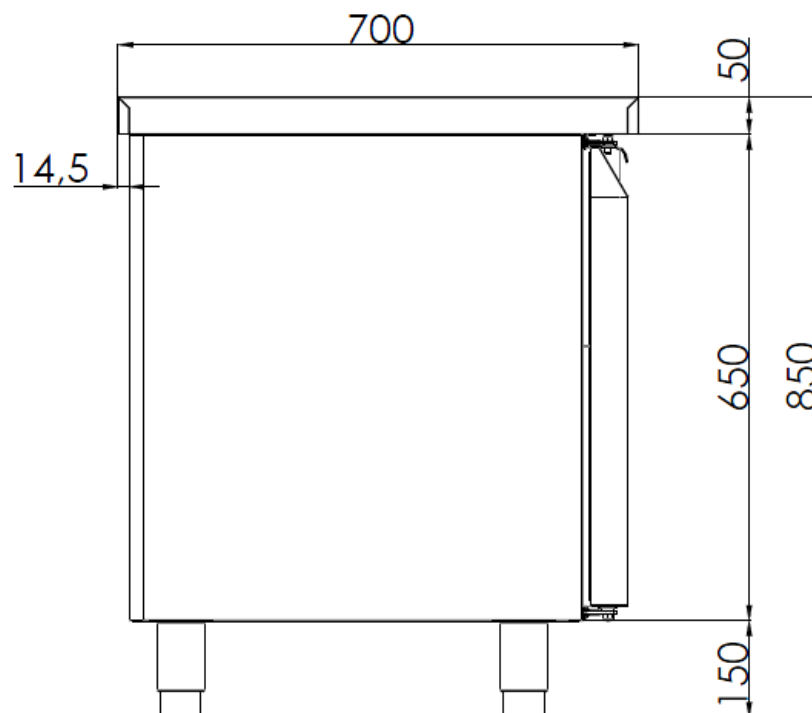
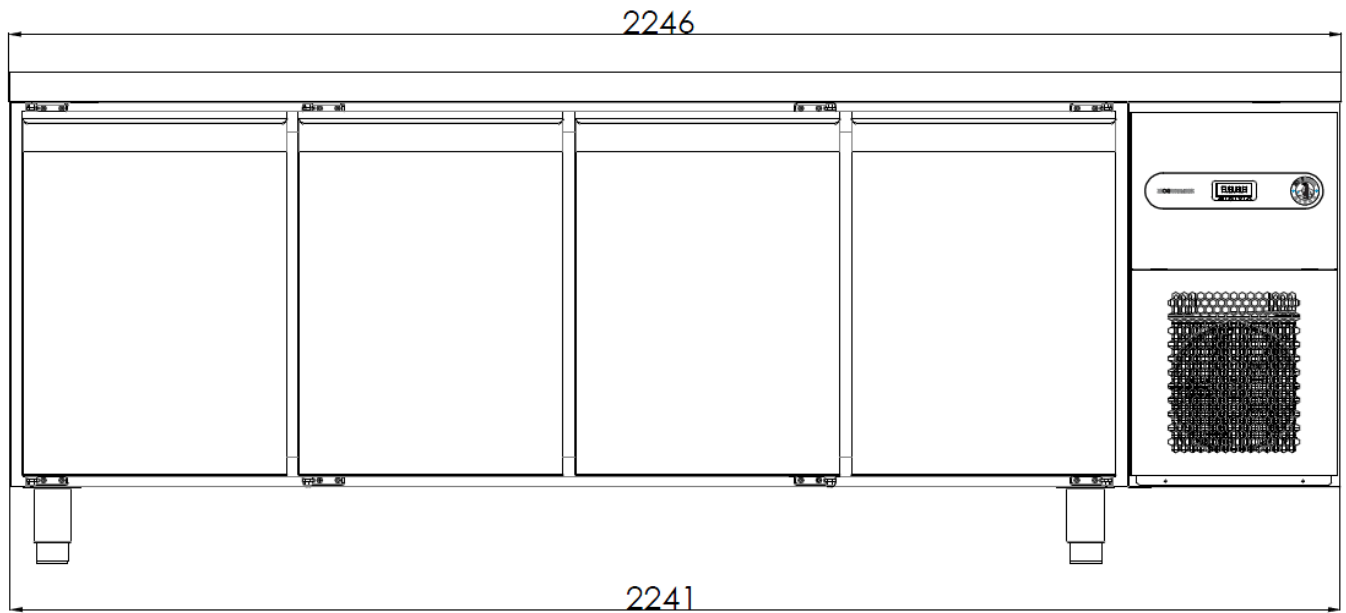
SCR-180DG



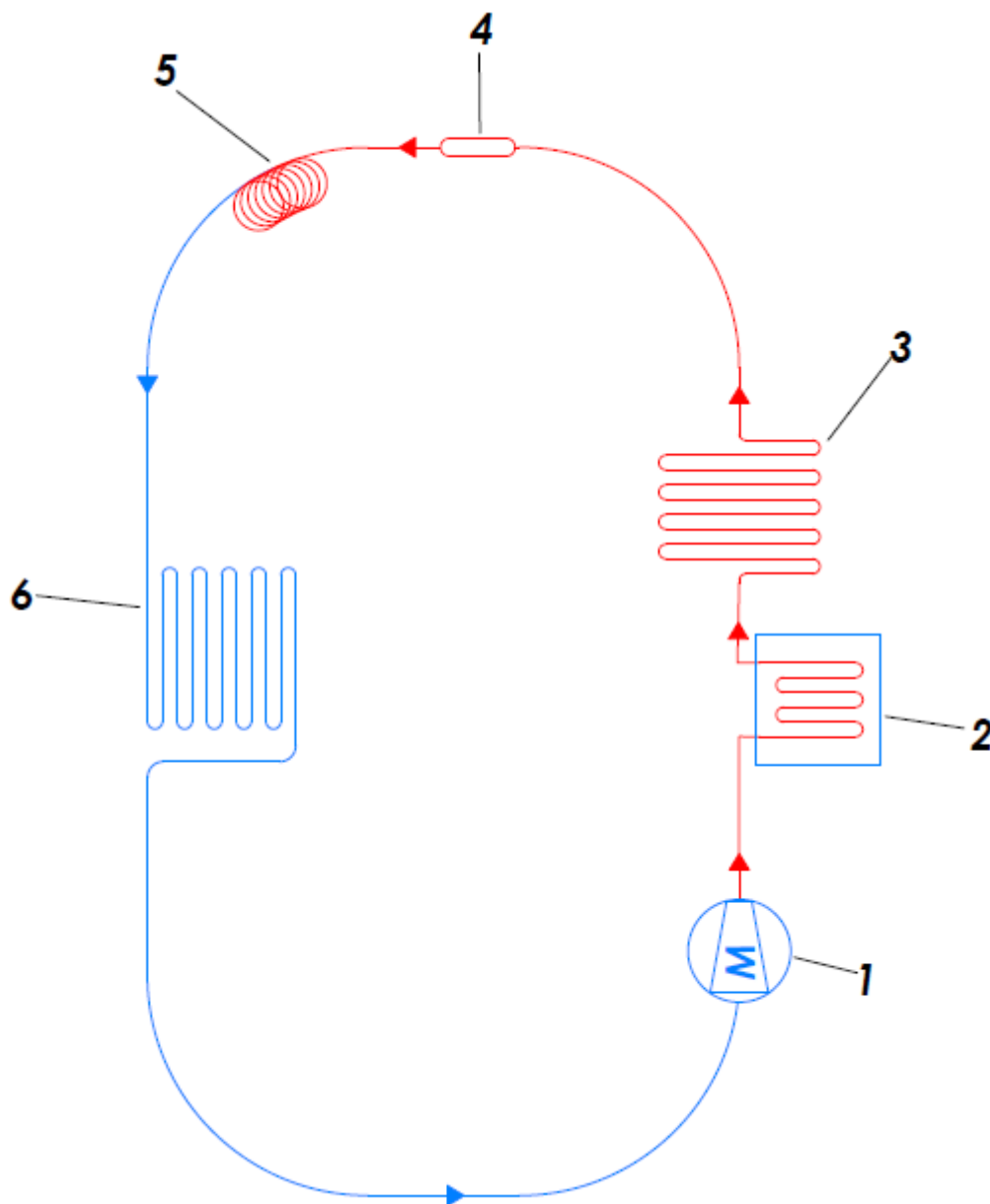
# HOSHIZAKI Snowflake GII



SCR-225DG



## Standaard Koelingsysteem



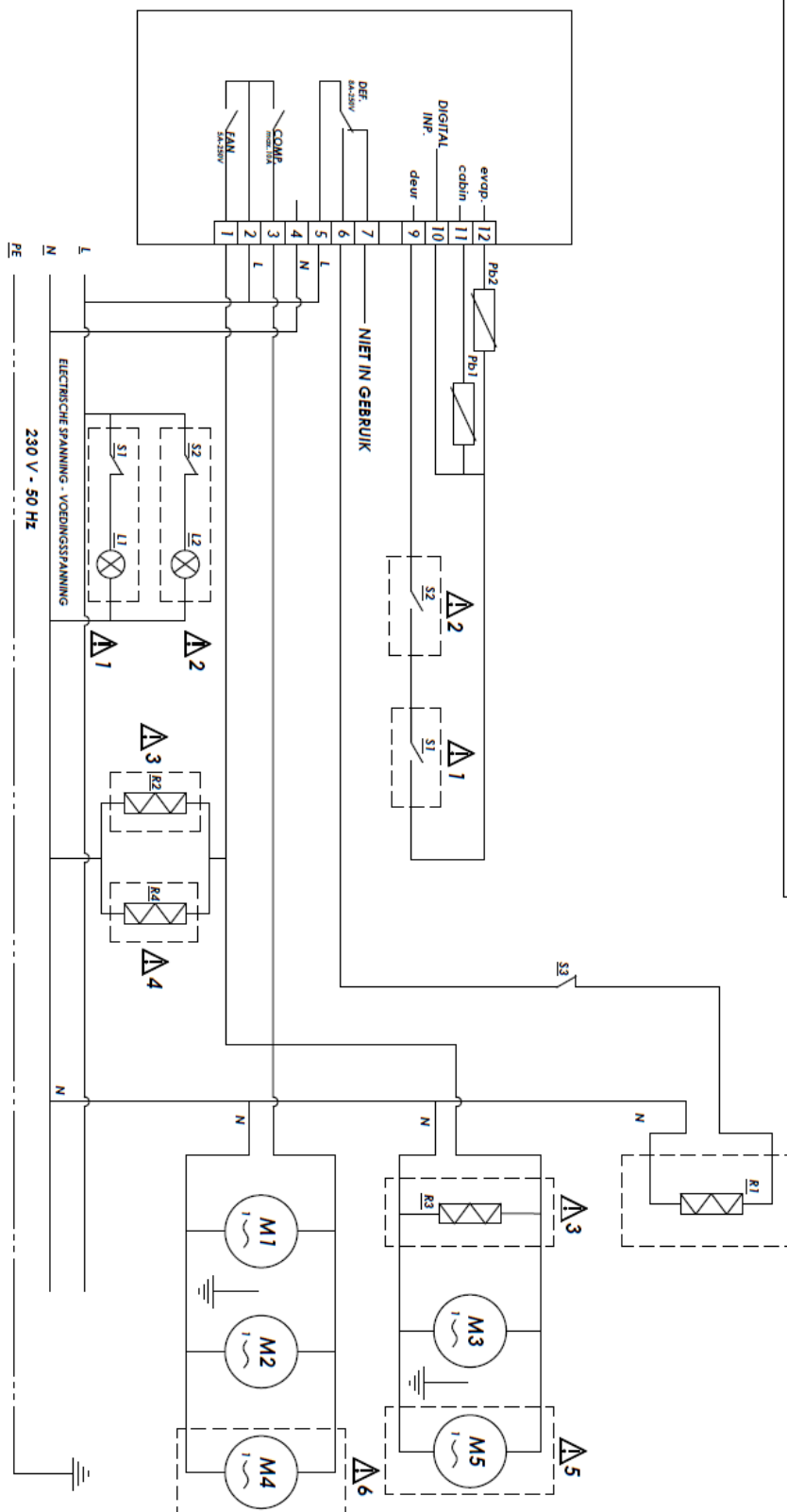
- 1 Compressor
- 2 Condensaat Opvangbak (2 stuks voor dubbele deurvriezers)
- 3 Condensor
- 4 Droger
- 5 Capillaire Buis – Pijp
- 6 Verdamer



# HOSHIZAKI Snowflake GII

TECHNISCHE ELEMENTEN – ELECTRISCHE ELEMENTEN

## DIGITALE THERMOSTAAT MODEL NUMMER: EVCO EV3B23N7



### OMSCHRIJVING

- △1 Alleen geldig voor de Modellen SUF/SUF 135
- △2 Niet geldig voor de modellen van het tegenovergestelde type.
- △3 Alleen verkrijgbaar op SUF 45
- △4 △5 △6 Alleen leverbaar op dubbele deurvriester

- S1: Schakeling 1
- S2: Schakeling 2
- S3: Thermische Beschermmer
- M1: Compressor
- M2, M4: Ventilator - Condensor
- M3, M5: Verdampers Ventilator
- Pb1: Koelingskast Sonde
- Pb2: Verdampers Sonde
- R1: Ontdooingsverhitter
- R2-R4: Afleidings Verwarmer
- R3: Verwarmer met deur frame kabel
- L1/L2: LED Verlichting

# HOSHIZAKI

## Snowflake GII



### V.SERVICE DIAGNOSE

De onderstaande tabel geeft een aantal problemen die zich kunnen voordoen. Als een alarmcode wordt weergegeven, is een storing opgetreden. Corrigeer elke mogelijke oorzaak voor het resetten van de koelingskast. De mogelijke oorzaken en oplossingen worden hieronder vermeld.

Als er een foutcode zich blijft voordoen nadat U de onderstaande controles hebt uitgevoerd, neem dan contact op met erkend technisch servicepersoneel. De kenmerken van de foutmelding dient te worden bepaald. Product details met inbegrip van het serienummer is te vinden op het etiket – typeplaatje van het product.

PROBLEEM	MOGELIJKE OORZAAK	OPLOSSING
De koelingskast werkt niet	De koelingskast heft geen elektrische stroom	Controleer de stekker en de kabel
De compressor stopt maar zelden	De omgevingstemperatuur is te hoog	De ventilatie dient te worden verbeterd
	De condenser of het condensorfilter zijn gebokkeerd – vuil	Controleer en reinig de condensor filter regelmatig
	Lage koelmiddel belasting	Neem contact op met geautoriseerd servicepersoneel om lekkages te repareren
	De afdichtingen van de deur dicht niet goed af	Neem contact op met geautoriseerd servicepersoneel om de afdichtingen te verwisselen
	De evaporator – verdamper is vastgevroren	Plaats geen warme – hete voedingsmiddelen in de koelingskast Plaats geen voedingsmiddelen met een hoog watergehalte tenzij deze in verzegelde afgesloten containers worden bewaard Start een handmatige ontdooicyclus
Er loopt water uit de condenser waterbak	De verdamperventilatoren / fans zijn defect	Neem contact op met geautoriseerd servicepersoneel om de verdamperventilatoren / fans te verwisselen
	Het vaak plaatsen van warme – hete voedingsmiddelen in de koelingskast	Plaats geen warme – hete voedingsmiddelen in de koelingskast
		Plaats voedingsmiddelen met een hoog watergehalte alleen in afgesloten – verzegelde containers in de koelingskast
Het vaak openen van de deuren en de laden	Controleer of de specificaties van de koelingskast geschikt zijn voor het huidige gebruik	
De temperatuur in de koelingskast is te hoog	De condenser is geblokkeerd met stof en vuil	Check en controleer het condensorfilter regelmatig
	De luchtstroom binnen de koelingskast is geblokkeerd	Verwijder voedingsmiddelen die de luchtstroom blokkeren
	Omgevingslucht dringt de koelingskast binnen	Zorg ervoor dat de deur is gesloten
		Controleer of er schade is aan de deur en de afdichtingen van de laden
De evaporator verdamper is vastgevroren	Neem contact op met geautoriseerd servicepersoneel	
		Start een handmatige ontdooicyclus op



## VI. VERWIJDERING EN VERVANGING – VERWISSELING

---

### DE VERVANGING VAN HET INTERIEUR GLOEILAMPJE VAN DE KOELINGSKAST

- Zet de elektrische stroom uit bij de hoofdschakelaar of verwijder de stekker uit het stopcontact.
- Open de deur.
- Maak de schroeven van de deksel – bedekking los en verwijder de deksel – bedekking.
- Zorg ervoor dat de nieuwe gloeilamp hetzelfde Volt – Watt vermogen heeft als de oude gloeilamp. Het Volt en Watt vermogen zijn afgedrukt op de gloeilamp.
- Verwijder – verwissel de gloeilamp

### RECYCLING VAN DE KOELINGSKAST

- Het koelingsgas welke in de koelingskast aanwezig is kan door middel van het etiket – naamplaatje worden geïdentificeerd .
- De koelingskast is vervaardigd uit recyclebare materialen in overeenstemming met de EU-Regelgeving. Daarom dient de koelingskast aan het einde van zijn economische levensduur te worden teruggegeven – afgeleverd aan de juiste recycling centrum.
- De koelingskast dient niet te worden gerecycled als afvalmetaal of als huishoudelijk afval.
- De koelingsinstallatie – koelingscircuit – stroomkring dient niet vast aaneengesloten te worden.

### BELANGRIJK

Houdt U zich aan de lokale wetten en regelgevingen met betrekking tot de recycling van de koelingskast – koelingsinstallatie.



# HOSHIZAKI

## Snowflake GII

Alle rechten voorbehouden

---

Hoshizaki behoudt zich het recht voor om functies en de informatie in deze handleiding te wijzigen.

### Contact Informatie

#### Hoofdkwartier

**Hoshizaki Europe B.V.**

TEL: +31 20 691 8499

Sales@hoshizaki.nl

<http://hoshizaki-europe.com/>

#### Agentschappen

**Hoshizaki UK - UK, Ireland**

TEL: +44 845 456 0585

uksales@hoshizaki.co.uk

**Hoshizaki Deutschland – Duitsland – Zwitserland – Oostenrijk**

TEL: +49 2154 92810, +49 5066 604612

info@hoshizaki.de

**Hoshizaki BENELUX – Nederland – België – Luxemburg**

TEL: +31 20 565 0420, +31 54 645 4252

sales@hoshizaki.nl

**Hoshizaki France – Frankrijk**

TEL: +33 1 48 63 93 80

info@hoshizaki.fr

**Hoshizaki Iberia – Spanje – Portugal**

TEL: +34 93 478 09 52

info@hoshizaki.es

**Hoshizaki Middle East – Het Midden Oosten**

TEL: +971 48 876 612

sales@hoshizaki.ae

**Hoshizaki Danmark – Denmark, Norway, Sweden**

TEL: +45 8988 5350

salg@hoshizaki.dk

**Hoshizaki Europe B.V – Alle andere landen in Europa en Afrika**

TEL: +31 20 565 0420

sales@hoshizaki.nl

# HOSHIZAKI Snowflake GII

---





# HOSHIZAKI Snowflake GII



## KØLEPRODUKTER OG FRYSERE BETJENINGS-, VEDLIGEHOLDELSSES- OG INSTALLATIONS MANUAL



EN: OPERATION, MAINTENANCE AND INSTALLATION MANUAL  
FR: MANUEL D'UTILISATION, D'ENTRETIEN ET D'INSTALLATION  
DE: BEDIENUNG-, WARTUNGS- UND MONTAGEANLEITUNG  
ES: MANUAL DE OPERACIÓN, MANTENIMIENTO E INSTALACIÓN  
NL: EXPLOITATIE- ONDERHOUD- EN INSTALLATIEHANDLEIDING  
DA: BETJENINGS-, VEDLIGEHOLDELSSES- OG INSTALLATIONS MANUAL

<b>I. GENERELLE OPLYSNINGER</b>	<b>122</b>
<b>II. BETJENINGSVEJLEDNING</b>	<b>126</b>
<b>III. VEDLIGEHOLDELSSESANVISNINGER</b>	<b>132</b>
<b>IV. TEKNISKE OPLYSNINGER</b>	<b>134</b>
<b>V. SERVICE DIAGNOSE</b>	<b>141</b>
<b>VI. BORTSKAFFELSE</b>	<b>143</b>

Kontaktoplysninger: HOSHIZAKI EUROPE B.V.  
Adresse: Burgemeester Stramanweg 101 1101 AA Amsterdam, Holland  
Tlf.: + 31 (0) 20 691 84 99 <http://Hoshizaki-Europe.com/>

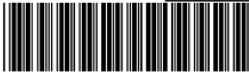
# HOSHIZAKI Snowflake GII



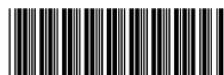
## I. GENERELLE OPLYSNINGER

### TYPENUMMER SKILT

1 Varenummer
2 Produktbeskrivelse
3 Model
4 Kølemiddel (GWP)
5 CO2-ækvivalent
6 IP-beskyttelse
7 Klimaklasse
8 Produktionsdato
9 Strøm forbrug
10 El-tilslutning
11 Varmelegemer
12 Systemtryk
13 Drivmiddel for isolering
14 Serie nummer

PRODUCT NUMBER	1
	
PRODUCT DESCRIPTION	2
MODEL	3
REFRIGERANT	4
CO2 EQUIVALENT	5
IP PROTECTION	6
CLIMATE CLASS	7
PRODUCTION DATE	8
POWER-CURRENT	9
VOLTAGE - FREQUENCY	10
HEATING ELEMENT	11
SYSTEM PRESSURE	12
BLOWING AGENT	13

S/N: 14



HOSHIZAKI EUROPE B.V. Burgemeester Stramanweg 101 1101 AA  
Amsterdam, The Netherlands



### ANVENDELSESOMRÅDE

Dette produkt er beregnet til opbevaring af emballerede fødevarer ved en konstant temperatur. Produktet må ikke anvendes til nedkøling eller indfrysning af fødevarer.

Produktet må kun benyttes til det formål, det er konstrueret til. Enhver anden form for brug kan medføre, at fødevarer der opbevares i produktet, ikke kan holde den korrekte temperatur.

Produktet er ikke beregnet til opbevaring af blodplasma, laboratorieprøver, lægemidler eller lignende stoffer.

Producenten kan ikke drages til ansvar for eventuelle skader forårsaget af upassende, ukorrekt eller ufornuftig brug.

- Mens fødevarer opbevares i dette produkt, er det nødvendigt at sikre, at fødevarer aldrig kommer i kontakt med produktets indvendige sider eller bund.
- Alle fødevarer skal være helt tildækket.
- Opbevar ikke varme fødevarer eller væsker i dette produkt.
- Drikkevarer, der opbevares i beholdere og glasflasker, må ikke opbevares ved temperaturer under 0 °C (frysepunkt). Dåser og glasflasker kan sprænge på grund af ekspansion. Alle beholdere med låg bør ikke fyldes helt: en lille mængde plads bør overlades til ekspansion.
- Dette produkt er udstyret med en automatisk afrimnings facilitet. Det er også muligt at udføre manuel afrimning. Den manuelle afrimning indebærer ikke, at produktet skal slukkes i lange perioder, men kan udføres via produktets styring. Der må under ingen omstændigheder anvendes håndværktøj eller lignende til at afrime dette produkt, eftersom det udgør en fare og eventuelle skader som følge af en sådan handling er vanskelige at reparere.
- Anvend ikke mekaniske eller alternative afrimningsmidler.
- Eventuelle elektriske eller mekaniske ændringer i produktet indebærer bortfald af garantien. Ændringer foretaget af ikke-autoriserede serviceteknikere og andre ændringer end dem, der er beskrevet i denne manual, vil også annullere garantien. Producenten påtager sig ikke noget ansvar for skader som følge af sådanne ændringer.

# HOSHIZAKI

## Snowflake GII



Produktet er designet til anvendelse inden for specifikke maksimale omgivende temperaturer og fugtighedsniveauer. Disse er fastsat i klimaklasse systemet. Disse niveauer må aldrig overskrides. Klimaklassen for dette produkt kan findes på produktets typenummer skilt.

Klimaklasse	Omgivende temperatur og fugtighed
4	+30°C med 55% RF
5	+40°C med 40% RF

### MODTAGELSE OG KONTROL AF PRODUKTET

Dette produkt er pakket i beskyttende emballagemateriale ved forsendelse. Ved levering skal produktet kontrolleres for eventuelle transportskader, og at det modtagne produkt svarer til det bestilte.

#### VIGTIGT

Alle operationer, der er anført nedenfor, skal fuldt ud overholde lovgivning og sikkerhedsregler. Overhold alle gældende sikkerhedsregler, når du betjener dette produkt.

### TRANSPORT

Ved løft af produktet ved hjælp af maskiner skal enhver maskines løftekapacitet verificeres, inden sådanne procedurer gennemføres.

#### VIGTIGT

Når der anvendes en gaffeltruck til at flytte produktet, skal det sikres, at gaflerne er indsat i de relevante åbninger på pallen.

Under transport skal opmærksomheden rettes mod stabiliteten af produktet. Hvis tyngdepunktet ikke er centralt og dermed i balance, er der risiko for at tabe eller vælte produktet. Ved sænkning af produktet med en gaffeltruck sikre dette sker langsomt og med omhu.

Hvis det bliver nødvendigt at transportere opretstående produkter i vandret stilling, skal det sikres, at produktet har været oprejst i mindst 2 timer, før det startes. Det anbefales ikke at transportere opretstående produkter i liggende stilling, og eventuelle skader som følge af en sådan handling er ikke dækket af garantien.

#### BEMÆRK

Anbefalingerne trykt på yderside af transportemballagen er der for ejeren/brugerens skyld. Følgende anbefalinger skal derfor overholdes:

- Bær produktet forsigtigt
- Hold produktet tørt
- Brug ikke toppen af produktet til opbevaring
- Fjern pap og andet emballagemateriale
- Løft produktet for at afmontere og fjerne det fra emballagepallen
- Placer produktet på den ønskede placering, stående på sin egen base (ben/hjul)
- Kontroller, om der er synlige skader
- Emballagematerialer kan genbruges i henhold til lokale genbrugsregler
- Kontroller, at produktkoden og serienummeret svarer til det samme på alle forsendelsesdokumenter

# HOSHIZAKI Snowflake GII



## Køle- og fryseskabe

Varemærke			HOSHIZAKI			
Model			SUR-65DG	SUR-135DG	SUF-65DG	SUF-135DG
Anvendelse			Opbevaring	Opbevaring	Opbevaring	Opbevaring
Køl			X	X		
Frys					X	X
Multi-use						
Opretstående skab			X	X	X	X
Kølebord						
Parameter	Symbol	Enhed				
Energieffektivitetsklasse	EEC	-	D	D	D	E
Energieffektivitetsindeks	EEl	-	74,96	74,69	74,57	77,54
24 timers energiforbrug	E24h	kWh	2,61	3,97	7,01	11,50
Årligt energiforbrug	AEC	kWh	952,65	1449,05	2558,65	4198,00
Nettovolumen for rum 1	Vn eller Vn1	liter	402,8	405,2	397,6	400,0
Nettovolumen for rum 2	Vn2	liter	-	405,2	-	400,0
Nettovolumen for rum 3	Vn3	liter	-	-	-	
Nettovolumen for rum 4	Vn4	liter	-	-	-	
Samlet nettovolumen	VnT	liter	402,8	810,3	397,6	800,0
Klimaklasse	CC		5	5	5	4
Kølemiddel			R290	R290	R290	R290
Kølemiddelfyldning		kg	0,068	0,104	0,106	0,142
GWP			3	3	3	3
CO2-ækvivalent		t. CO2	0,204	0,312	0,318	0,426
Heavy duty; Dette apparat er beregnet til brug ved omgivende temperaturer op til 40 °C to 40°C			X	X	X	
Kontaktoplysninger:	HOSHIZAKI EUROPE B.V.					
	Adresse: Burgemeester Stramanweg 101 1101 AA Amsterdam, The Netherlands Tel.: +31 (0)20 691 8499 <a href="http://hoshizaki.europe.com/">http://hoshizaki.europe.com/</a>					

# HOSHIZAKI Snowflake GII



## Køleborde

Varemærke			Hoshizaki								
Model			SCR-130DG			SCR-180DG			SCR-225DG		
Konfiguration dør/skuffer			LR	22	32	LRR	222	332	LLRR	2222	3332
Anvendelse			Opbevaring			Opbevaring			Opbevaring		
Køl			X	X	X	X	X	X	X	X	X
Frys											
Multi-use											
Opretstående skab											
Kølebord			X	X	X	X	X	X	X	X	X
Parameter	Symbol	Enhed									
Energieffektivitetsklasse	EEC		C	C	C	C	C	C	C	D	D
Energieffektivitetsindeks	EEl		40,63	36,21	36,93	37,89	43,39	45,00	43,54	60,06	63,23
24 timers energiforbrug	E24h	kWh	2,48	2,10	2,10	2,54	2,71	2,71	3,18	4,02	4,02
Årligt energiforbrug	AEC	kWh	905,20	766,50	766,50	927,10	989,15	989,15	1160,70	1467,30	1467,30
Nettovolumen for rum 1	Vn1	liter	85,7	63,9	47,9	85,7	63,9	47,9	85,7	63,9	47,9
Nettovolumen for rum 2	Vn2	liter	85,7	63,9	63,9	85,7	63,9	47,9	85,7	63,9	47,9
Nettovolumen for rum 3	Vn3	liter				85,7	63,9	63,9	85,7	63,9	47,9
Nettovolumen for rum 4	Vn4	liter							85,7	63,9	63,9
Samlet nettovolumen	VnT	liter	171,4	127,8	11,8	257,1	191,7	159,7	342,8	255,6	207,6
Klimaklasse	CC		5			5	4	4	5	4	4
Kølemiddel			R290			R290			R290		
Kølemiddelfyldning		kg	0,055			0,079			0,095		
GWP			3			3			3		
CO2-ækvivalent		t.CO2	0,165			0,237			0,285		
Heavy duty; Dette apparat er beregnet til brug ved omgivende temperaturer op til 40 °C			X	X	X	X			X		
Kontaktoplysninger:	HOSHIZAKI EUROPE B.V.										
	Adresse: Burgemeester Stramanweg 101 1101 AA Amsterdam, The Tel.: +31 (0)20 691 84 99  <a href="http://hoshizaki.europe.com/">http://hoshizaki.europe.com/</a>										

# HOSHIZAKI

## Snowflake GII

---



## II. BETJENINGSVEJLEDNING

### ELEKTRISK TILSLUTNING

Før produktet tilsluttes en strømforsyning, skal det kontrolleres, at den angivne elektriske strømforsyning på produktets typenummer skilt svarer til det lokale netværks strømforsyning.

Produkt typenummer skiltet med den specificerede elektriske strømforsyning kan findes indvendigt i produktet i øverste venstre side.

Produktet må tilsluttes af brugeren selv. Læs nedenstående grundigt igennem før tilslutning.

### GÆLDENDE FOR DANMARK:

Produktet skal tilsluttes i henhold til Stærkstrømsbekendtgørelsen afsnit 8, som indeholder krav om supplerende beskyttelse af HFI- eller HPFI afbryder i eksisterende installationer.

Tilslut kun produktet den spænding der er angivet på typenummer skiltet. Brug kun den medfølgende ledning for tilslutning til stikkontakt. Brug aldrig forlængerledning!

Hvis en stikkontakt er placeret i større afstand end den medfølgende lednings længde, så kontakt autoriseret elinstallatør for opsætning af ny stikkontakt indenfor ledningens radius.

Hvis det observeres at produktet er behæftet med fejl, skal produktet i garantiperioden undersøges af en autoriseret service tekniker med kendskab til produktet.

Afbryd altid strømmen hvis der konstateres driftsforstyrrelser, samt før rengøring og vedligeholdelse af produktet. Reparationer af de elektriske/tekniske komponenter må kun foretages af en autoriseret service tekniker. Anvend ikke produktet før alle afskærmninger er monteret, så strømførende eller roterende maskindele ikke kan berøres.

Eventuelle krav om jordtilslutning fra lokale elforsyninger skal efterkommes. Produktets stik og anvendte stikkontakt skal give korrekt jordforbindelse. Kontakt evt. Autoriseret elinstallatør.

Hvis der foretages service på de elektriske dele, skal der afbrydes for elforsyningen. Det anbefales at trække stikket ud af stikkontakten. Det er ikke nok at afbryde produktet på ON/OFF-tasten, da der stadig vil være spænding til enkelte elektriske dele.

### OPSTILLING AF PRODUKTET

Opstillingsstedets underlag skal være plant og vandret. Har produktet ben, skal det nivelleres så det står helt lige, ved hjælp af de justerbare ben. Er produktet monteret med hjul, skal de to forreste hjuls låseanordninger aktiveres, når produktet er placeret. Underlaget skal være plant, og desuden må produktet ikke opstilles på rammer eller lignende.

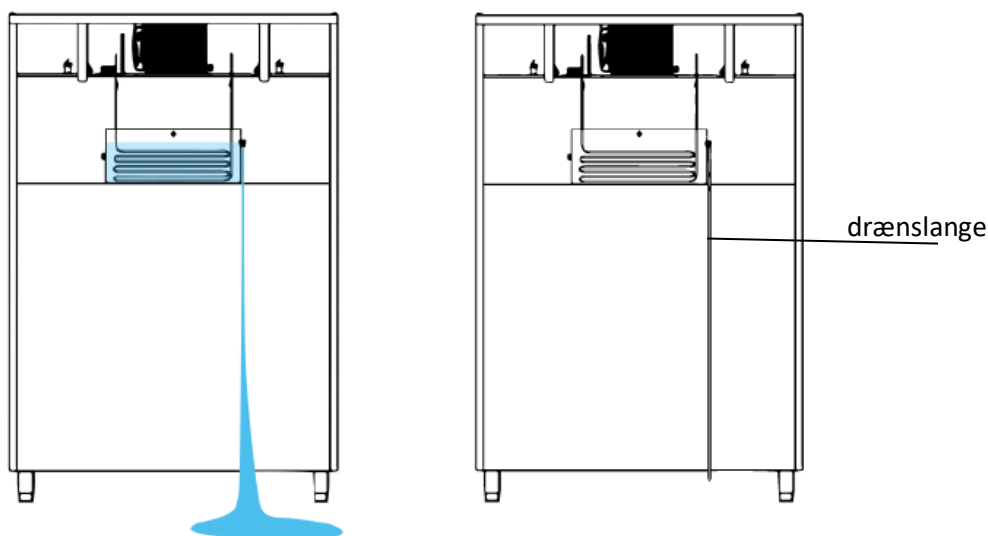
Produktet bør anbringes i et tørt og tilstrækkeligt ventileret rum. Efterlad mindst 500 mm fri plads over produktet. For at sikre en effektiv drift må anbringelse i direkte sollys eller nær varme flader undgås.

Undgå opstilling i stærkt klor-/syreholdige omgivelser (svømmehaller og lign.) på grund af fare for korrosion. Produktet må ikke anvendes udendørs.

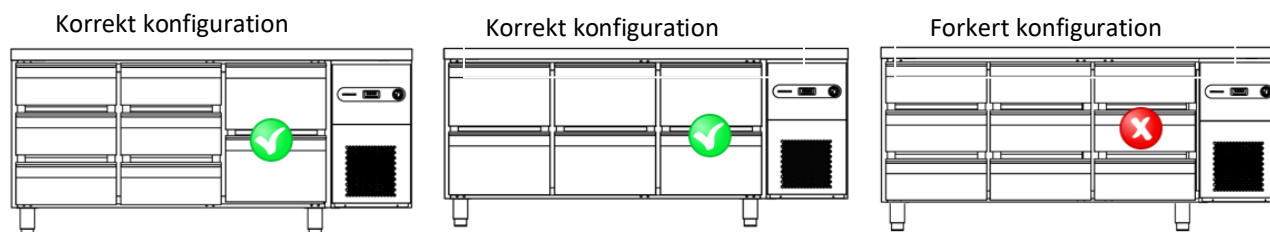
Produktet samt dele af dets inventar er forsynet med en beskyttende folie, som bør fjernes inden ibrugtagning.

Rengør produktet med en let sæbeopløsning før ibrugtagning.

# HOSHIZAKI Snowflake GII



I tilfælde af at vandet i genfordampningsbakken på produktets bagside løber over, skal brugeren tilslutte en drænslange (6mm i diameter) til bakken. Slangen skal føres til gulv afløb. Der er en Quick Connector på genfordampningsbakken, hvor brugeren kan forbinde drænslangen.



Visse SCR-modeller er forberedt til at ændre dørens/skuffe konfigurationen. Men en skuffe sæt med 3 stk. 1/3 skuffer må ALDRIG placeres ved siden af kompressorrummet. Kontakt forhandleren for at få flere oplysninger.

## KONTROL AF EVT. BEHOV FOR BORTLEDNING AF TØVAND

De opretstående produkter er konstrueret til at tillade op til 72 døråbninger pr. dag i henhold til test normen ISO 22041. Hvis brugen af døren overstiger dette niveau, er det nødvendigt at forbinde drænslangen til et eksternt afløb.

## KONTROL AF EL-TILSLUTNING

- Kontroller, at strømforsyningen er i overensstemmelse med oplysningerne på produktets typenummer skilt.
- Produktet skal tilsluttes en stikkontakt med en 13-16 amp-sikring som en seriel forbindelse.
- Sluk for sikringstavlen før ledningen tilsluttes.
- Kontroller, at stikket på produktet er egnet til brug med den tilgængelige stikkontakt, og at de passer sammen.

## ATEX 2014/34/EU-krav:

1-producenten og den autoriserede tekniske tjeneste påtager sig intet ansvar i tilfælde af tab og farer, der kan opstå som følge af, at infrastrukturen i anvendelsesområdet ikke er hensigtsmæssig.

2-ventilationshastighed i omgivelser, hvor produktet befinder sig, må ikke være mindre end 0,3 m/sek.

# HOSHIZAKI

## Snowflake GII

---



3-luftudskiftningen skal have en kapacitet, der er i stand til at udskifte omgivende luft minimum 5 gange på 1 time. Det monterede ventilationssystem skal være i overensstemmelse med ATEX 2014/34/EU-standarderne.

4-i tilfælde af gaslækage i miljøet skal advarselssignal ved højst 20% af LEL (nedre eksplosionsgrænse) værdien af gassen aktiveres af systemet.

5-miljøet skal være udstyret med gasdetektorer. Gasdetektorer skal monteres på passende steder, så de kan detektere LPG og naturgas.

6-producenten og sælgerens firma har ikke noget ansvar for farlige situationer og skader, der kan opstå på grund af indgreb og modifikationer udført af andre end autoriseret service personale, der har modtaget uddannelse i ATEX 2014/34 EU. I dette tilfælde vil ATEX-certifikatet blive anset for ugyldigt.

7. i tilfælde af gaslækage i miljøet, eller hvis gasdetektorer udsender advarsel, skal produktet deaktiveres, af denne grund skal den elektriske installation udstyres med et system, der afskærer strøm til produktet i tilfælde af en gaslækage.

### ALMINDELIG BRUG

Når ovenstående kontrol er afsluttet, kan produktet startes. Tænd/sluk-kontakten betjener produktet. Når produktet er tændt, vil kompressoren begynde at køre. Kompressoren vil køre, indtil den fabriksindstillede temperatur er nået. Fødevarer bør ikke anbringes i produktet, før temperaturindstillingen er justeret, så den passer til de fødevarer, der skal opbevares.

Ny temperaturindstilling kan udføres gennem styringen som beskrevet i denne manual.

### VIGTIGT

- Lad produktet køle af til den indstillede temperatur, før du anbringer fødevarer.
- Overskrid aldrig den maksimale belastningskapacitet. Den maksimale hyldekapacitet er en jævn belastning på 40 kg hver for hylder i opretstående produkter og 20 kg for hylder og skuffer i køleborde.
- Se afsnittet "Opstilling af produktet" i denne manual for oplysninger om krav til god luftventilation omkring produktet.
- Opbevar ikke eksplosive stoffer såsom aerosoldåser med et brændbart drivmiddel i dette apparat.

### ADVARSEL

- Undlad at blokere ventilationsåbninger på apparatet når som helst.
- Brug ikke mekaniske anordninger eller andre midler til at fremskynde afrimningsprocessen, bortset fra de af fabrikanten anbefalede.
- Undlad at beskadige kølekredsløbet.

Korrekte opbevaringsforhold er ikke kun altafgørende for fødevarerhygiejne og -sikkerhed, men forbedrer servicekvaliteten og reducerer energiforbruget. Den bedste ydelse kan opnås, hvis følgende tips og retningslinjer overholdes:

Opbevar kun fødevarer på hylderne, og placer aldrig fødevarer på den indvendige bund i produktet. Fødevarer skal placeres i produktet på en sådan måde, at der tillades god luftstrøm hele vejen rundt,



## ELEKTRONISK STYRING



Den elektroniske styring indeholder følgende kontrolelementer og funktioner:

1. Indstil nøgle
  - bruges til at indtaste/indstille input værdier
2. Tænd/sluk-tast
  - Hold nede i 4 sekunder for at tænde eller slukke produktet
3. Ned-tast
  - bruges til at rulle ned gennem menuen eller til at ændre/reducere værdien
4. Op-tast
  - bruges til at rulle op gennem en menu eller til at ændre/øge værdien
  - Hold nede i 4 sekunder for at starte manuel afrimning

## FUNKTIONER I STYRINGEN

Betjeningspanelet kan låses og låses op.

Sådan låses betjeningsknapperne:

- Sikre, at der ikke er nogen proces i gang
- Må ikke anvendes i 30 sekunder
- Displayet vil vise "LOC" i 1 sekund, og tastaturet låses automatisk

Sådan låses betjeningsknapperne op:

- Tryk på en tast i et sekund: displayet viser beskeden "UNL" i et sekund

## TEMPERATURINDSTILLING

1. Sørg for, at betjeningspanelet ikke er låst, og at der ikke er nogen proces i gang.
2. Tryk på SET-tasten, hvorefter \*-indikatoren blinker.
3. Skift temperaturindstillingen ved brug af pil op og pil ned.
4. Berør SET-tasten, eller undlad at betjene i 15 sek. \* LED-indikatoren stopper med at blive vist, og styringen afslutter denne proces.
5. for at afslutte temperaturindstillingsprocessen, før den er færdig.
  - a. Tryk på tænd/sluk-tasten (eventuelle ændringer vil ikke blive gemt). Arbejdssætpunktet kan også indstilles via SP-parameteren.

# HOSHIZAKI

## Snowflake GII



### TEMPERATURVISNING (som målt af produktets følere)

1. Sørg for, at betjeningspanelet ikke er låst, og at der ikke er nogen proces i gang.
2. Tryk på pil ned i 4 sekunder: displayet viser den første føler, der er tilgængelig.
3. Vælg den korrekte føler ved hjælp af pil op og pil ned.
4. Tryk på SET-tasten.

Denne tabel viser koderne for hver føler.

Etiket	Viste temperatur
Pb1	Produkt temperatur
Pb2	Fordamper temperatur

For at afslutte processen trykkes på SET-tasten i 60 sekunder eller undlad at betjene i 60 sekunder. Tryk derefter på tænd/sluk-tasten.

Bemærk: Hvis fordamperføleren ikke er til stede, vil Pb2-koden ikke blive vist.

### TEMPERATUR ALARMER

Dette er en liste over alarmer vist af dette produkt.

KODE	ALARM TYPE	KRITISK VÆRDI
AL	Alarm ved lav temperatur	Lav produkttemperatur under denne alarm
AH	Høj temperatur alarm	Høj produkttemperatur under denne alarm
Id	Åben dør alarm	Maksimal produkttemperatur under denne alarm

Alarmpoptagelsen kan kun foretages, mens produktet er tændt.

Når årsagen til alarmerne ikke længere er til stede, vil produktet vende tilbage til normal drift.

### ADGANG TIL ALARM HISTORIK

1. Tryk på ned-knappen i 2 sekunder for at vise den første kode
2. Tryk på og slip op-knappen, eller vælg LS ved at trykke på knappen ned
3. Tryk og slip SET-knappen: en af koderne ovenfor vil blive vist for at vælge en alarm, tryk på op-knappen indtil AH vises.

Hvis man ønsker at se alarm oplysninger, trykkes og slippes tasten SET (den blinkende HACCP-lysdioder stopper).

### VIS TEKSTER OG DERES BETYDNING

8.0	Kritiske værdier 8,0 °C/°F
Dur	Displayet viser alarmtidspunktet
h01	1-timers alarm (fortsat)
n15	1 time og 15 minutters alarm
AH	Valgte alarm

# HOSHIZAKI

## Snowflake GII

---



Den historiske alarm visning afsluttes ved at trykke på og slippe knappen til/fra STANDBY gentagne gange.

Tryk gentagne gange på op-eller ned-knapperne for at afslutte processen, indtil displayet viser produktet

temperatur eller vent 60 sekunder uden at trykke på nogen knapper.

Alternativ exit-metode: Tryk på tænd/STANDBY-knappen, og slip den. Hvis der ikke er registreret alarmer, vises LS-koden ikke.

### FEJLKODER

Kode	Beskrivelse
Pr1	Fejl ved produkt føler
Pr2	Fejl ved fordamper føler

Korrektionen af disse fejl kan kun foretages af autoriseret teknisk personale.

### DRIFTS STATUS

Tilgængelig drifts status er angivet nedenfor:

Status	Beskrivelse
På	Produktet er tændt og fungerer
STANDBY	Produktet er tændt, men ikke aktiveret
Ud	Produktet har ingen strøm, stikket er ikke i stikkontakten, eller den vigtigste isolator er slukket

### VIGTIGT

Udfør ikke vedligeholdelse eller reparation, mens produktet er tændt eller i standby-tilstand. Kun når strømforsyningen er helt afbrudt og ledningen taget ud af stikkontakten kan der arbejdes med reparation af produktet.



### III. VEDLIGEHOVELSESANVISNINGER

Dette afsnit er specielt beregnet til ejeren/brugeren af produktet. Det giver vigtige oplysninger om den korrekte brug og for maksimering af produktets levetid.

Få enkle trin under brug og justering kan reducere behovet for dyre reparationer af serviceteknikere. Disse trin kræver ikke særlig teknisk viden.

#### VIGTIGT

Før rengøring og vedligeholdelse af produktet, skal det sikres at strømforsyningen er slukket og ikke kan tilsluttes ved et uheld af andre. Sørg derfor for at ledningen er taget ud af stikkontakten.

#### BEMÆRK

Produktet må ikke vaskes med højtryksrensere. Undgå enhver risiko for sprøjtning med vand på de elektriske komponenter.

#### RENGØRING

- det anbefales, at produktets indvendige overflader rengøres med desinficerende rengøringsmidler. Indvendig rengøring af produktet skal ske ved hjælp af varmt og let sæbevand.
- kun pH-neutrale eller svagt alkaliske rengøringsmidler kan anvendes til at rengøre produktet og produktets indvendige overflader.
- skader forårsaget af rengøringsmidler, der indeholder kemikalier, som kan beskadige rustfrit stål, dækkes ikke af garantien.
- brug aldrig metalværktøj, metalskuresvampe eller skurecreme eller -pulvere.
- snavs kan rengøres med en fugtig klud.
- hold ventilationsgitteret på produktet rent og frit for støv.
- hylderne er aftagelige for nem rengøring.
- Sørg for at hyldebæreskiner og hylde rengøres grundigt.

#### VIGTIGT

Produktet er fremstillet af rustfrit stål. Når det anvendes under normale forhold, korroderer rustfrit stål ikke, men der vil forekomme korrosion af rustfrit, hvis ætsende rengøringsmidler anvendes.

#### RUTINEMÆSSIG VEDLIGEHOVELSE

##### KONDENSATOR

Det er meget vigtigt, at kondensatoren holdes i stand til maksimal varmeoverførsel. Derfor skal overfladen af kondensatoren altid holdes ren. På grund af effekten af ventilatoren, vil støv ophobes på og inde i kondensatorfinnerne. En støvsuger med en børste kan bruges til at rengøre kondensatoren.

Vær særlig opmærksom på at undgå at beskadige kondensatorfinnerne eller ventilatorbladene.

Hvis der er et filter, skal du fjerne filteret for at rengøre det eller udskifte det. Udskift altid filteret, hvis det er beskadiget eller for snavset til at rengøre korrekt.

#### BEMÆRK

Når kondenseringsenheden skubbes tilbage efter rengøringen, skal du sørge for, at dryp vandslangen peger ind i drypbakken.



### DØR/SKUFFE TÆTNINGSLISTER

En tætningsliste i god stand vil forhindre indtrængning af fugt og varm luft i produktet, derfor er det afgørende for god økonomisk drift af produktet, at tætningslisten altid er intakt og slutter tæt.

### LEDNING

Hvis forsyningsledningen er beskadiget, skal den udskiftes af producenten, dennes service agent eller tilsvarende kvalificerede personer for at undgå fare.

### FORBEREDELSE AF LANGVARIGE PERIODER UDEN BRUG

- Sluk for strømmen ved sikringstavlen og tag el-stikket ud af stikkontakten.
- Fjern alle fødevarer fra produktet.
- Rengør produktet (Se afsnittet om rengøring).
- Fjern akkumuleret støv og snavs fra kompressoren og kondensatoren.
- For at undgå ubehagelige lugte, bør døren altid holdes åben på klem.

### BEMÆRK

Ved frakobling af produktet skal du være opmærksom på, at optøet vand kan dryppe fra produktet på gulvet. Dette kan forårsage skader på gulvet og forårsage glatte forhold.

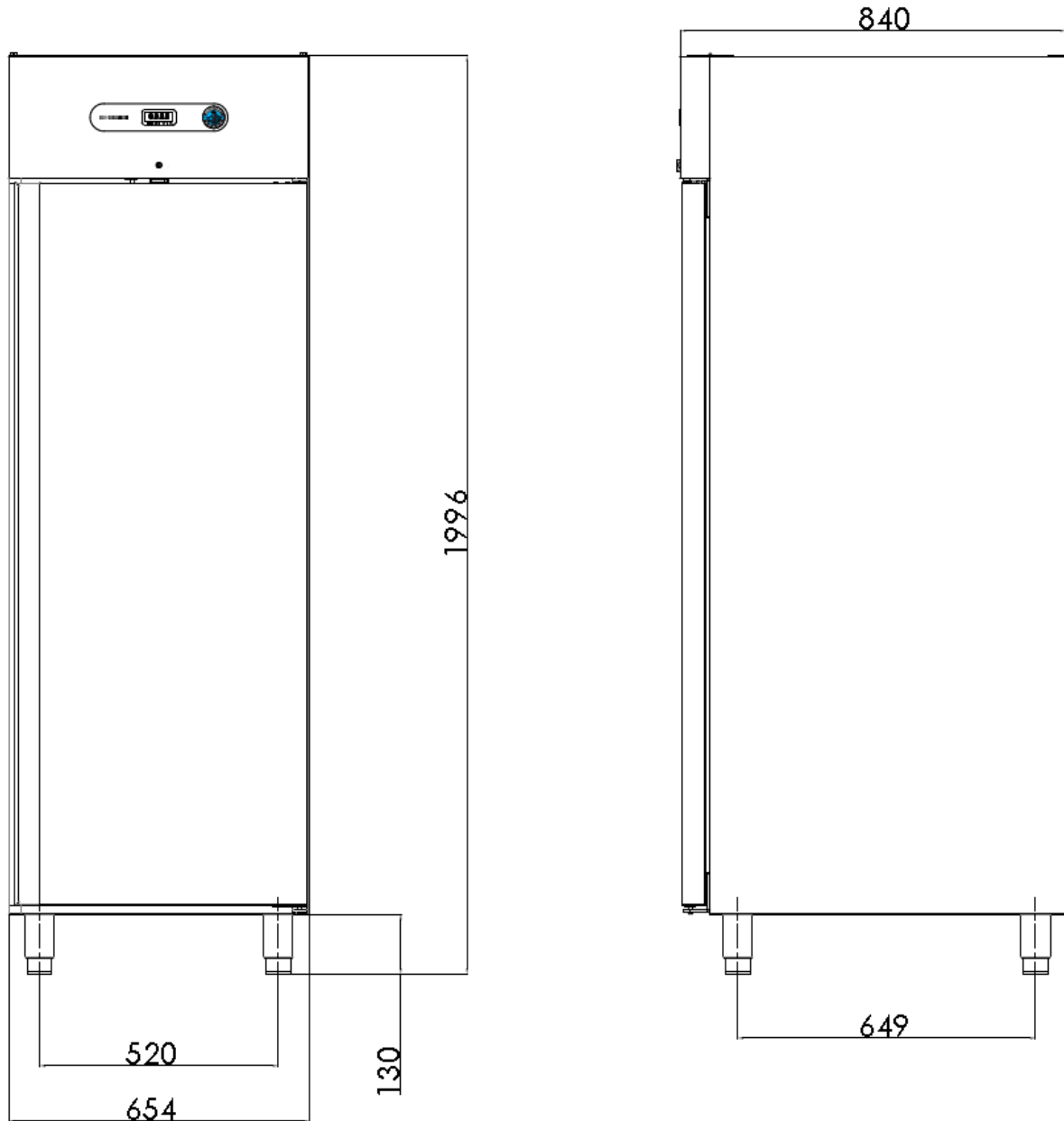
# HOSHIZAKI Snowflake GII



## IV. TEKNISKE OPLYSNINGER

### PRODUKTERNES dimensioner

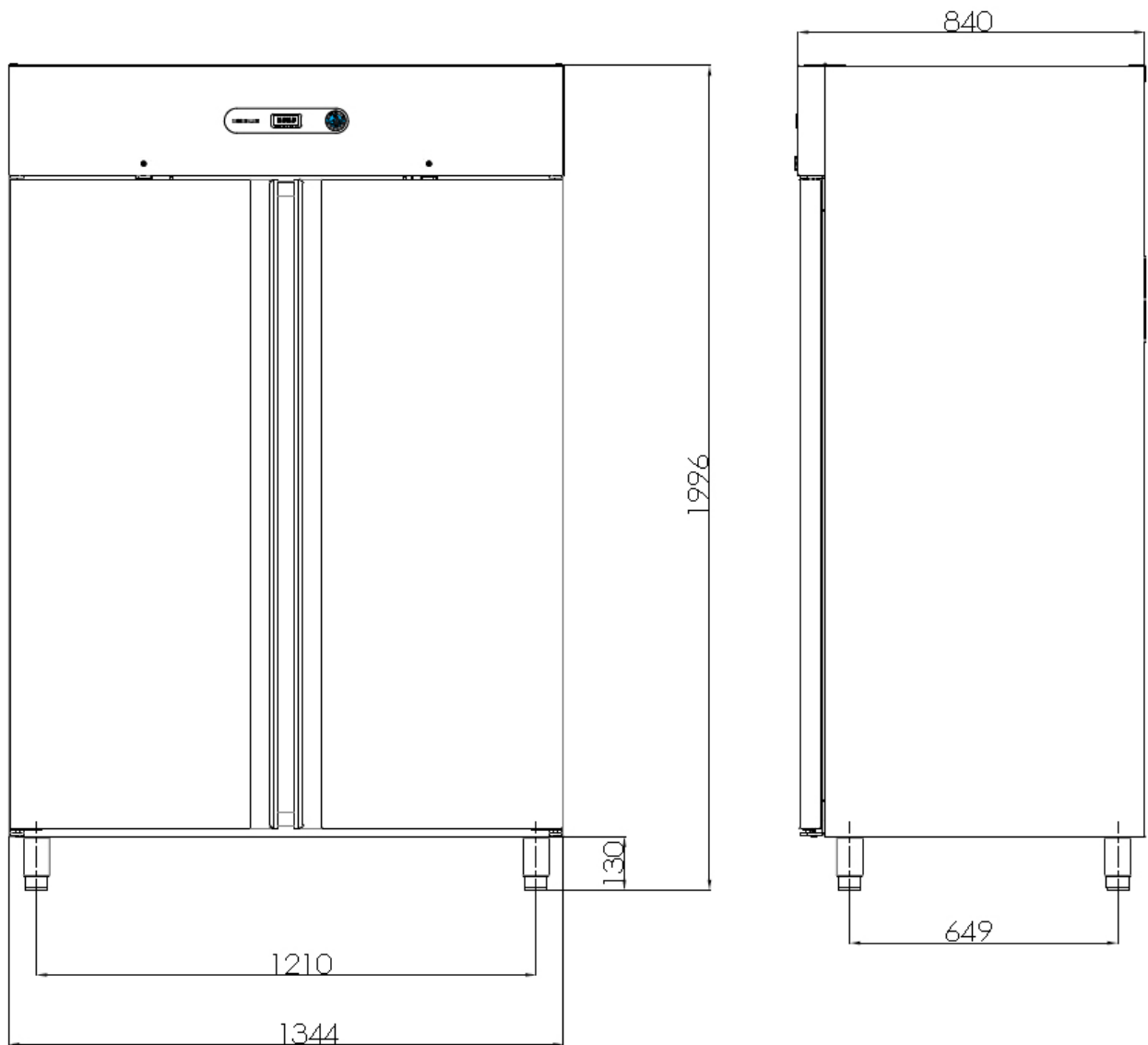
SUR-65DG & SUF-65DG



# HOSHIZAKI Snowflake GII



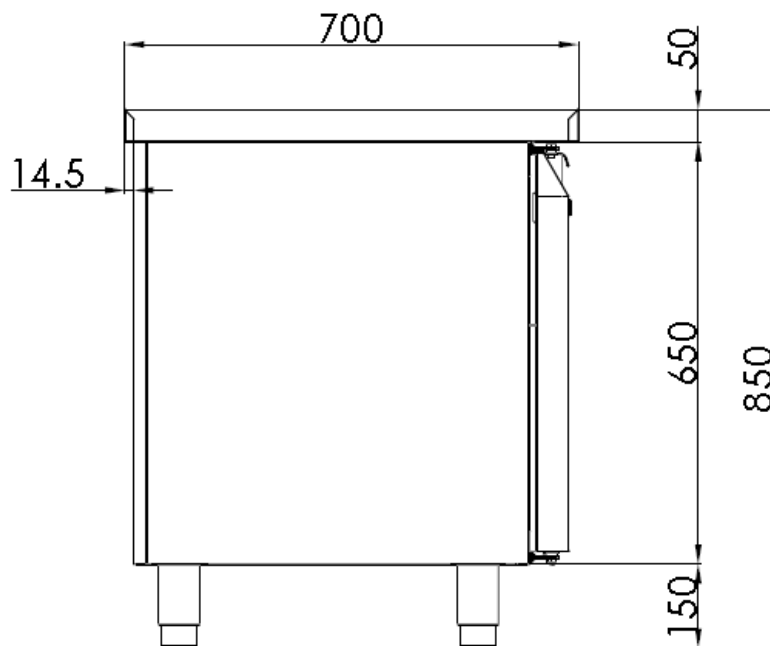
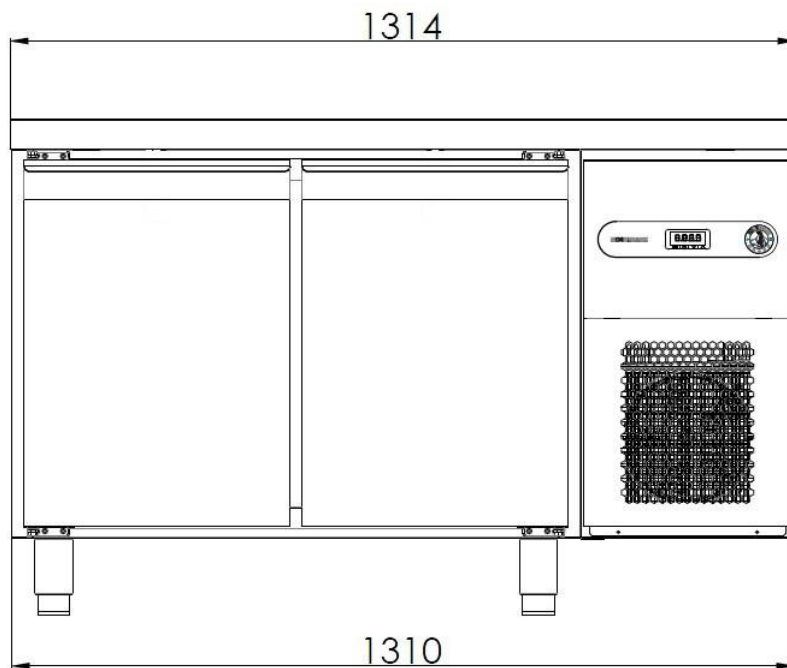
SUR-135DG & SUF-135DG & SUF-135DG



# HOSHIZAKI Snowflake GII



SCR-130DG

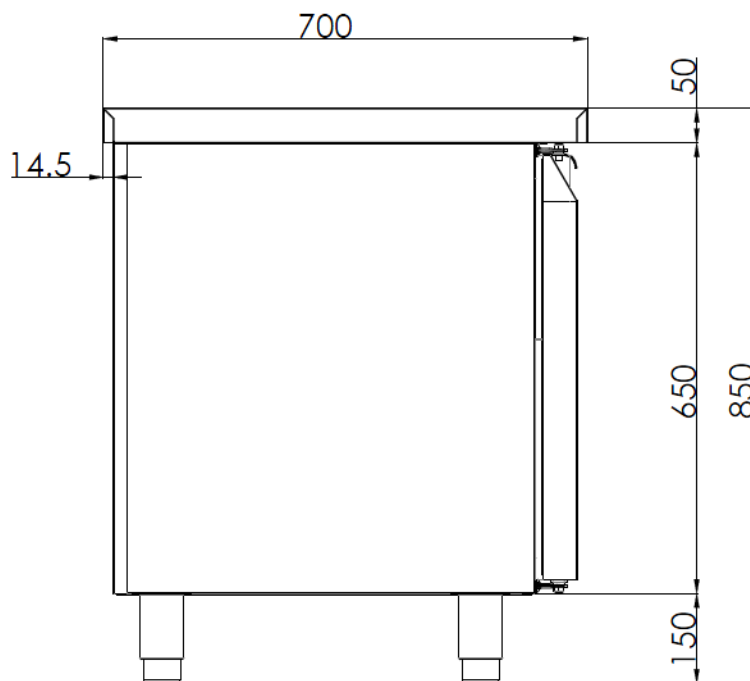
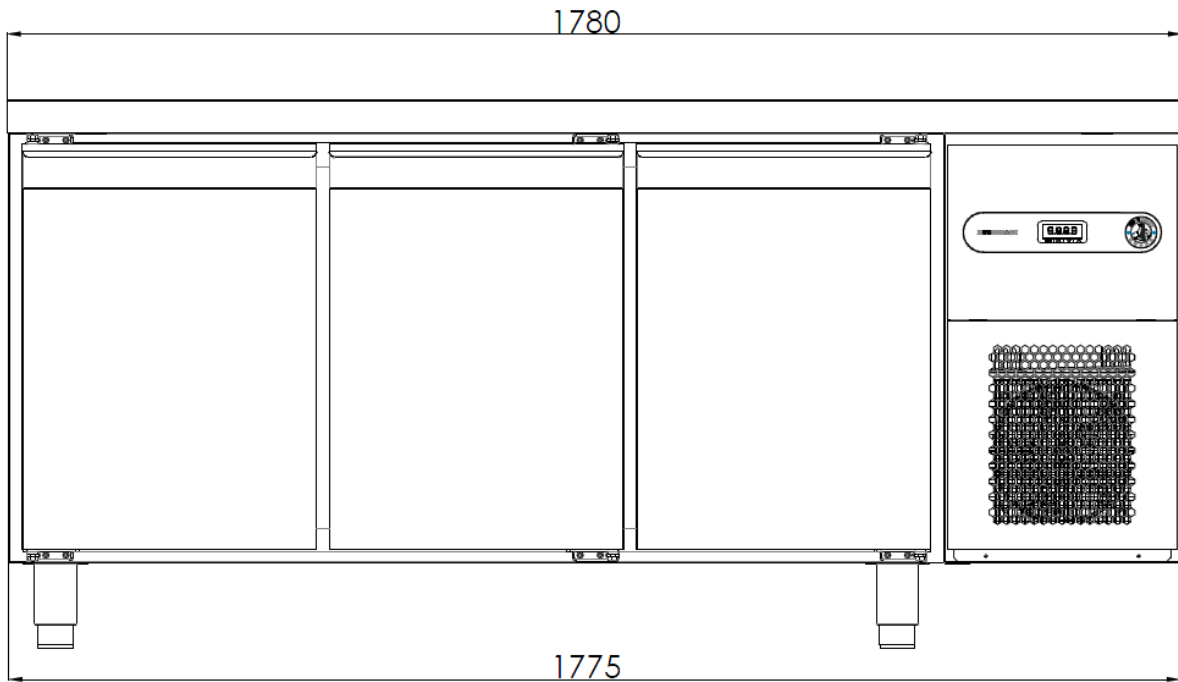




# HOSHIZAKI Snowflake GII



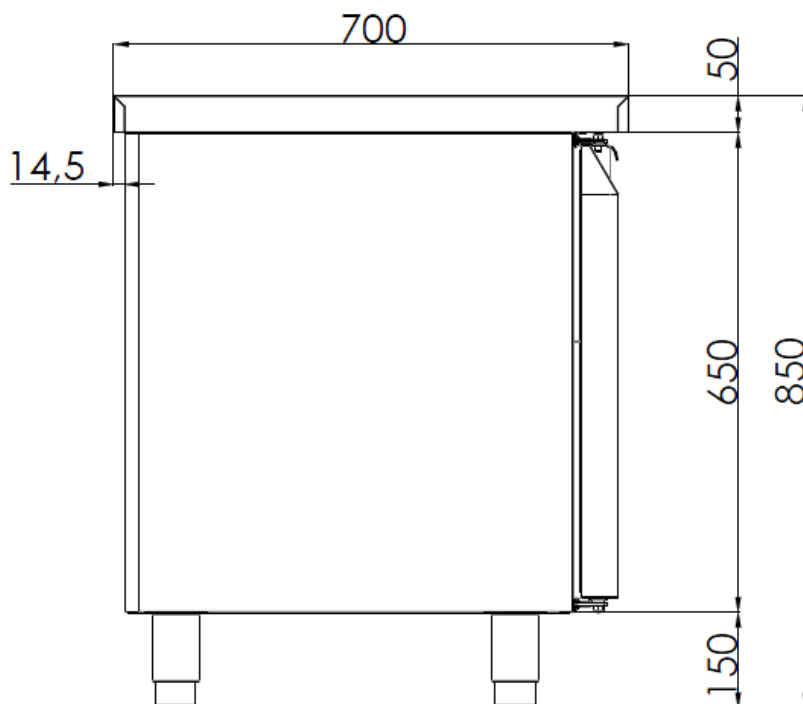
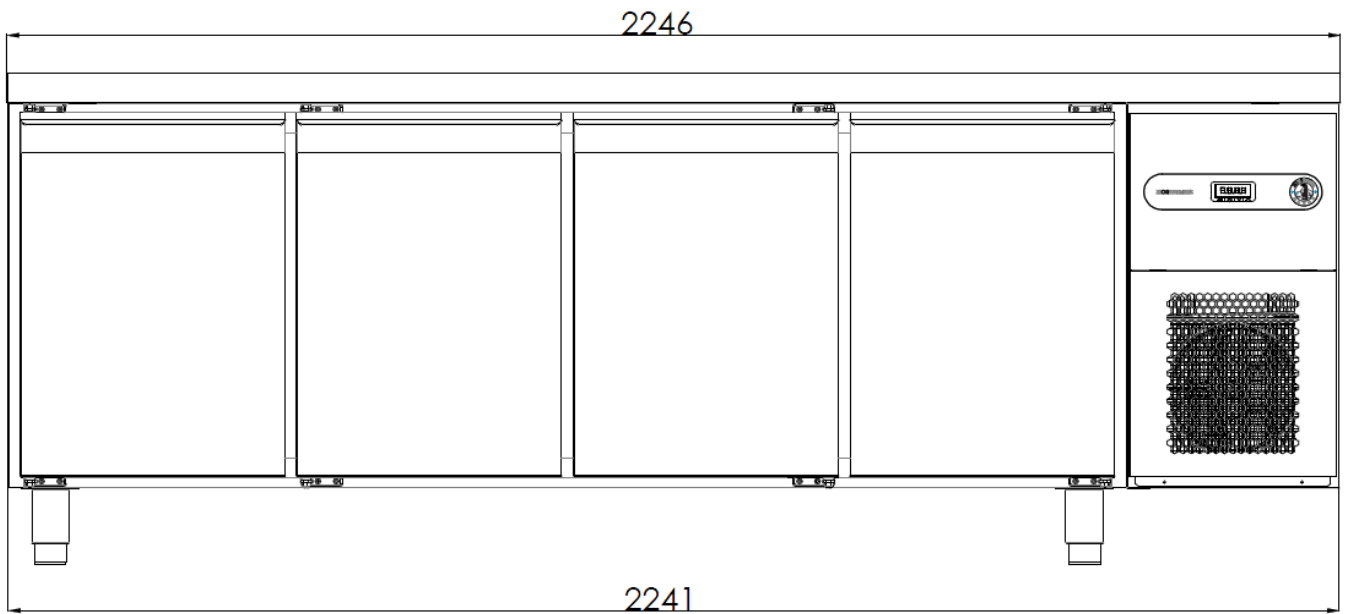
SCR-180DG



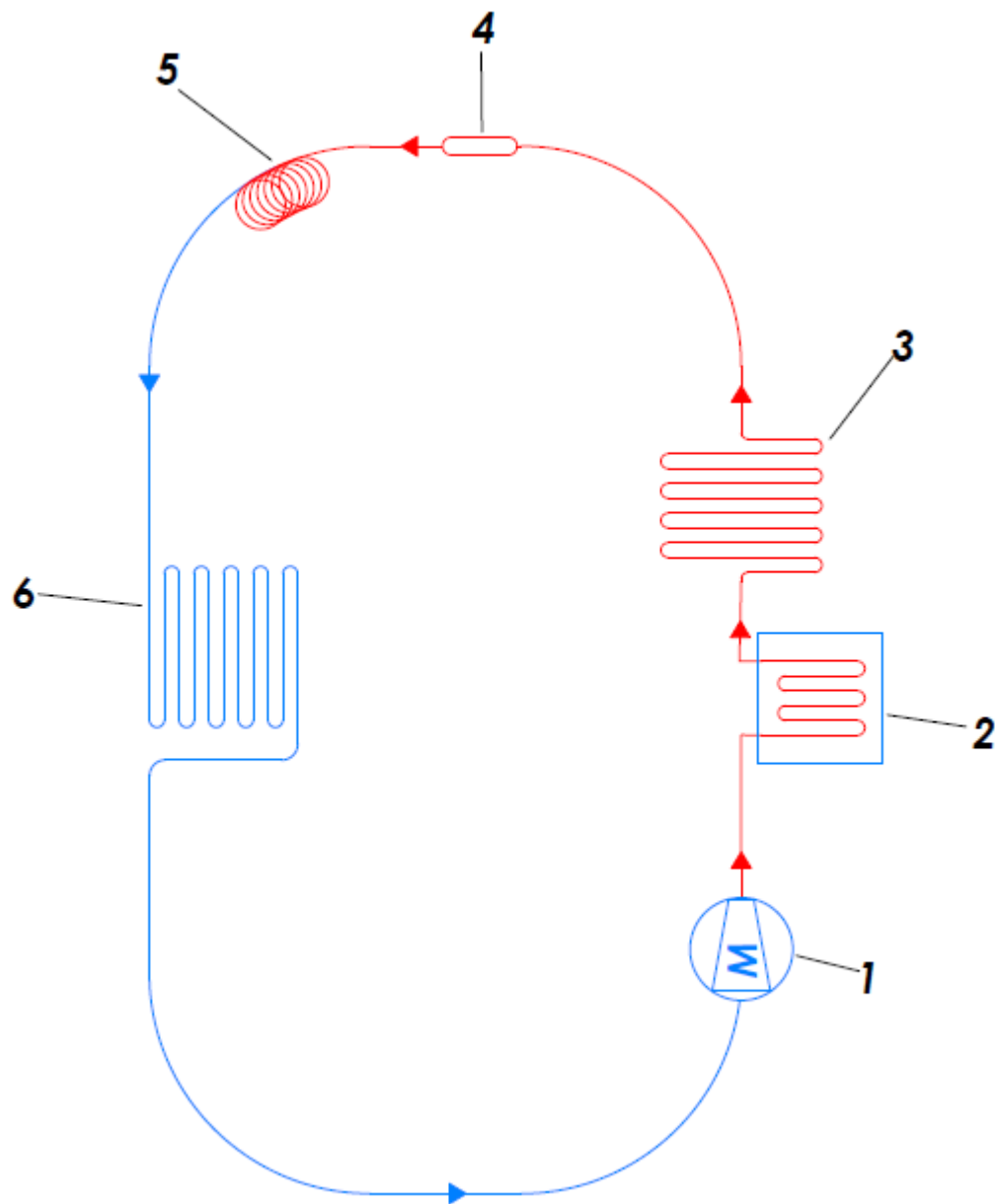
# HOSHIZAKI Snowflake GII



SCR-225DG



Standard kølesystem



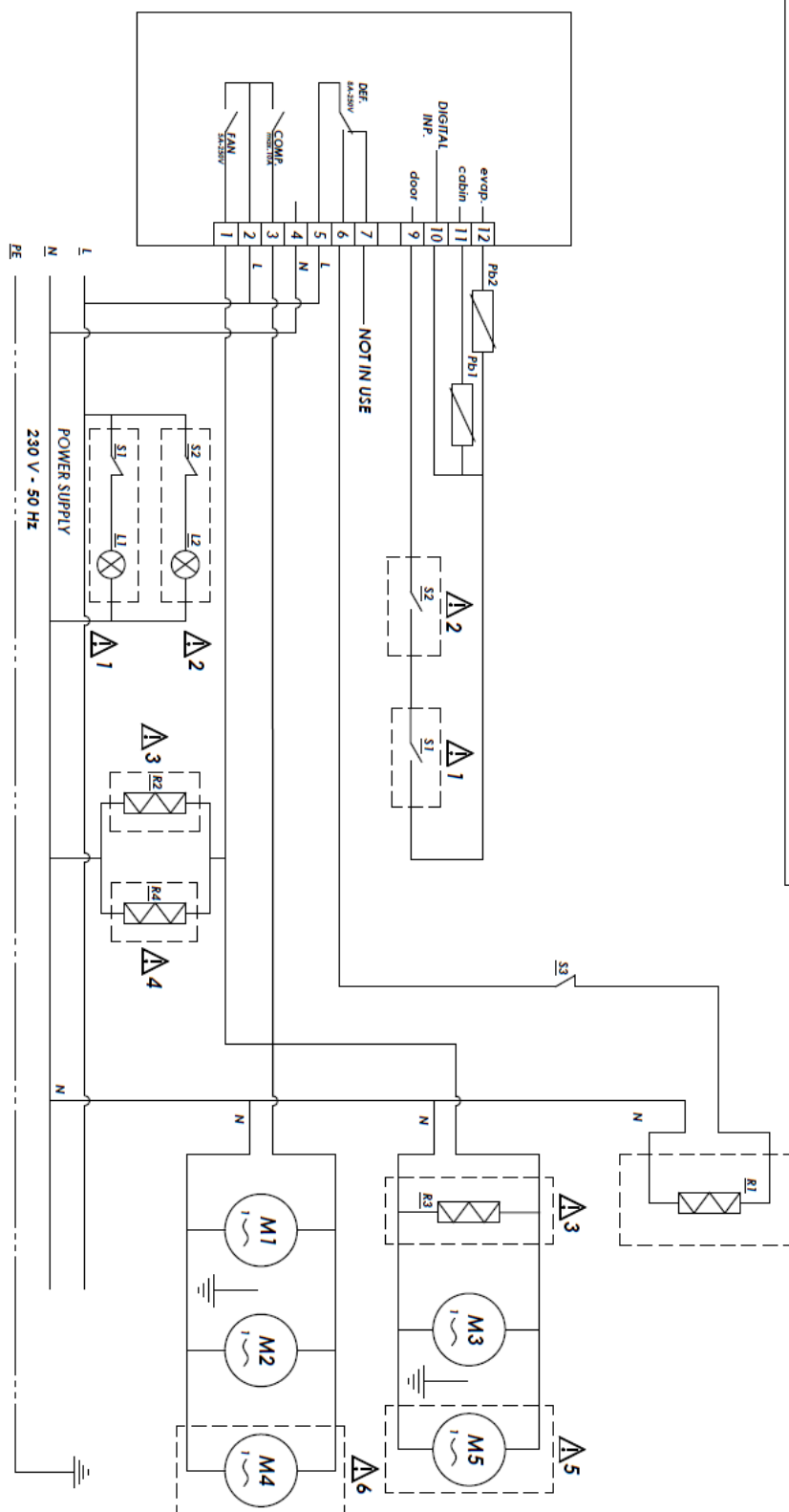
- 1 kompressor
- 2 afløbsbakke (2 stk. til dobbelt dørfrysere)
- 3 kondensator
- 4 tørrefilter
- 5 kapillarrør
- 6 fordamper



# HOSHIZAKI Snowflake GII

## TEKNISKE ELEMENTER – ELEKTRICITET

### EVCO EV3B23N7 Models Digital Thermostat



#### DESCRIPTIONS

- △1 Available only on SUR/SUF 135.
  - △2 Not available on counter type models.
  - △3 Available only on SUF 65
  - △4 △5 △6 Available only on double door freezer
- S1: Door Switch 1
  - S2: Door Switch 2
  - S3: Thermal Protector
  - M1: Compressor
  - M2, M4: Condenser Fan
  - M3, M5: Evaporator Fan
  - Pb1: Cabin Probe
  - Pb2: Evaporator Probe
- R1: Defrost Heater
  - R2, R4: Drain Line Heater
  - R3: Door frame cable heater
  - L1/L2: Led light



### V. DIAGNOSTICERING AF TJENESTE

Tabellen nedenfor viser en række problemer, som du kan støde på. Hvis en alarm kode vises, er der opstået en fejl. Afhjælp eventuelle årsager, før produktet forsøges genstartet. Potentielle årsager og afhjælpning er anført nedenfor.

Hvis en fejlkode fortsætter, efter udførelse af kontrollerne nedenfor, bør der tages kontakt til en autoriseret service tekniker. Der oplyses fejl alarm, eventuelle observationer, samt oplysninger om produkttype, model og serienummer, som alle kan findes på produktets typenummer skilt.

PROBLEM	MULIG ÅRSAG	AFHJÆLPNING
Produktet starter ikke	Der er ikke strøm til produktet	Kontroller el-ledning og forbindelse
Kompressor kører konstant	Omgivende temperatur er for høj	Ventilation skal forbedres
	Kondensator er blokeret	Kontrollér og rengør kondensator regelmæssigt
	Lav kølemiddel fyldning	Ring til autoriseret service tekniker for at kontrol for lækage
	Tætningslister forseglers ikke korrekt	Ring til autoriseret service tekniker for at udskifte tætningslister
	Fordamper er tiliset	Anbring aldrig varme fødevarer i produktet Placer ikke fødevarer med højt vandindhold i produktet, medmindre de opbevares i forseglede beholdere Start en manuel afrimningscyklus
Overløb af vand fra genfordampningsbakken	Hyppig placering af varme fødevarer i produktet	Anbring aldrig varme fødevarer i produktet
		Placer ikke fødevarer med højt vandindhold i produktet, medmindre de opbevares i forseglede beholdere
	Hyppig åbning af dør eller skuffer	Afklar om brugen af skabet overstiger det specificerede
Produkttemperaturen er for høj	Kondensator er blokeret med snavs	Kontrollér og rengør kondensator regelmæssigt
	Luftstrømmen i produktet er blokeret	Fjern fødevarer, som blokerer luftstrømmen
	Omgivende luft går ind i produktet	Sørg for, at dør og skuffer er lukket
		Check for beskadigelse af tætningslister på døre/skuffer
Fordamper er tiliset	Kontakt en autoriseret service tekniker Udfør en manuel afrimningscyklus	



## VI. FJERNELSE OG UDSKIFTNING

### UDSKIFTNING AF DEN INDVENDIGE LED PÆRE

- Sluk for strømmen ved stikkontakten eller tag el-ledningen ud af stikkontakten.
- Åbn lågen.
- Fjern skruen, som fastgør baldakinen, og løft derefter baldakinen.
- Sørg for, at den nye pære har samme specifikation som den gamle pære. Spænding og wattforbrug er trykt på pæren.
- Fjern og udskift LED pæren.

### BORTSKAFFELSE AF PRODUKT

- Det anvendte kølemiddel, kan identificeres på produktets typeskilt.
- Produktet er fremstillet af genanvendelige materialer i overensstemmelse med EU-reglerne. I slutningen af sit økonomiske liv skal produktet derfor overføres til det relevante genbrugscenter til bortskaffelse.
- Produktet må ikke genbruges som metal eller husholdningsaffald.
- Undlad at komprimere køleanlæggets kølekredsløb.

### VIGTIGT

Når det udtjente produkt skal bortskaffes, skal det ske på en miljømæssig korrekt og forsvarlig måde.

Elektrisk og elektronisk udstyr (EEE) indeholder materialer, komponenter og stoffer, der kan være farlige og skadelige for menneskers sundhed og for miljøet, når affaldet af elektrisk og elektronisk udstyr (WEEE) ikke bortskaffes korrekt.

Produkter, der er mærket med den "overkrydsede skraldespand", er elektrisk og elektronisk udstyr. Den krydsede skraldespand symboliserer, at affald af elektrisk og elektronisk udstyr ikke må bortskaffes sammen med usorteret husholdningsaffald, men skal indsamles særskilt.

Til dette formål har alle kommuner etableret indsamlingsordninger, hvor affald af elektrisk og elektronisk udstyr gratis kan afleveres af borgerne på genbrugsstationer eller andre indsamlingssteder eller hentes direkte fra husholdningerne. Nærmere information skal indhentes hos kommunens tekniske forvaltning.

For yderligere oplysning om bortskaffelse, kontakt din forhandler.

# HOSHIZAKI

## Snowflake GII

---



Alle rettigheder forbeholdes

Hoshizaki forbeholder sig ret til at ændre alle specifikationer og oplysninger i denne manual.

### Kontaktoplysninger

#### **Hovedkvarter Hoshizaki Europe B.V. Tlf.: + 31 20 691 8499**

Sales@hoshizaki.nl <http://hoshizaki-europe.com/>

Filialer

Hoshizaki UK-UK, Irland

TLF.: + 44 845 456 0585

uksales@hoshizaki.co.uk

#### **Hoshizaki Deutschland-Tyskland, Schweiz, Østrig**

TLF.: + 49 2154 92810, + 49 5066 604612

info@hoshizaki.de

#### **Hoshizaki BENELUX-Nederlandene, Belgien, Luxembourg**

TLF.: + 31 20 565 0420, + 31 54 645 4252

sales@hoshizaki.nl

#### **Hoshizaki Frankrig-Frankrig**

TLF.: + 33 1 48 63 93 80

info@hoshizaki.fr

#### **Hoshizaki Iberia-Spanien, Portugal**

TLF.: + 34 93 478 09 52

info@hoshizaki.es

#### **Hoshizaki Mellempøsten-Mellempøsten**

TLF.: + 971 48 876 612

sales@hoshizaki.ae

#### **Hoshizaki Danmark – Danmark, Norge, Sverige**

TLF.: + 45 8988 5350

salg@hoshizaki.dk

#### **Hoshizaki Europe B. V – alle andre lande i Europa og Afrika**

TLF.: + 31 20 565 0420

sales@hoshizaki.nl

# **HOSHIZAKI**

## **Snowflake GII**

---

