



OA8917 - Lincat Opus 800 Free-standing Floor Stand with Legs - for units W 600 mm

This Opus 800 Series floor stand is designed to support and integrate with 600mm wide Opus counter top models (excluding salamanders and gas chargrills) allowing products to suite perfectly together.

- ✔ Designed to suite with the Opus 800 series
- ✔ Suitable for Opus 800 counter top models*
- ✔ Adjustable legs for perfect alignment even on uneven floors
- ✔ *excluding salamanders and gas chargrills please see relevant product for alternatives

Specifications

Summary

Brand	Lincat
Range	Opus 800
Unit Type	Free-standing
Available in UK Only	No
UK Warranty	2 Years Parts and Labour Warranty
Export Warranty	Contact your local dealer
GTIN	5056105106340

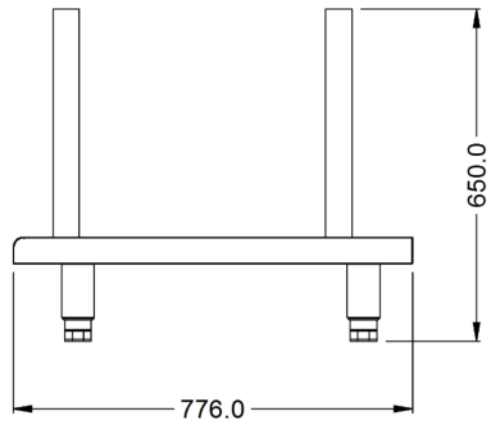
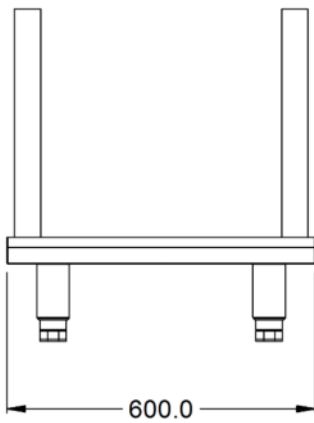
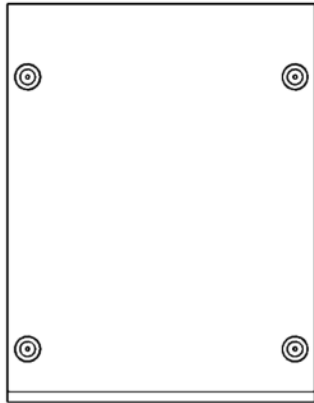
Weights and Dimensions

Unit Height (External) mm	650
Unit Width (External) mm	600
Unit Depth (External) mm	776
Net Weight Kg	17

Shipping

Packed Weight Kg	18.7
Packed Height cm	8
Packed Width cm	65
Packed Depth cm	83

Technical Picture



Lincat Limited

Whisby Road,
Lincoln, LN6 3QZ,
United Kingdom

Company No: 2175448

A member company of



Customer Care

Tel: +44 1522 875500
Email: care@lincat.co.uk

Export Customers

Tel: +44 1522 875536
Email: export@lincat.co.uk

Opening Hours

Monday – Friday:
8.30am – 5pm