

Falcon Xpress Ovens



Falcon Xpress MXP | Heavy Volume
This category of high speed oven is ideal for...

Applications

- Theatres
- Convenience Stores
- Satellite Locations
- Healthcare
- Stadiums
- Pizzerias
- Hotel Room Service
- University Dining
- Snack Bars

Through put potential (per hour)

Food item	QTY per hour
12" frozen pizza	21
Toasted sandwiches	80+
Grilled fresh Salmon	28
Toasted Bagel	120
Chicken wings	24
Quesadillas	70

Location of Oven(s):

- Kitchen countertop, single or stacked
- Kitchen shelf
- Equipment stand

All Falcon Xpress products are supported by our culinary team. Do not hesitate to contact us for any questions regarding food preparation, menu development and cooking times:

chef@falconfoodservice.com



Falcon Xpress MXP

High Speed Oven

Superior cooking results **FAST!**

- 2000W impingement enhances browning. Easily adjustable 0-100% fan speed
- 95° - 270°C convection temperature range
- 3000W Infra-red radiant enhances toasting, browning, and crisping
- 2000 - 2200W dual side antenna feed microwave system heats quickly reduces cooking time

Simplifies cooking

- True-Touch™ HD Touchscreen. Fully customisable 7" smartphone-like display
- Catalytic converter built-in for ventless operation
- Large interior easily accommodates a 14" pizza

Multi-language universal operation, with programming flexibility

- Touchscreen and programming software supports 25 languages
- Image-based menu selection eliminates language and literary barriers
- Connectivity Standard: WiFi, Ethernet, and Smart USB standard

Cuts Costs

- Uses less energy than a conventional oven
- Eliminates need for pre-cooking and holding
- Uses standard metal trays, pans and screens

Safe operation and simple cleaning

- Inner door drops down below cooking surface for safe removal of food from cavity
- Porcelain IR element cover enhances operator safety and simplifies maintenance
- Infra-red element tilts-up for cleaning
- Non-stick oven liners available for easy cleaning
- Two removable, cleanable, and reusable air filters protect oven components

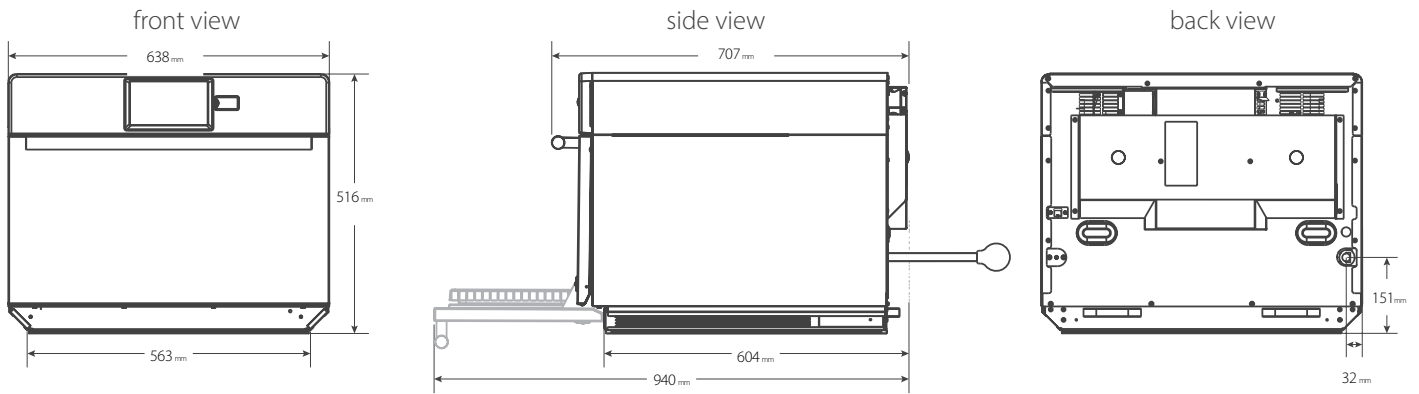
Included Accessories:

- Oven paddle (PA10)
- Non-stick liners (TL10)

Optional Accessories

- Panini grill plate (GR10)
- Panini Press (PRS10)
- Pizza Stone (ST10X)
- Square metal pan (SQ10)
- 10cm Leg kit (LG10)
- Non-stick baskets
- Stainless cart/equipment stands:
- Oven Cleaner and Shield Protectant

Falcon Xpress MXP | High Speed Oven



Dimensions

Exterior	H 516	W 638	D† 707
Oven	H 254	W 406	D 381
Usable Oven Space	39 litres		
Door Depth	940, drop down door		
Installation Clearances	Top: 51	Sides: 25	Back: None
Shipping Carton	H 622	W 879	D 828

Weight

Product Weight	68 kg
Ship weight (approx.)	79 kg

A type D circuit breaker should be installed for all high-speed oven installations.

Measurements are millimeters.

* IEC 60705 Tested



† Includes handle

‡ Catalytic convertor filters grease and odors from the air. This product conforms to the Ventless Operation Recommendations set forth by NFPA96 using EPA202 test method

Features

Configuration	Countertop
Stackable	Yes
Display	7" Capacitive Touch, High resolution LCD display
USB Port	Yes
Connectivity	Wifi and Ethernet
Program Menu	Tab & Multi-level menu capability
Menu Capacity	1200+ items
Max. Cooking Time	99:99
Temperature Range	95° - 270°C
Microwave Distribution	Double side oscillating antenna
Fan Speed	0-100%
Power Levels	11
Defrost	Yes, microwave only, power level 2
Time Entry Option	Yes
Stage Cooking	Yes, 4
Catalytic Converter	Yes‡
Air Filter	2 removable, with clean filter reminder
Rack	1 rack position, removable
Door Opening	Pull down, ergonomic handle
Exterior Finish	Stainless steel & Painted Steel
Interior Finish	Stainless steel

Electrical Configuration

Model Number / Product Code	Power Consumption	Power Output/Cooking Power			Power Source	Plug Configuration	Cord Length	Frequency	Magnetron
		Impingement	IR-Radiant	Microwave					
MXP5221TLTF 710636512	5800 W, 27.4 A	2000 W	3000 W	2200 W*	230-240 V, 50 Hz, 32 A, single phase	IEC 309 	2.4 m	2450MHz	2
MXP5223TLTF 710636612	5800 W, 16 A	2000 W	3000 W	2200 W*	400 V, 50 Hz, 16 A, 3 phase, 5 wire	IEC 309 	2.4 m	2450MHz	2



Falcon Foodservice Equipment, Wallace View, Hillfoots Road, Stirling, FK9 5PY, Scotland, UK
 t: (0)1786 455200 info@falconfoodservice.com www.falconfoodservice.com