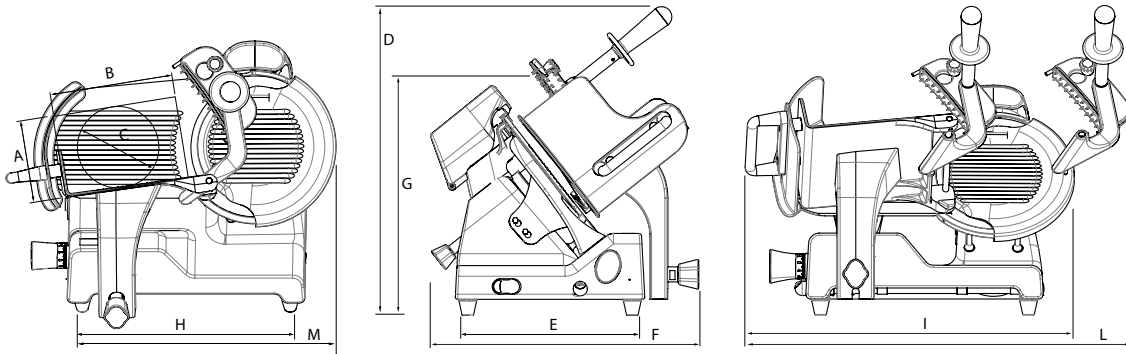


DATA SHEET

FUTURA GRAVITÀ



SPECIFICATIONS	M	L	XL
Circular cutting capacity	198 mm	230 mm	264 mm
Rectangular cutting capacity	252x149h mm	285x215h mm	310x250h mm
Max slice thickness	17 mm	17 mm	17 mm
Motor rating	0,18 kW - na	0,24 kW - 0,27 kW	0,55 kW - 0,55 kW
Blade diameter	280 mm	315 mm	360 mm
Electrical specifications	230V 50Hz - 1phase 400V 50Hz - 3phase	230V 50Hz - 1phase 400V 50Hz - 3phase	230V 50Hz - 1phase 400V 50Hz - 3phase
	available also with 110V - 60Hz		
Weight	28 kg	34 kg	40 kg

DIMENSIONS	L	M	XL
A	149 mm	215 mm	250 mm
B	252 mm	285 mm	310 mm
C	198 mm	230 mm	264 mm
D	577 mm	640 mm	665 mm
E	326 mm	375 mm	420 mm
F	535 mm	590 mm	620 mm
G	482 mm	510 mm	540 mm
H	413 mm	453 mm	535 mm
I	665 mm	714 mm	805 mm
L	795 mm	833 mm	930 mm
M	635 mm	690 mm	780 mm

SHIPPING SPECIFICATIONS (packaging)	L	M	XL
Length	750 mm	870 mm	900 mm
Depth	630 mm	750 mm	800 mm
Height	600 mm	670 mm	670 mm
Weight	34 kg	40 kg	46 kg

Note: As we actually strive to improve our products, specifications are necessarily subject to change without notice.