

BARRIER POST (Retractable Belt) SPECIFICATION

2 no. HBPR Barrier Posts Shown.

- ✓ A free standing barrier post with an integral retracting 2M belt, to create a stable long-lasting barrier for situations that require a stable, long-lasting waiting line and crowd control solution.
- ✓ S/steel mirror finish post and base with an integral belt & four direction fastening head on the post top.
- ✓ Weighted stable base with integral rubber gasket, prevents floor damage.
- ✓ Barrier post height 1060mm
- ✓ Retractable belt end can be locked to the adjoining post receiver, to prevent mis-use.
- ✓ Barrier post base diameter 320mm.
- ✓ Barrier post is available with red or black retracting belt: 2m long x 50mm wide.
- ✓ OPTION: Barrier post with electronic hands free dispenser (alcohol gel):
- ✓ OPTION: Barrier post with A4 vertical sign holder available.
- ✓ Sign holder post option in chrome finish.
- ✓ Easily installed in many locations, as no electrical connection is required.



Barrier Equipment

BARRIER POSTS (Retractable Belt)



- * Barrier Post (Retractable Belt)
- * Elegant Mirror Steel Finish
- * 4 Way Belt Connector
- * 2M (L) Lockable Belt
- * Red Or Black Belt
- * Electronic Sanitising Dispenser Option Available
- * A4 Sign Holders Available
- * Solid Weighted Base
- * Won't Damage Floors

Code	Description	Post Size (mm)	Weight (kg)
HBPR	1 no. Barrier Post (Red Retractable Belt) S/S Mirror Finish	1060(h) x Ø63(w) x Ø320 (base)	6.8
HBPB	1 no. Barrier Post (Black Retractable Belt) S/S Mirror Finish	1060(h) x Ø63(w) x Ø320 (base)	6.8



Barrier Posts & Retractable Belts.

CED's elegant mirror finished stainless steel barrier posts with their integral retractable belts, are specially designed to help form waiting lines, direct the flow of crowds, control access and enhance safety. These robust, independent and flexible barrier solutions clearly identify waiting areas and can be inter-connected in four different directions, via the four way s/steel rope hook receiver on the post top.

Eye Catching Features. The solid, weighted, stable post base is hidden under a mirror finish outer cover. The base features an integral rubber gasket which prevents floor damage. The posts are linked together with retractable 50mm wide barrier belts, to cordon off the desired space. You can choose between classic red or black belts. Each tape is 2M long and features lockable connection clips that slot onto the adjoining post, for a simple post connection. Just turn the top of the connection clip to lock it to the four way connection point on the post top.

BARRIER POST (Retractable Belt) & ELECTRONIC SANITISER DISPENSER (Alcohol Gel)

Code	Description	Post Size (mm)	Weight (kg)
HBPRESD	1 no. Barrier Post (Red Retractable Belt) & Elec. Dispenser	1060 + 240(h) x Ø63(w) x Ø320 (base)	7.8
HBPBESD	1 no. Barrier Post (Black Retractable Belt) & Elec. Dispenser	1060 + 240(h) x Ø63(w) x Ø320 (base)	7.8
ESPDP	OPTION: Dispenser 2M Plug (1.3A 230v)	*Uses 4 x AA Batteries Not Supplied*	



Barrier Post & A4 Sign Holder. The simple push fit cap locates the sign holder on the barrier post. The post can then be used as a barrier and also a communication point for your customers! The A4 size, chrome finished sign holder is waterproof and portrait orientation. The visible printable area is 208 mm (w) x 295 mm (h)

Barrier Post & Electronic Sanitiser Dispenser (Alcohol Gel). The same simple push fit cap locates the hands free sanitiser dispenser on the barrier post. The 600ml dispenser delivers approx. 500 doses and uses 4 x AA batteries (not supplied). An optional **electrical plug** – Lead Length (2 M) is available (Code ESPDP)



HBPRESD (Left), HBPRSH (Right) Shown.

Health & Safety. Barrier posts provide an ideal solution for risk assessments, undertaken by businesses in compliance with the FDA June 2020 UK Government Guidance 'Keeping workers and customers safe during COVID-19 in restaurants, pubs, bars and takeaway services'.



Electronic Sanitiser: Push-Fit Connection On Post Top.



A4 Sign Holder: Push-Fit Connection On Post Top.

BARRIER POST (Retractable Belt) & A4 SIGN HOLDER (Portrait).

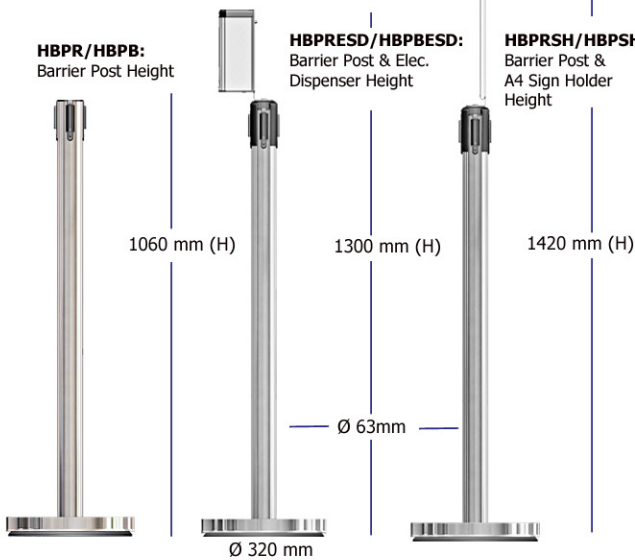
Code	Description	Post Size (mm)	Weight (kg)
HBPRSH	1 no. Barrier Post (Red Retractable Belt) & A4 Sign Holder	1060 + 360(h) x Ø63(w) x Ø320 (base)	8.8
HBPBSH	1 no. Barrier Post (Black Retractable Belt) & A4 Sign Holder	1060 + 360(h) x Ø63(w) x Ø320 (base)	8.8



HBPR/HBPB: Barrier Post Height

HBPRESD/HBPBESD: Barrier Post & Elec. Dispenser Height

HBPRSH/HBPBSH: Barrier Post & A4 Sign Holder Height



Other CED Hygiene & Barrier Equipment



Guide Posts Ropes/ Hooks

Sanitisers Hands Free

Wall Mounted Barriers + Sanitisers

Sign Holders Post Mounted

Sanitisers Pump Dispensers



CED Fabrications Limited
Units A1-A4 Falcon Court
Clayton Business Park
Clayton-Le-Moors
Hyndburn
Lancashire
BB5 5JD
www.cedfabsltd.co.uk
sales@cedlimited.com

Download All Technical Drawings From
www.cedfabsltd.co.uk

Tel : 01254 238 282