



People who serve, products that solve.®

## GLO-MAX® Heated Display

GMHD-2PT

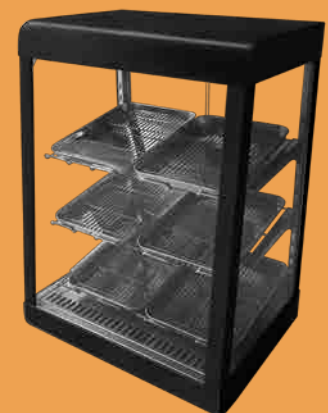


Hatco GLO-MAX® Heated Display Cases are designed to hold prepared foods for prolonged periods of time while maintaining that “just made” quality. Hatco Heated Display Cases provide the best environment for food products by regulating the air temperature and providing humidity. The use of controlled heat maintains serving temperature and texture longer than conventional holding equipment.

Hatco GLO-MAX® Heated Display Cases are products of extensive research and field testing. The materials used were selected for maximum durability, attractive appearance, and optimum performance. Every unit is inspected and tested thoroughly prior to shipment.

### Features:

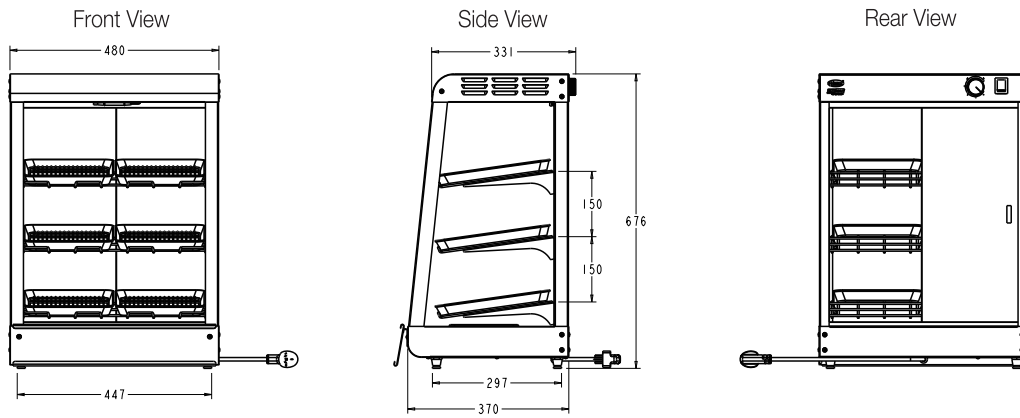
- Height adjustable shelves
- Shelves can be adjusted horizontally or slanted on site
- Water pan to provide humidity for more than 4 hours
- Thermostatic mechanical heat control
- Sign holder as standard accessory
- Optional black powder coating.





# GLO-MAX<sup>®</sup> Heated Display

## GMHD-2PT



GMHD-2PT

### SPECIFICATIONS

Model	Volts	Watt
GMHD-2PT	220-230 VAC (CE)	615-670 W
GMHD-2PT	120 VAC (CE)	615-670 W

### DIMENSIONS

480mm W x 400mm D x 676mm H

### CORD LOCATION

Back center

### PLUG CONFIGURATIONS

CCC 10A/ BS-1363/ CEE 7/7 Schuko

